

Dell™ Systems

# Rack Installation Guide

Guide d'installation du rack

Rack-Installationsanleitung

ラック取り付けガイド

Guía de instalación del estante





Dell™ Systems

# Rack Installation Guide



# Notes, Notices, and Cautions



**NOTE:** A NOTE indicates important information that helps you make better use of your computer.



**NOTICE:** A NOTICE indicates either potential damage to hardware or loss of data and tells you how to avoid the problem.



**CAUTION:** A CAUTION indicates a potential for property damage, personal injury, or death.

---

**Information in this document is subject to change without notice.**

**© 2002 Dell Computer Corporation. All rights reserved.**

Reproduction in any manner whatsoever without the written permission of Dell Computer Corporation is strictly forbidden.

Trademarks used in this text: *Dell*, the *DELL* logo, *RapidRails*, and *VersaRails* are trademarks of Dell Computer Corporation.

Other trademarks and trade names may be used in this document to refer to either the entities claiming the marks and names or their products. Dell Computer Corporation disclaims any proprietary interest in trademarks and trade names other than its own.

# Contents

<b>CAUTION: Safety Instructions</b> . . . . .	<b>1-1</b>
Rack Mounting of Systems. . . . .	1-1
<b>Installation Instructions</b> . . . . .	<b>1-2</b>
<b>Four-Post Rack Installation</b> . . . . .	<b>1-3</b>
Before You Begin . . . . .	1-3
Recommended Tools and Supplies . . . . .	1-4
RapidRails Rack Kit Contents . . . . .	1-4
VersaRails Rack Kit Contents . . . . .	1-5
Installation Tasks . . . . .	1-5
Removing the Rack Doors . . . . .	1-6
Marking the Rack . . . . .	1-6
Installing the RapidRails Slide Assemblies . . . . .	1-8
Installing the VersaRails Slide Assemblies . . . . .	1-10
Installing the System in the Rack . . . . .	1-11
Installing the Cable-Management Arm. . . . .	1-13
Routing Cables . . . . .	1-16
Replacing the Rack Doors . . . . .	1-17
<b>Two-Post Rack Installation</b> . . . . .	<b>1-18</b>
Two-Post Rack Installation Tasks . . . . .	1-18
Recommended Tools and Supplies . . . . .	1-19
Rack Kit Contents . . . . .	1-19
Marking the Rack . . . . .	1-20
Installing the Slide Assemblies in the Rack. . . . .	1-22
Installing the System in the Rack . . . . .	1-27
Installing the Cable-Management Arm. . . . .	1-27
Routing Cables . . . . .	1-27

## Figures

Figure 1-1.	RapidRails Rack Kit Contents . . . . .	1-4
Figure 1-2.	VersaRails Rack Kit Contents . . . . .	1-5
Figure 1-3.	One Rack Unit . . . . .	1-7
Figure 1-4.	Marking the Vertical Rails . . . . .	1-8
Figure 1-5.	Installing the RapidRails Slide Assemblies . . . . .	1-9
Figure 1-6.	Installing the VersaRails Slide Assemblies . . . . .	1-11
Figure 1-7.	Installing the System in the Rack (RapidRails or VersaRails) . . . . .	1-12
Figure 1-8.	Installing the Cable-Management Arm . . . . .	1-14
Figure 1-9.	Installing the Cable-Management Arm . . . . .	1-15
Figure 1-10.	Routing the Power Cords . . . . .	1-16
Figure 1-11.	Routing Cables . . . . .	1-17
Figure 1-12.	Two-Post Rack Kit Components . . . . .	1-19
Figure 1-13.	Two-Post, Open-Frame Relay Rack Universal-Hole Spacing . . . . .	1-20
Figure 1-14.	Two-Post, Open-Frame Relay Rack Wide-Hole Spacing . . . . .	1-21
Figure 1-15.	Installing the Slide Assemblies for Center-Mount Configuration . . . . .	1-23
Figure 1-16.	Rotating the Front Mounting Bracket for Flush-Mount Installation . . . . .	1-25
Figure 1-17.	Installing the Slide Assemblies for Flush-Mount Configuration . . . . .	1-26


# **CAUTION: Safety Instructions**

Use the following safety guidelines to help ensure your own personal safety and to help protect your system and working environment from potential damage. For complete safety information, see the *System Information Guide*.


## **Rack Mounting of Systems**

Observe the following precautions for rack stability and safety.


Systems are considered to be components in a rack. Thus, "component" refers to any system as well as to various peripherals or supporting hardware.

 **CAUTION: Installing systems in a rack without the front and side stabilizers installed could cause the rack to tip over, potentially resulting in bodily injury under certain circumstances. Therefore, always install the stabilizers before installing components in the rack.**

**After installing system/components in a rack, never pull more than one component out of the rack on its slide assemblies at one time. The weight of more than one extended component could cause the rack to tip over and may result in serious injury.**

 **NOTE:** Your system is safety-certified as a free-standing unit and as a component for use in a Dell™ rack cabinet using the customer rack kit. The installation of your system and rack kit in any other rack cabinet has not been approved by any safety agencies. It is your responsibility to ensure that the final combination of system and rack complies with all applicable safety standards and local electric code requirements. Dell disclaims all liability and warranties in connection with such combinations.

- System rack kits are intended to be installed in a rack by trained service technicians. If you install the kit in any other rack, be sure that the rack meets the specifications of a Dell rack.

 **CAUTION: Do not move racks by yourself. Due to the height and weight of the rack, a minimum of two people should accomplish this task.**

- Before working on the rack, make sure that the stabilizers are secured to the rack, extended to the floor, and that the full weight of the rack rests on the floor. Install front and side stabilizers on a single rack or front stabilizers for joined multiple racks before working on the rack.
- Always load the rack from the bottom up, and load the heaviest item in the rack first.
- Make sure that the rack is level and stable before extending a component from the rack.

## **CAUTION: Safety Instructions (*continued*)**

- Use caution when pressing the component rail release latches and sliding a component into or out of a rack; the slide rails can pinch your fingers.
- After a component is inserted into the rack, carefully extend the rail into a locking position, and then slide the component into the rack.
- Do not overload the AC supply branch circuit that provides power to the rack. The total rack load should not exceed 80 percent of the branch circuit rating.
- Ensure that proper airflow is provided to components in the rack.
- Do not step on or stand on any component when servicing other components in a rack.

## Installation Instructions


This installation guide provides instructions for trained service technicians installing one or more systems in an open-frame relay rack or in a rack cabinet. The RapidRails™ rack kit can be installed in all the manufacturer's rack cabinets without tools, and the VersaRails™ rack kit can be installed in many industry-standard rack cabinets. The procedures for installing both RapidRails and VersaRails rack kits are similar. One rack kit is required for each system to be installed in the rack cabinet.

This guide includes procedures for the following rack kits:

- RapidRails kit in a four-post rack cabinet
- VersaRails kit in a four-post rack cabinet
- Two-post kit (installed in either center-mount or flush-mount configuration, for 3- or 6-inch-wide racks)


For ease in troubleshooting and the identification of system health, these rack kits include a status-indicator cable that extends the information on the two-color status indicators on the front and back panels to the back of the cable-management arm. For more information on these indicators, see your system *User's Guide*.

Before attempting this installation, you should read through this entire document carefully.

 **CAUTION: Do not install rack kit components designed for another system. Use only the rack kit for your system. Using the rack kit for another system may result in damage to the system and personal injury to yourself and to others.**



## Rack Requirements for VersaRails


 **NOTICE:** The VersaRails rack kit is intended to be installed by trained service technicians in a rack that meets the specifications of American National Standards Institute (ANSI)/Electronic Industries Association (EIA) standard ANSI/EIA-310-D-92, International Electrotechnical Commission (IEC) 297, and Deutsche Industrie Norm (DIN) 41494. One rack kit is required for each system that is installed in a rack.


# Four-Post Rack Installation

Before attempting this installation, you should read through this entire procedure carefully.

## Before You Begin


Before you begin installing your system in the rack, carefully read "CAUTION: Safety Instructions," found earlier in this guide, as well as the safety instructions found in your system's *System Information* document for additional information.

 **CAUTION:** When installing multiple systems in a rack, complete all of the procedures for the current system before attempting to install the next system.


 **CAUTION:** Rack cabinets can be extremely heavy and move easily on the casters. The cabinet has no brakes. Use extreme caution while moving the rack cabinet. Retract the leveling feet when relocating the rack cabinet. Avoid long or steep inclines or ramps where loss of cabinet control may occur. Extend the leveling feet for support and to prevent the cabinet from rolling.

## Important Safety Information

Observe the safety precautions in the following subsections when installing your system in the rack.

 **CAUTION:** You must strictly follow the procedures in this document to protect yourself as well as others who may be involved. Your system may be very large and heavy, and proper preparation and planning are important to prevent injury to yourself and to others. This becomes increasingly important when systems are installed high up in the rack.

## Rack Stabilizer Feet

 **CAUTION:** Installing systems in a rack without the front and side stabilizer feet installed could cause the rack to tip over, potentially resulting in bodily injury under certain circumstances. Therefore, always install the stabilizer feet before installing components in the rack.

**⚠ CAUTION:** After installing systems in a rack, never pull more than one system out of the rack on its slide assemblies at one time. The weight of more than one extended system could cause the rack to tip over and cause injury.

The stabilizer feet help prevent the rack from tipping over when a system or other component is pulled out of the rack with the slide assemblies fully extended. Refer to the documentation provided with the rack cabinet for instructions on installing and anchoring the stabilizer feet.

## Recommended Tools and Supplies

You may need the following tools and supplies to install the system in a four-post rack:

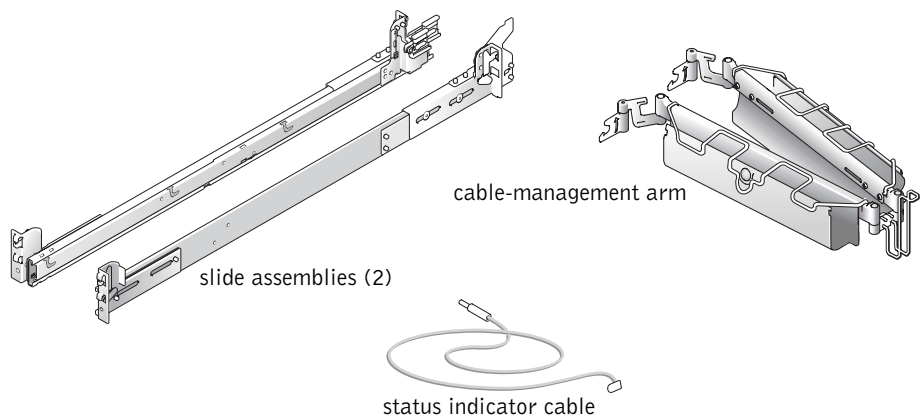
- A #2 Phillips screwdriver (for installing VersaRails slide assemblies)
- Masking tape or a felt-tip pen, for use in marking the mounting holes to be used

## RapidRails Rack Kit Contents

The RapidRails rack kit includes the following items (see Figure 1-1):

- One pair of RapidRails slide assemblies
- One cable-management arm
- One status indicator cable
- Tie-wraps (not shown in Figure 1-1)


**Figure 1-1. RapidRails Rack Kit Contents**



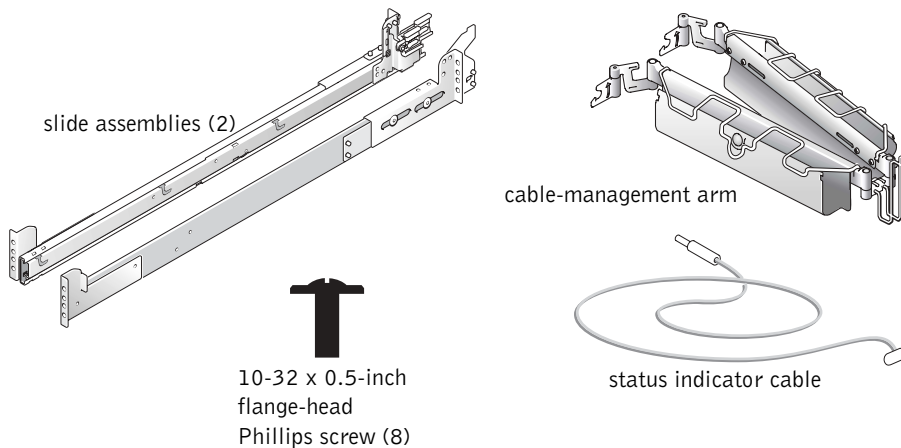
## VersaRails Rack Kit Contents

The VersaRails rack kit includes the following items (see Figure 1-2):

- One pair of VersaRails slide assemblies
- One cable-management arm
- One status indicator cable
- Eight 10-32 x 0.5-inch flange-head Phillips screws
- Tie-wraps (not shown in Figure 1-2)

 **NOTE:** The nonmetric screws described in illustrations and in procedural steps are identified by size and number of threads per inch. For example, a #10 Phillips-head screw with 32 threads per inch is identified as a 10-32 screw.

**Figure 1-2. VersaRails Rack Kit Contents**



## Installation Tasks


Installing a rack kit involves performing the following tasks in their numbered order:

- 1** Removing the rack doors
- 2** Marking the rack
- 3** Installing the slide assemblies in the rack:
  - RapidRails installation
  - VersaRails installation

- 4 Installing the system in the rack
- 5 Installing the cable-management arm
- 6 Routing cables
- 7 Replacing the rack doors

## Removing the Rack Doors


See the procedures for removing doors in the documentation provided with your rack cabinet.

 **CAUTION:** Because of the size and weight of the rack cabinet doors, never attempt to remove or install them by yourself.

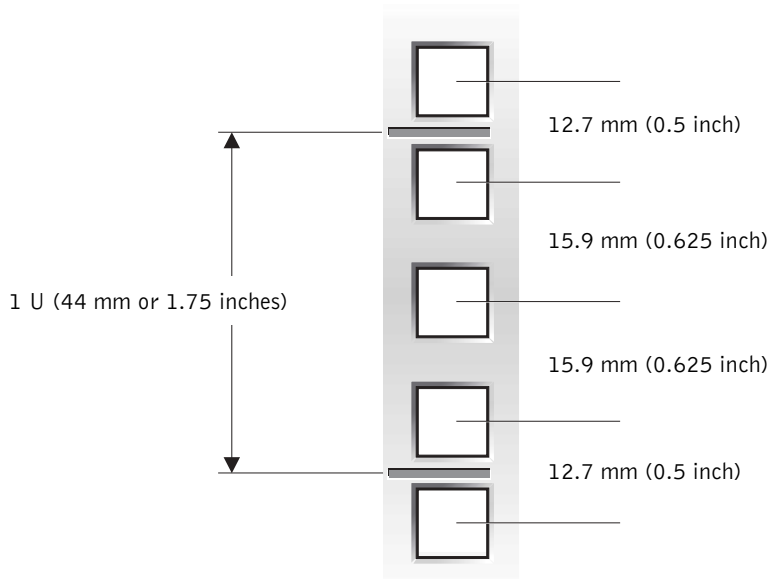
 **CAUTION:** Store the two doors where they will not injure someone if the doors accidentally fall over.

## Marking the Rack

You must allow 2 U (88 mm, or 3.5 inches) of vertical space for each system you install in the rack. Rack cabinets that meet EIA-310 standards have an alternating pattern of three holes per rack unit with center-to-center hole spacing (beginning at the top hole of a 1-U space) of 15.9 mm, 15.9 mm, and 12.7 mm (0.625 inch, 0.625 inch, and 0.5 inch) for the front and back vertical rails (see Figure 1-3). Rack cabinets may have round or square holes.

 **NOTE:** The vertical rails may be marked by horizontal lines and numbers in 1-U increments. If you wish, you can make a note of the number marking on the rack's vertical rail. It is not necessary to mark or place tape on the rack. If you choose this method, skip ahead to the procedure "Installing the RapidRails Slide Assemblies."

**Figure 1-3. One Rack Unit**



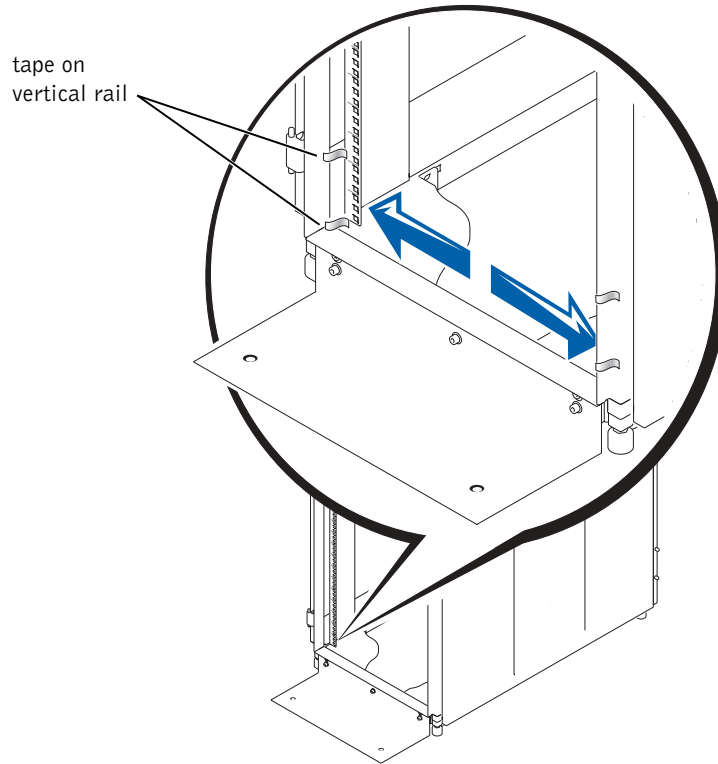
**⚠ CAUTION: If you are installing more than one system, install the slide assemblies so that the first system is installed in the lowest available position in the rack.**

To mark the rack, perform the following steps:

- 1 Place a mark on the rack's front vertical rails where you want to locate the bottom of the system you are installing in the rack cabinet.

The bottom of each 1-U space is at the middle of the narrowest metal area between holes (marked with a horizontal line on some rack cabinets—see Figure 1-4).

- 2 Place a mark 88 mm (3.5 inches) above the original mark you made (or count up six holes in a rack that meets EIA-310 standards) and mark the rack's front vertical rails with a felt-tipped pen or masking tape (if you counted holes, place a mark just above the top hole). This mark or piece of tape indicates where the system's upper edge will be located on the vertical rails (see Figure 1-4).

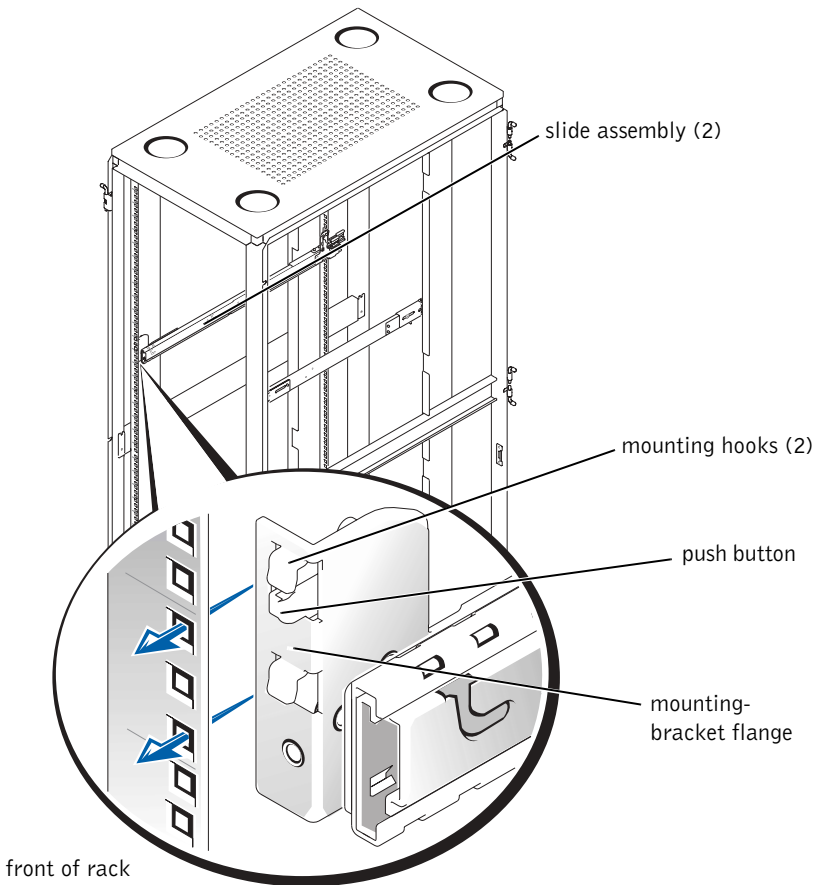
**Figure 1-4. Marking the Vertical Rails****Installing the RapidRails Slide Assemblies**

- 1** At the front of the rack cabinet, position one of the RapidRails slide assemblies so that its mounting-bracket flange fits between the marks or tape you placed on the rack (see Figure 1-5).

The top mounting hook on the slide assembly's front mounting bracket flange should enter the top hole between the marks you made on the vertical rails.

- 2** Push the slide assembly forward until the top mounting hook enters the top square hole that you placed a mark just above on the vertical rail, and then push down on the mounting-bracket flange until the mounting hooks seat in the square holes and the push button pops out and clicks (see Figure 1-5).

**Figure 1-5. Installing the RapidRails Slide Assemblies**



- 3** At the back of the cabinet, pull back on the mounting-bracket flange until the top mounting hook is in the top square hole, and then push down on the flange until the mounting hooks seat in the square holes and the push button pops out and clicks.
- 4** Repeat steps 1 through 3 for the slide assembly on the other side of the rack.
- 5** Ensure that the rails are mounted at the same vertical position on both sides of the rack.

## Installing the VersaRails Slide Assemblies

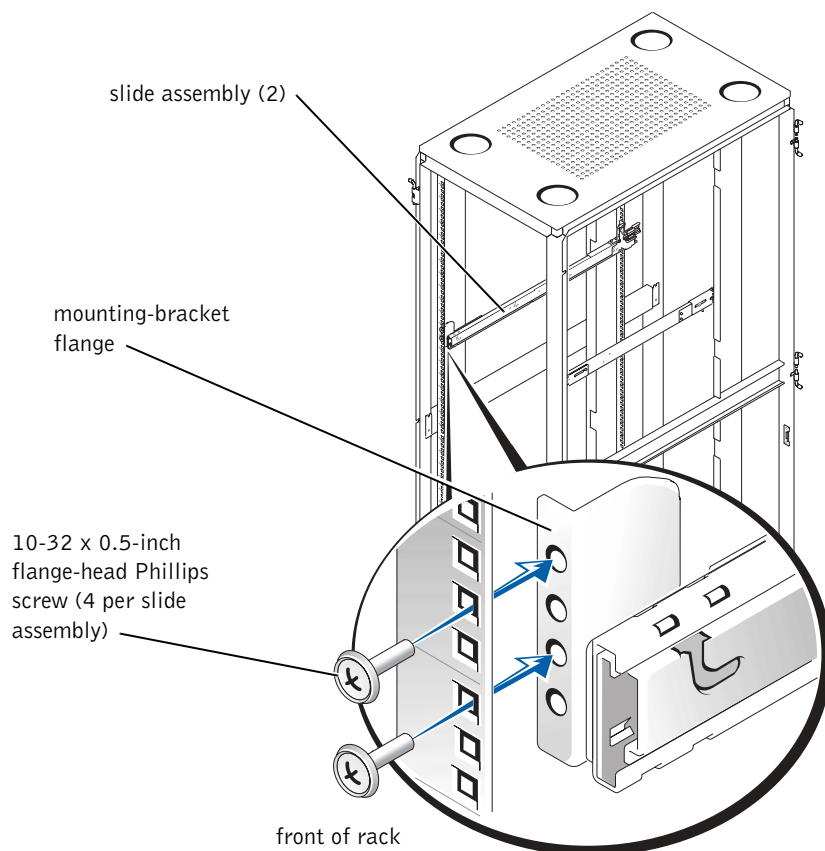
- 1** At the front of the rack cabinet, position one of the VersaRails slide assemblies so that its mounting-bracket flange fits between the marks or tape (or numbered location) on the rack (see Figure 1-6).

The four holes on the front of the mounting bracket should align with four of the holes between the marks you made on the front vertical rail.

- 2** Install two 10-32 x 0.5-inch flange-head Phillips screws in the mounting flange's top hole and the third-from-top hole to secure the slide assembly to the front vertical rail (see Figure 1-6).
- 3** At the back of the cabinet, pull back on the mounting-bracket flange until the mounting holes align with their respective holes on the back vertical rail.
- 4** Install two 10-32 x 0.5-inch flange-head Phillips screws in the back mounting flange's top and third-from-top holes to secure the slide assembly to the back vertical rail.
- 5** Repeat steps 1 through 4 for the slide assembly on the other side of the rack.
- 6** Ensure that the slide assemblies are mounted at the same position on the vertical rails on each side of the rack.



**Figure 1-6. Installing the VersaRails Slide Assemblies**



### Installing the System in the Rack

**⚠ CAUTION:** If you are installing more than one system, install the first system in the lowest available position in the rack.

**⚠ CAUTION:** Never pull more than one component out of the rack at a time.

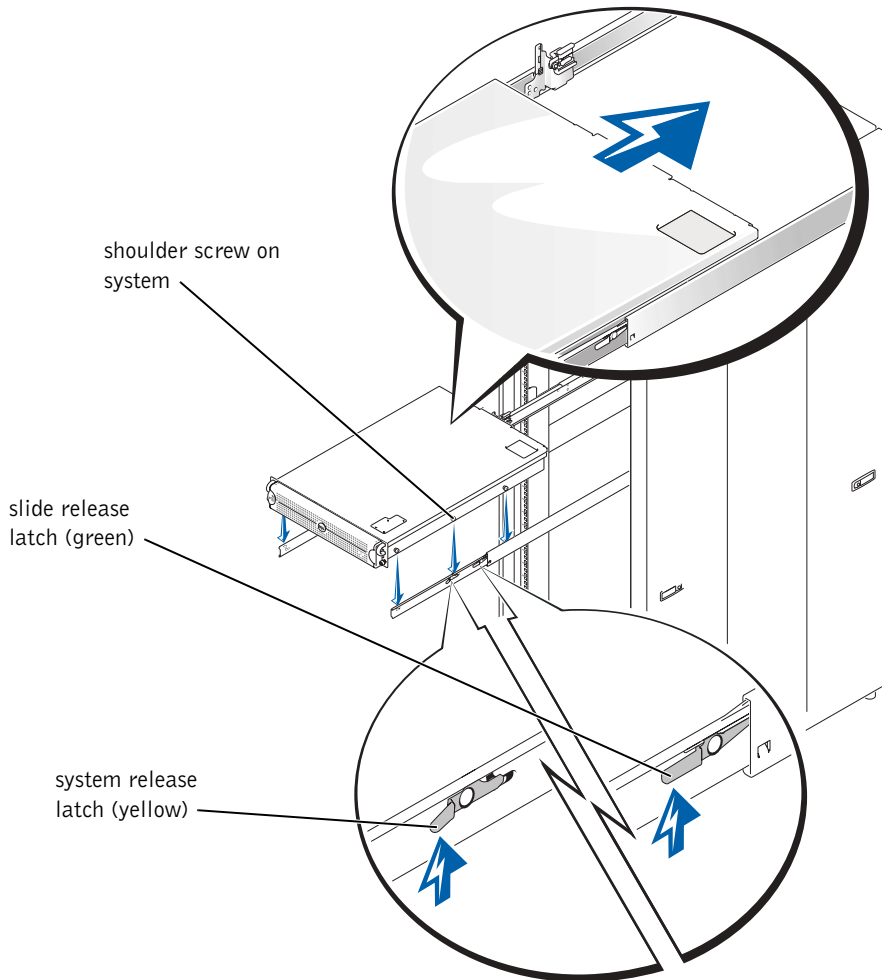
- 1 Pull the two slide assemblies out of the rack until they lock in the fully extended position.

**⚠ CAUTION:** Because of the size and weight of the system, never attempt to install the system in the slide assemblies by yourself.

- 2 Lift the system into position in front of the extended slides (see Figure 1-7).

- 3 Place one hand on the front-bottom of the system and the other hand on the back-bottom of the system.
- 4 Tilt the back of the system down while aligning the back shoulder screws on the sides of the system with the back slots on the slide assemblies.
- 5 Engage the back shoulder screws into their slots.

**Figure 1-7. Installing the System in the Rack (RapidRails or VersaRails)**



- 6 Lower the front of the system and engage the front and middle shoulder screws in their slots (the middle slot is just behind the yellow system release latch) (see Figure 1-7).

When all shoulder screws are properly seated, the yellow latch on each slide assembly clicks and locks the system into the slide assembly.

- 7 Press up on the green slide release latch at the side of each slide to slide the system completely into the rack (see Figure 1-7).
- 8 Push in and turn the captive thumbscrews on each side of the front chassis panel to secure the system to the rack.



**NOTE:** Use the yellow system release latch whenever you wish to remove the system from the slide assemblies.

## Installing the Cable-Management Arm



**NOTICE:** The cable-management arm can only be installed on the right side of the rack cabinet (as viewed from the back).

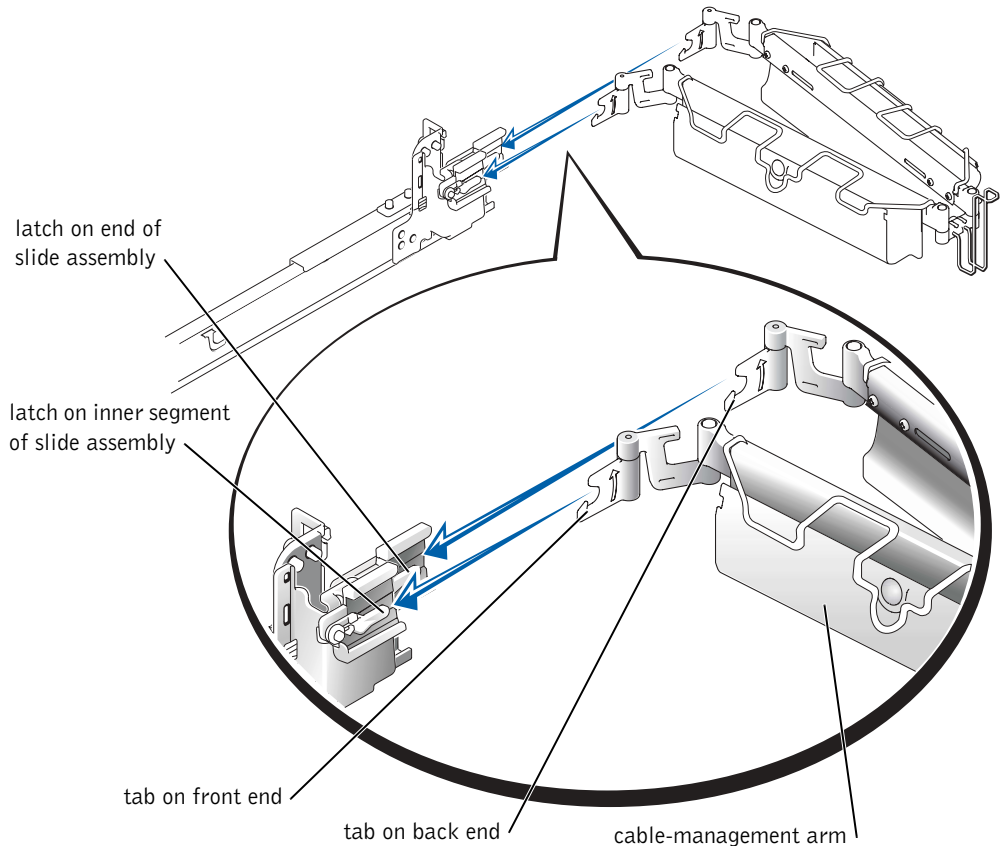
To install the cable-management arm on the system, perform the following steps:

- 1 Facing the back of the rack cabinet, locate the latch on the end of the slide assembly.
- 2 Push the tab on the back end of the cable-management arm into the latch on the end of the slide assembly (see Figure 1-8).

The latch clicks when locked.

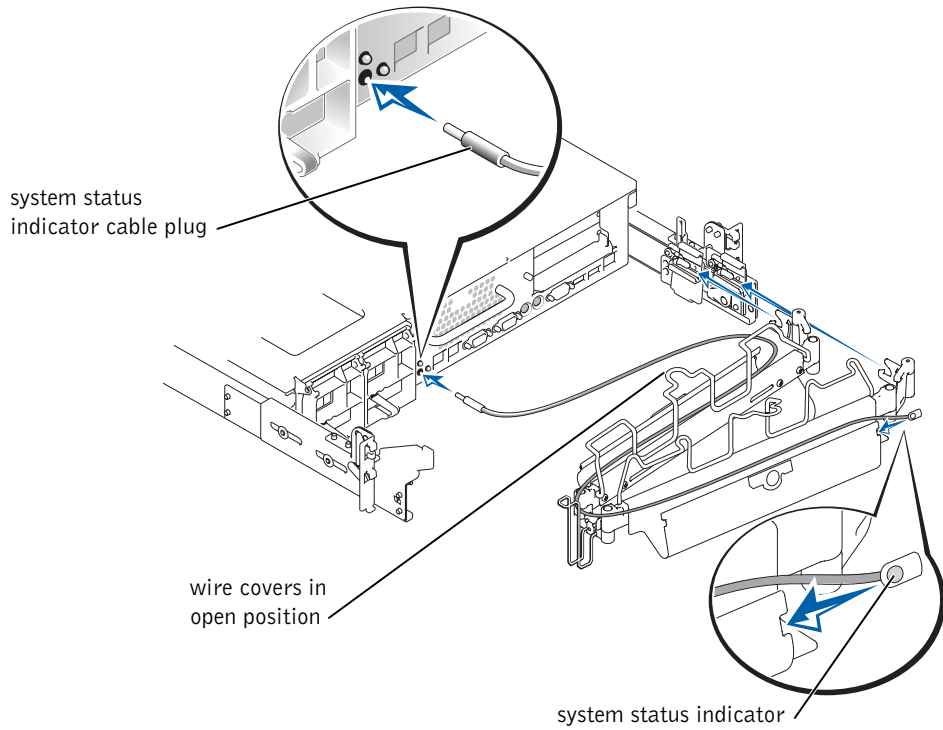
- 3 Push the tab on the front end of the cable-management arm into a mating latch on the inner segment of the slide assembly (see Figure 1-8).

The latch clicks when locked.

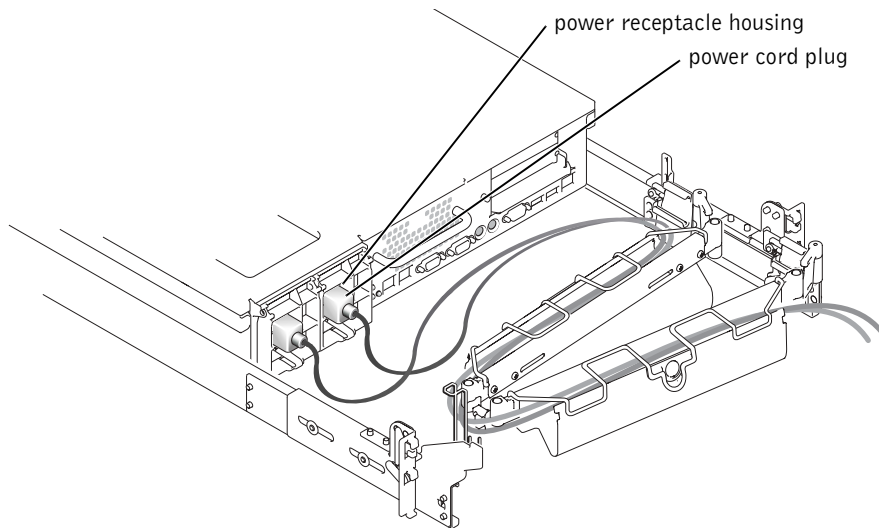
**Figure 1-8. Installing the Cable-Management Arm**

- 4** Install the system status indicator cable plug into its connector (see Figure 1-9).
- 5** Open the wire covers on the cable-management arm by lifting the center of the wire over the top of the embossed round button on the front of the forward part of the arm and lifting the wire over the top of a similar round button on the back part of the arm. The wire cover swings open to enable cables to be routed within the arm.
- 6** Route the system status indicator end of the cable through the cable-management arm, and install the indicator in its slot at the back end of the cable-management arm (see Figure 1-9).

**Figure 1-9. Installing the Cable-Management Arm**



**7** Connect the power cords to their receptacles on the back panel (see Figure 1-10).

**Figure 1-10. Routing the Power Cords**

**⚠ CAUTION:** Allow some slack in each cable as you route them around hinges in the cable-management arm.

## Routing Cables

- 1** Attach the I/O cable connectors to their respective connectors on the system back panel.

For details on cable connections, see your system's *Installation and Troubleshooting Guide* and the *User's Guide*.

- 2** Route the power and I/O cables through the cable-management arm, using four loosely secured tie-wraps (two in the middle and one on each end of the cable-management arm). Do not fully tighten the tie-wraps at this time (see Figure 1-11).

Allow some cable slack in the cable-management arm to prevent damage to the cables.

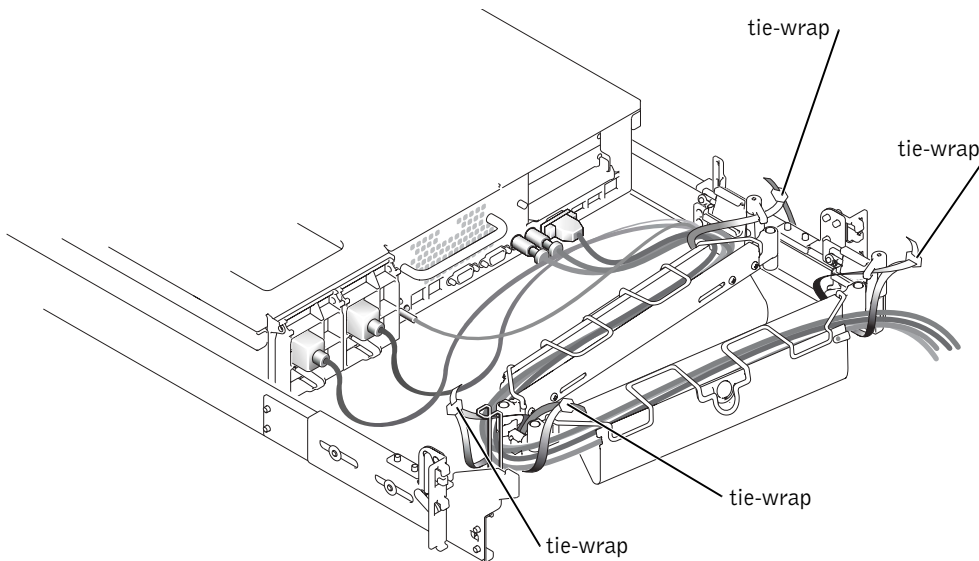
- 3** Secure the cables to the cable-management arm:
  - a** After connecting the cables to the system, unscrew the thumbscrews that secure the front of the system to the front vertical rail.
  - b** Slide the system forward to the fully extended position.
  - c** Route the cables along the cable-management arm, make any adjustments needed to the cable slack at the hinge positions, secure the cables to the cable-management arm with the tie-wraps, and close the wire covers over the cable-management arm.



**NOTE:** As you pull the system out to its furthest extension, the slide assemblies will lock in the extended position. To push the system back into the rack, press the slide release latch on the side of the slide, and then slide the system completely into the rack.

- 4 Slide the system in and out of the rack to verify that the cables are routed correctly and do not bind, stretch, or pinch with the movement of the cable-management arm.
- 5 Tighten the tie-wraps just enough to ensure that the cable slack is neither too tight to cause excessive pinching nor too loose, yet keep the cables from slipping as the system is moved in and out of the rack.

**Figure 1-11. Routing Cables**



## Replacing the Rack Doors

Refer to the procedures for replacing doors in the documentation provided with your rack.




**CAUTION:** Because of the size and weight of the rack cabinet doors, never attempt to remove or install them by yourself.

This completes the rack installation of your system in a four-post rack cabinet.

## Two-Post Rack Installation

The two-post rack kit is used to install a system in a two-post, open-frame relay rack, such as those found in telecommunications equipment facilities. Both 3-inch and 6-inch wide two-post racks with universal-hole spacing or wide-hole spacing are accommodated. You can install this kit in a center-mount or a flush-mount configuration. The two-post kit incorporates slide assemblies that enable the system to be pulled out of the rack for servicing.

You must properly secure the two-post, open-frame relay rack to the floor, the ceiling or upper wall, and where applicable, to adjacent racks, using floor and wall fasteners and bracing specified or approved by the rack manufacturer or by industry standards. See the two-post, open-frame relay rack manufacturer's installation documentation for precautionary warnings before attempting this installation.

 **CAUTION: Do not attempt to install the system into a two-post, open-frame relay rack that has not been securely anchored in place. Damage to the system and personal injury to yourself and to others may result.**

See "CAUTION: Safety Instructions" at the front of this document for additional safety information regarding rack installation.

### Two-Post Rack Installation Tasks

Installing a two-post rack kit includes performing the following tasks in their numbered order:

- 1 Marking the rack
- 2 Installing the slide assemblies in the rack:
  - Center-mount installation
  - Flush-mount installation
- 3 Installing the system in the rack
- 4 Installing the cable-management arm
- 5 Routing cables



## Recommended Tools and Supplies

You need the following tools and supplies to install the system in a two-post open-frame relay rack:

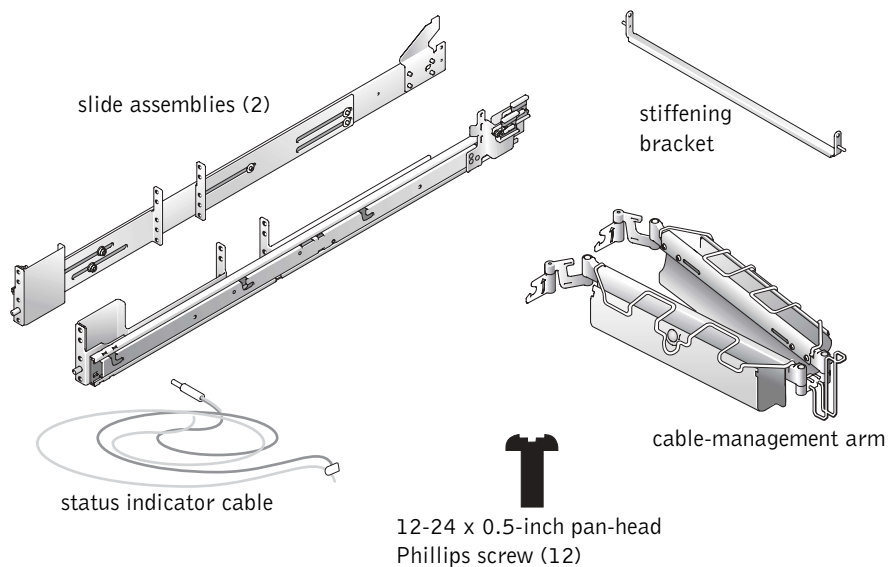
- #2 Phillips screwdriver
- 11/32-inch wrench or nut driver (if changing to a flush-mount configuration)
- Masking tape or felt-tip pen to mark the mounting holes

## Rack Kit Contents

The two-post rack kit includes the following items (see Figure 1-12):

- One pair of slide assemblies (two-post)
- One stiffening bracket
- One cable-management arm
- One status indicator cable
- Twelve 12-24 x 0.5-inch pan-head Phillips screws
- Tie-wraps (not shown in Figure 1-12)

**Figure 1-12. Two-Post Rack Kit Components**



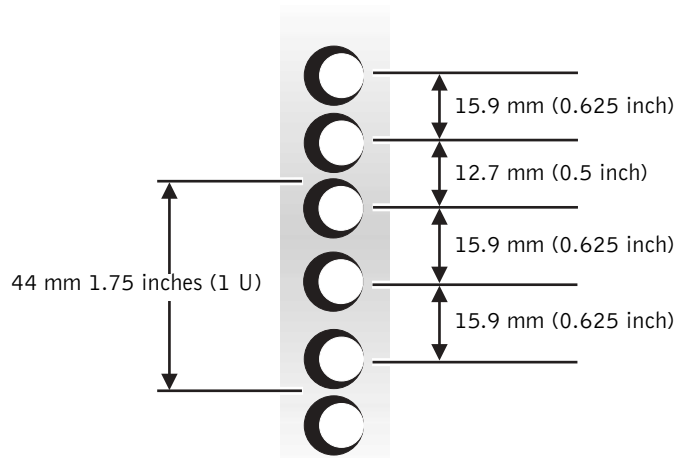
## Marking the Rack

You must allow 2 U (88 mm or 3.5 inches) of vertical space for each system you install in the two-post rack.

### Universal-Hole Spacing Racks

Industry-standard two-post racks with universal-hole spacing have an alternating pattern of three holes per U with center-to-center hole spacing (beginning at the top hole of a 1-U space) of 15.9 mm, 15.9 mm, and 12.7 mm (0.625 inch, 0.625 inch, and 0.5 inch) for the front and back vertical column of holes (see Figure 1-13).

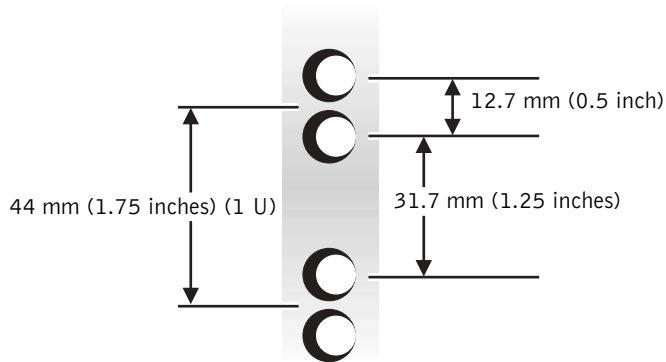
**Figure 1-13. Two-Post, Open-Frame Relay Rack Universal-Hole Spacing**



### Wide-Hole Spacing Racks

Some two-post racks with wide-hole spacing have an alternating pattern of two holes per U with center-to-center hole spacing (beginning at the top hole of a 1-U space) of 31.7 mm and 12.7 mm (1.25 inches and 0.5 inch) for the front and back vertical column of holes (see Figure 1-14).

**Figure 1-14. Two-Post, Open-Frame Relay Rack Wide-Hole Spacing**



To mark the rack, perform the following steps:

- 1 Place a mark on the rack's front vertical rails where you want to locate the bottom of the system you are installing in the two-post rack.

The bottom of each 1-U space is at the middle of the narrowest metal area between holes.

**NOTE:** If your rack has wide-hole spacing, go to step 3.

- 2 Place a mark 88 mm (3.5 inches) above the original mark you made (or count up six holes in a rack with universal-hole spacing (see Figure 1-13).

Each 1-U (44 mm, or 1.75 inches) of vertical space on a rack with universal-hole spacing has three holes with center-to-center spacing between holes (beginning at the top of a 1-U space) of 0.625, 0.625, and 0.5 inches (see Figure 1-13).

**NOTE:** If your rack has universal-hole spacing, you have completed the procedure for marking the rack.

- 3 Place a mark 88 mm (3.5 inches) above the original mark you made (or count up to the fourth hole in the rack with wide-hole spacing (see Figure 1-14).

Each 1-U (44 mm, or 1.75 inches) of vertical space on a rack with wide-hole spacing has two holes with center-to-center spacing between holes (beginning at the top of a 1-U space) of 31.7 mm (1.25 inches) (see Figure 1-14).

## Installing the Slide Assemblies in the Rack

You can install the slide assemblies in a two-post open-frame rack having either universal-hole spacing (see Figure 1-13) or wide-hole spacing (see Figure 1-14). You can install the 2-U slide assemblies in either a flush-mount or center-mount configuration.



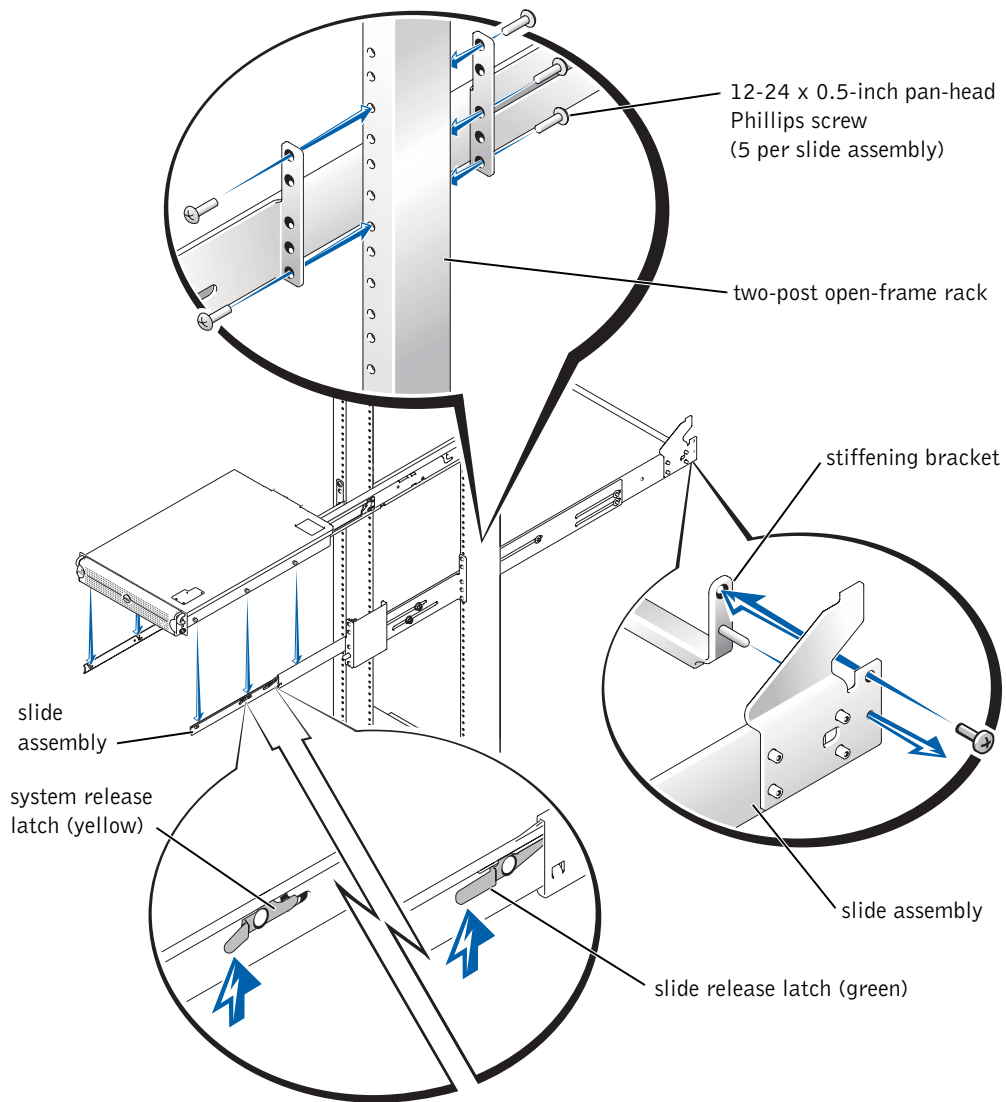
**CAUTION: Do not attempt to install another system using this rack kit. Use only the rack kit intended for your system. Using the rack kit for another system may result in damage to the system and personal injury to yourself and to others.**

### Center-Mount Installation

The two-post rack kit is shipped with the brackets configured for center-mount installation. To complete the installation, perform the following steps:


- 1 Locate the right slide assembly and push the back bracket toward the back of the slide assembly (see Figure 1-15).
- 2 Position the right slide assembly in the two-post rack at the location you marked, push the back bracket forward against the vertical two-post rack, secure the front center mounting bracket with two 12-24 x 0.5-inch pan-head Phillips screws, and secure the back center-mounting bracket to the rack with three 12-24 x 0.5-inch pan-head Phillips screws (see Figure 1-15).
- 3 Repeat steps 1 and 2 to install the left slide assembly in the rack.
- 4 Install the stiffening bracket between the back ends of the slide assemblies and secure the bracket with a 12-24 0.5-inch pan-head Phillips screw on each slide assembly (see Figure 1-15).

**Figure 1-15. Installing the Slide Assemblies for Center-Mount Configuration**



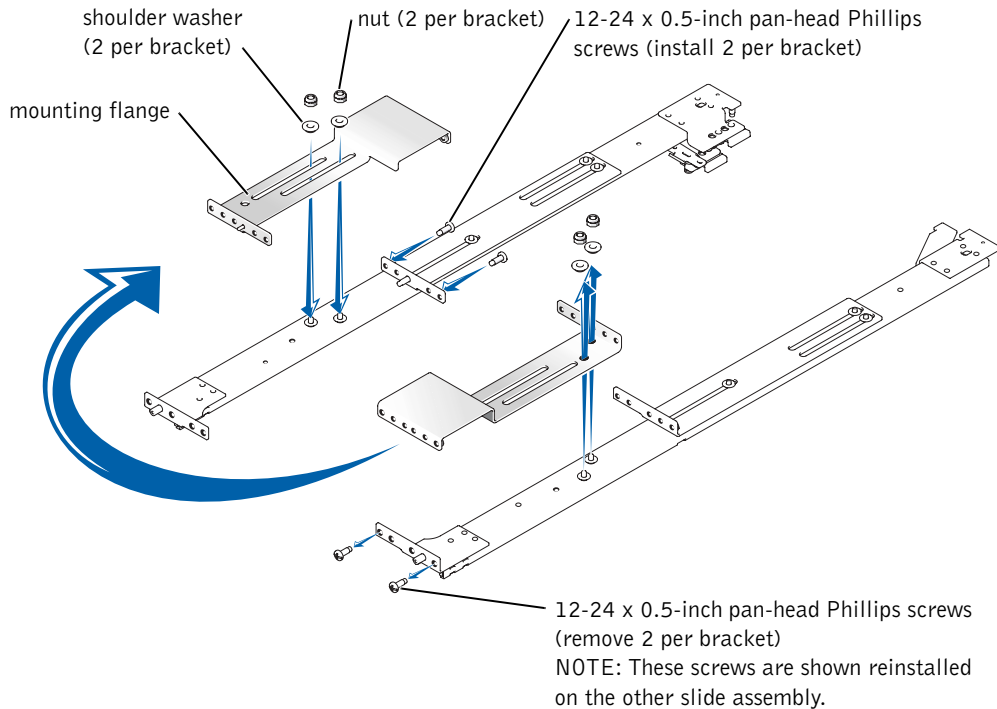
## Flush-Mount Installation

The two-post rack kit is shipped with the brackets configured for center-mount installation. To prepare the slide assemblies for flush-mount installation in the two-post rack, perform the following steps:

- 1 Locate the two slide assemblies and place them, side by side, on a smooth work surface, with the front ends of the slide assemblies toward you. Position both slide assemblies so that the center brackets are facing upward (see Figure 1-16).  
 **NOTE:** To prepare the slides for flush-mount installation, remove the front mounting bracket, rotate it 180 degrees, and reinstall it on the opposite slide assembly.
- 2 Using a #2 Phillips screwdriver and an 11/32-inch wrench or nut driver, remove two 12-24 x 0.5-inch pan-head Phillips screws, two nuts, and two shoulder washers from each front center bracket (see Figure 1-16).
- 3 Remove the front bracket from both slide assemblies.
- 4 Place the bracket from one slide assembly onto the threaded studs on the opposite slide assembly, with the bracket turned 180 degrees so that the mounting flange faces forward (see Figure 1-16).
- 5 Secure each front center-mount bracket (by its nuts and shoulder washers) by finger-tightening them on their opposite slide assemblies using the two shoulder washers and two nuts you removed in step 2 (see Figure 1-16).

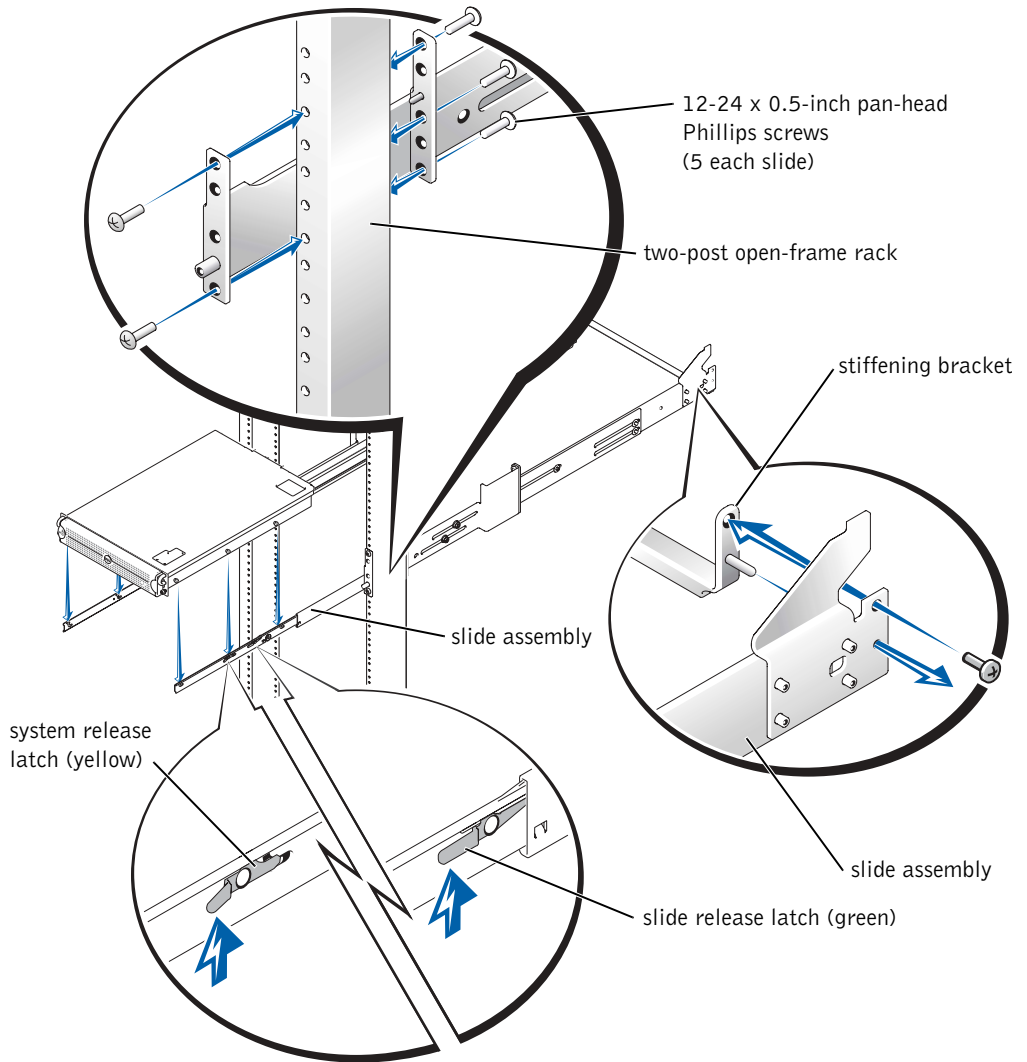
The joined bracket becomes the new extended back bracket.

**Figure 1-16. Rotating the Front Mounting Bracket for Flush-Mount Installation**



- 6 Repeat steps 4 and 5 to configure the other slide assembly.
- 7 Holding the left slide assembly into position in the two-post rack at the location you marked, adjust the extended back bracket tightly against the vertical two-post rack and secure it with three 12-24 x 0.5-inch pan-head Phillips screws (see Figure 1-17).
- 8 Secure the front bracket on the slide assembly to the two-post rail with two 12-24 x 0.5-inch pan-head Phillips screws (see Figure 1-17).
- 9 Perform steps 7 and 8 to install the right slide assembly in the rack.
- 10 Use an 11/32-inch wrench or nut driver to fully tighten the nuts on the mounting brackets on both slide assemblies that you tightened with your fingers.
- 11 Install the stiffening bracket between the back ends of the slide assemblies and secure the bracket with a 12-24 0.5-inch pan-head Phillips screw on each slide assembly (see Figure 1-17).


**Figure 1-17. Installing the Slide Assemblies for Flush-Mount Configuration**






## Installing the System in the Rack

 **CAUTION:** Due to the size and weight of the system, never attempt to install the system by yourself.

 **NOTE:** The procedure for installing a system into a rack is identical for flush-mount and center-mount slide assemblies.


- 1 Pull the slides out to their fully extended position.

 **CAUTION:** Because of the size and weight of the system, never attempt to install the system in the slide assemblies by yourself.

- 2 Lift the system into position (see Figure 1-17).
- 3 Place one hand on the front-bottom of the system and the other hand on the back-bottom of the system.
- 4 Tilt the back of the system down while aligning the back shoulder screws on the sides of the system with the back slots on the slide assemblies.
- 5 Engage the back shoulder screws into their slots.
- 6 Lower the front of the system, and engage the front and middle shoulder screws in their slots (the middle slot is just behind the yellow system release latch) (see Figure 1-17).

When all shoulder screws are properly seated, the yellow latch on each slide assembly clicks and locks the system into the slide assembly.

- 7 Press up on the green slide release latch at the side of each slide to slide the system completely into the rack (see Figure 1-17).
- 8 Push in and turn the captive thumbscrews on each side of the front chassis panel to secure the system to the rack.

 **NOTE:** Use the yellow system release latch whenever you wish to remove the system from the slide assemblies.

## Installing the Cable-Management Arm

See "Installing the Cable-Management Arm" in "Four-Post Rack Installation" found earlier in this document.

## Routing Cables

See "Routing Cables" in "Four-Post Rack Installation" found earlier in this document.

You have completed the installation of the rack kit in a two-post rack.



# Index

## C

- cable-management arm
  - installing, 1-13, 1-27
  - routing cables, 1-16, 1-27
- cables, 1-16
- contents listed
  - RapidRails kit, 1-4
  - two-post kit, 1-19
  - VersaRails kit, 1-5

## D

- doors
  - removing, 1-6
  - replacing, 1-17

## F

- four-post kit
  - installing cable-management arm, 1-13
  - installing system, 1-11
  - marking rack, 1-6
  - RapidRails kit contents, 1-4
  - RapidRails slide assemblies, 1-8
  - routing cables, 1-16
  - tasks, 1-5
  - tools, 1-4
  - VersaRails kit contents, 1-5

- VersaRails slide assemblies, 1-10

## I

- installing
  - cable-management arm, 1-27
  - RapidRails slide assemblies, 1-8
  - two-post slide assemblies, 1-22
  - VersaRails slide assemblies, 1-10
- installing in rack system, 1-11, 1-12
- installing system
  - four-post rack, 1-11
  - two-post rack, 1-27

## K

- kit contents
  - RapidRails, 1-4
  - VersaRails, 1-5

## M

- marking rack
  - four-post kits, 1-6
  - two-post kit, 1-20

## R

- rack mount precautions, 1-3
- rack requirements for VersaRails, 1-3
- rack stabilizer feet, 1-3
- rack unit, 1-7
- RapidRails kit contents, 1-4
- routing cables, 1-16, 1-27

## S

- safety instructions, 1-1
- stiffening bracket, 1-19
  - installing, 1-22, 1-25

## T

- tasks
  - four-post kit, 1-5
  - two-post kit, 1-18
- tools
  - four-post kits, 1-4
  - two-post kits, 1-19
- two-post kit
  - center-mount installation, 1-22
  - contents, 1-19
  - flush-mount installation, 1-24

- installing cable-management
  - arm, 1-27
- installing slide
  - assemblies, 1-22
- installing system, 1-27
- marking rack, 1-20
- routing cables, 1-27
- stiffening bracket, 1-19, 1-25
- tasks, 1-18
- tools, 1-19

## **V**

- VersaRails kit contents, 1-5
- vertical rails
  - marking, 1-6
  - one rack unit, 1-7

Systèmes Dell™

# Guide d'installation du rack



# Remarques, mises en garde et avertissements



**REMARQUE** : UNE REMARQUE indique une information importante destinée à vous aider à mieux utiliser votre ordinateur.



**MISE EN GARDE** : UNE MISE EN GARDE indique un dommage potentiel pouvant survenir (ou une perte de données) et vous dit comment éviter le problème.



**ATTENTION** : Le message **ATTENTION** indique une situation potentiellement dangereuse qui, si elle n'est pas évitée, peut provoquer une détérioration du matériel ou des blessures pouvant entraîner la mort.

---

Les informations fournies dans ce document sont susceptibles d'être modifiées sans préavis.  
© 2002 Dell Computer Corporation. Tous droits réservés.

La reproduction de ce document de quelque manière que ce soit sans l'autorisation écrite de Dell Computer Corporation est strictement interdite.

Marques déposées utilisées dans ce document : *Dell*, le logo *DELL*, *RapidRails* et *VersaRails* sont des marques de Dell Computer Corporation.

Tous les autres noms de marques et marques commerciales utilisés dans ce document se rapportent aux sociétés propriétaires des marques et des noms de ces produits. Dell Computer Corporation décline tout intérêt dans l'utilisation des marques déposées et des noms de marques ne lui appartenant pas.

# Sommaire

<b>ATTENTION : Instructions de sécurité</b> . . . . .	<b>2-1</b>
Montage en rack des systèmes . . . . .	2-1
<b>Instructions d'installation</b> . . . . .	<b>2-2</b>
<b>Installation d'un rack à quatre montants</b> . . . . .	<b>2-3</b>
Avant de commencer . . . . .	2-3
Outils et fournitures recommandés . . . . .	2-4
Contenu du kit du rack RapidRails . . . . .	2-4
Contenu du kit du rack VersaRails . . . . .	2-5
Tâches d'installation . . . . .	2-6
Retrait des portes du rack . . . . .	2-7
Marquage du rack . . . . .	2-7
Installation des rails coulissants RapidRails . . . . .	2-9
Installation des rails coulissants VersaRails . . . . .	2-11
Installation du système dans le rack . . . . .	2-13
Installation du bras de maintien des câbles . . . . .	2-15
Routage des câbles . . . . .	2-18
Remise en place des portes du rack . . . . .	2-20
<b>Installation d'un rack à deux montants</b> . . . . .	<b>2-20</b>
Tâches d'installation du rack à deux montants . . . . .	2-21
Outils et fournitures recommandés . . . . .	2-21
Contenu du kit du rack . . . . .	2-21
Marquage du rack . . . . .	2-22
Installation des rails coulissants dans le rack . . . . .	2-25
Installation du système dans le rack . . . . .	2-30
Installation du bras de maintien des câbles . . . . .	2-30
Routage des câbles . . . . .	2-30

## Figures

Figure 2-1.	Contenu du kit du rack RapidRails . . . . .	2-5
Figure 2-2.	Contenu du kit du rack VersaRails . . . . .	2-6
Figure 2-3.	Unité à un rack . . . . .	2-8
Figure 2-4.	Marquage des rails verticaux . . . . .	2-9
Figure 2-5.	Installation des rails coulissants RapidRails .	2-10
Figure 2-6.	Installation des rails coulissants VersaRails .	2-12
Figure 2-7.	Installation du système dans le rack (RapidRails ou VersaRails) . . . . .	2-14
Figure 2-8.	Installation du bras de maintien des câbles .	2-16
Figure 2-9.	Installation du bras de maintien des câbles .	2-17
Figure 2-10.	Routage des cordons d'alimentation . . . . .	2-18
Figure 2-11.	Routage des câbles . . . . .	2-19
Figure 2-12.	Composants du kit de rack à deux montants .	2-22
Figure 2-13.	Espacement universel des trous sur un rack de relais à 2 montants avec châssis ouvert . . .	2-23
Figure 2-14.	Espacement large des trous sur un rack de relais à 2 montants avec châssis ouvert . . . . .	2-24
Figure 2-15.	Installation des rails coulissants pour une configuration à montage central . . . . .	2-26
Figure 2-16.	Rotation du support de montage avant pour une installation à encastrement . . . . .	2-28
Figure 2-17.	Installation des rails coulissants pour une configuration à encastrement . . . . .	2-29




## **ATTENTION : Instructions de sécurité**

Respectez les consignes de sécurité de ce guide pour assurer votre sécurité personnelle et pour contribuer à protéger votre système et votre environnement de travail des dommages potentiels. Pour obtenir des informations complètes sur la sécurité, reportez-vous au *Guide Informations sur le système*.


### **Montage en rack des systèmes**

Pour la stabilité du rack et pour votre sécurité, respectez les précautions suivantes.

Les systèmes sont considérés comme des composants d'un rack. Ainsi, le terme « composant » fait référence à tout système aussi bien qu'aux différents périphériques ou matériels qui lui sont associés.

 **ATTENTION : L'installation de systèmes dans un rack sans placer de stabilisateurs avant et latéraux peut provoquer le basculement du rack, et comporte dans certaines situations un risque de blessures. C'est pourquoi il faut toujours installer les stabilisateurs avant d'installer les composants du rack.**

**Après avoir installé le système/les composants dans un rack, ne tirez jamais plus d'un composant du rack sur les supports coulissants. Le poids représenté par plus d'un composant étendu pourrait en effet provoquer le basculement du rack et occasionner de graves blessures.**

 **REMARQUE :** Votre système est certifié sur le plan de la sécurité en tant qu'unité autonome et en tant que composant destiné à être utilisé dans une armoire rack Dell, à l'aide du kit de rack client. L'installation du système et du kit de rack dans tout autre type de rack n'a reçu aucune homologation des organismes de certification de la sécurité. Il vous incombe de veiller à ce que la combinaison finale système/rack soit conforme à toutes les normes de sécurité en vigueur ainsi qu'aux normes électriques locales. Dell décline toute responsabilité et toutes garanties liées à ce type de combinaisons.

- Les kits de racks sont destinés à être installés dans un rack par des techniciens de maintenance expérimentés. Si vous installez ce kit dans tout autre rack, assurez-vous que celui-ci répond à toutes les spécifications d'un rack Dell.

 **ATTENTION : Ne déplacez pas seul les racks. En raison de la hauteur et du poids du rack, cette tâche doit être réalisée par deux personnes au minimum.**

- Avant de travailler sur le rack, assurez-vous que les stabilisateurs sont bien en place sur le rack et au sol, et que tout le poids du rack repose sur le sol. Installez les stabilisateurs avant et latéraux (pour un rack simple) ou les stabilisateurs avant (pour les racks multiples) avant de travailler sur le rack.

## **ATTENTION : Instructions de sécurité**

- Chargez toujours le rack du bas vers le haut, en plaçant toujours la plus forte charge en premier.
- Assurez-vous que le rack est bien de niveau avant de sortir l'un des composants.
- Agissez avec précaution lorsque vous appuyez sur les verrous des rails pour les libérer et faire glisser un composant hors ou dans le rack. Les rails coulissants pourraient en effet vous coincer les doigts.
- Après avoir inséré un composant dans le rack, étendez le rail en position maximum jusqu'à son verrouillage puis faites glisser le composant dans le rack.
- Ne surchargez pas le circuit de dérivation CA qui alimente le rack en électricité. La charge totale du rack ne doit pas excéder 80 % de la puissance du circuit de dérivation.
- Assurez-vous que l'air circule suffisamment entre les composants du rack.
- Ne marchez ou ne montez jamais sur l'un des composants du système lors de l'entretien.

## **Instructions d'installation**

Ce guide d'installation contient des instructions s'adressant à des techniciens de maintenance qualifiés et explique comment installer un ou plusieurs systèmes dans un rack de relais avec châssis ouvert ou une armoire rack. Le kit de rack RapidRails peut être installé sans outils dans toutes les armoires rack du fabricant ; le kit de rack VersaRails peut être installé dans de nombreuses armoires rack conformes aux normes de l'industrie. Les procédures d'installation des kits de rack RapidRails et VersaRails sont les mêmes. Un kit de rack est nécessaire pour chaque système devant être installé dans l'armoire rack.

Ce guide comprend les procédures relatives aux kits de rack suivants :


- Kit RapidRails dans une armoire rack à quatre montants
- Kit VersaRails dans une armoire rack à quatre montants
- Kit à deux montants (installé dans une configuration à montage central ou à encastrement, pour les racks de 3 ou 6 pouces de largeur)

Pour faciliter le dépannage et connaître l'état général du système, tous ces kits de rack sont fournis avec un câble à voyant d'état qui transmet les informations des deux voyants d'état de couleur des panneaux avant et arrière vers l'arrière du bras de maintien des câbles. Pour plus d'informations sur ces voyants, reportez-vous au *Guide de l'utilisateur* de votre système.

Avant de commencer l'installation, lisez soigneusement ce document en entier.

 **ATTENTION : N'installez pas de composants de kit de rack prévus pour un autre système. Utilisez uniquement le kit de rack de votre système. Si vous employez le kit d'un autre système, vous risquez d'endommager le système et d'exposer autrui et vous-même à des risques de blessures.**

### Spécifications de rack requises pour les rails VersaRails


 **MISE EN GARDE :** Le kit de rack VersaRails est prévu pour être installé par des techniciens de maintenance qualifiés dans un rack conforme aux spécifications des organismes suivants : American National Standards Institute (ANSI)/Electronic Industries Association (EIA) standard ANSI/EIA-310-D-92, International Electrotechnical Commission (IEC) 297, et Deutsche Industrie Norm (DIN) 41494. Un kit de rack est nécessaire pour chaque système installé dans le rack.


## Installation d'un rack à quatre montants

Avant de commencer l'installation, lisez soigneusement cette procédure en entier.

### Avant de commencer

Avant de commencer à installer votre système dans le rack, lisez attentivement la section « ATTENTION : Instructions de sécurité » au début de ce document, ainsi que les instructions de sécurité du document *Informations système* qui vous fourniront des renseignements supplémentaires.

 **ATTENTION : Lorsque vous installez plusieurs systèmes dans un rack, exécutez toutes les procédures s'appliquant au système en cours avant d'essayer d'installer le système suivant.**

 **ATTENTION : Les armoires rack peuvent être extrêmement lourdes et leurs roulettes leur permettent de se déplacer facilement. L'armoire ne possède pas de système de freins. Procédez par conséquent avec la plus grande prudence pour déplacer l'armoire rack. Pensez à rentrer ses pieds de nivellement lorsque vous la changez d'emplacement. Evitez de la déplacer le long de rampes ou de plans inclinés trop longs ou trop abrupts, sur lesquels l'armoire pourrait vous échapper. Ressortez les pieds de nivellement lorsqu'il est nécessaire de soutenir l'armoire ou pour lui éviter de glisser sur ses roulettes.**

### Informations importantes sur la sécurité

Observez les précautions de sécurité décrites dans les sous-sections suivantes lors de l'installation de votre système dans le rack.

**⚠ ATTENTION : Vous devez respecter à la lettre les procédures de ce document afin de garantir votre propre protection ainsi que celle d'autrui. Votre système peut être très lourd et volumineux. Une préparation et une planification adéquates sont donc importantes afin d'éviter tout risque de blessure pour vous-même ou autrui. Ces précautions sont d'autant plus importantes lorsque les systèmes sont installés très haut dans le rack.**

### **Pieds stabilisateurs du rack**

**⚠ ATTENTION : L'installation de systèmes dans un rack sans placer de pieds stabilisateurs avant et latéraux peut provoquer le basculement du rack, et comporte dans certaines situations un risque de blessures. C'est pourquoi il faut toujours installer les pieds stabilisateurs avant d'installer les composants du rack.**

**⚠ ATTENTION : Après avoir installé des systèmes dans un rack, ne retirez jamais plus d'un système à la fois hors du rack à l'aide de ses rails coulissants. Le poids représenté par plus d'un système lorsqu'il est extrait pourrait en effet provoquer le basculement du rack et blesser l'utilisateur.**

Les pieds stabilisateurs empêchent le rack de basculer lorsque vous extrayez un système ou un autre composant hors du rack, les rails coulissants étant complètement ressortis. Consultez la documentation fournie avec l'armoire rack pour savoir comment installer et fixer les pieds stabilisateurs.

### **Outils et fournitures recommandés**

Les outils et fournitures suivants peuvent être nécessaires pour installer le système dans un rack à quatre montants :

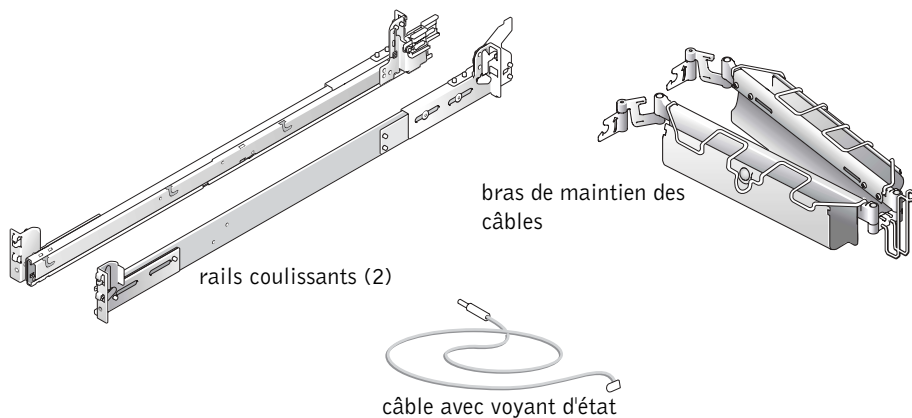
- Un tournevis Phillips n° 2 (pour installer un kit de rails coulissants VersaRails)
- Bande protectrice adhésive ou stylo feutre pour marquer les trous de montage à utiliser.

### **Contenu du kit du rack RapidRails**

Le kit du rack RapidRapidRails comprend les éléments suivants (voir la Figure 2-1) :

- Une paire de rails coulissants RapidRails
- Un bras de maintien des câbles
- Un câble avec voyant d'état
- Des fixe-câbles (non représentés à la Figure 2-1)


**Figure 2-1. Contenu du kit du rack RapidRails**



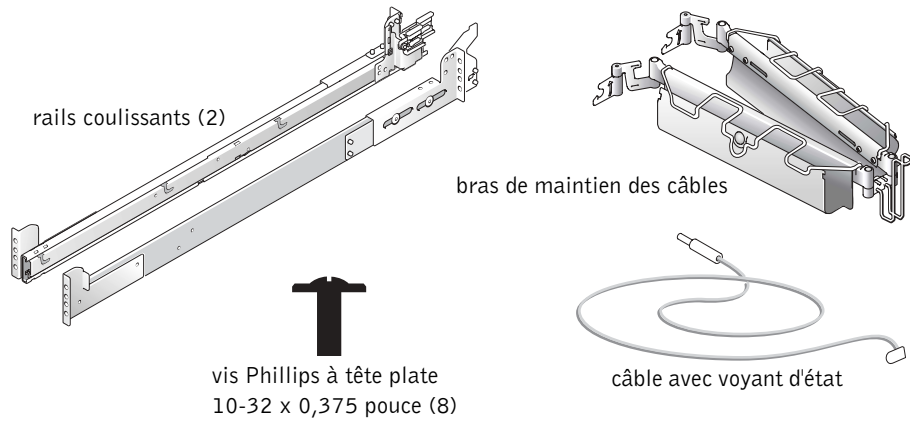
### **Contenu du kit du rack VersaRails**

Le kit du rack VersaRapidRails comprend les éléments suivants (voir la Figure 2-2) :

- Une paire de rails coulissants VersaRails
- Un bras de maintien des câbles
- Un câble avec voyant d'état
- Huit vis à tête Phillips 10-32 x 0,5 pouce
- Des fixe-câbles (non représentés à la Figure 2-2)

 **REMARQUE :** Les vis non métriques décrites dans les illustrations et dans les étapes des procédures sont identifiées par la taille et le nombre des filetages par pouce. Par exemple, une vis à tête Phillips n° 10 avec 32 filetages est désignée par l'appellation vis 10-32.

**Figure 2-2. Contenu du kit du rack VersaRails**



## Tâches d'installation

Pour installer un kit de rack, vous devez effectuer les tâches suivantes dans l'ordre dans lequel elles sont indiquées :

- 1 Retrait des portes du rack
- 2 Marquage du rack
- 3 Installation des rails coulissants dans le rack :
  - Installation du kit RapidRails
  - Installation du kit VersaRails
- 4 Installation du système dans le rack
- 5 Installation du bras de maintien des câbles
- 6 Routage des câbles
- 7 Remise en place des portes du rack

## Retrait des portes du rack


Reportez-vous aux procédures de retrait des portes dans la documentation fournie avec votre armoire rack.

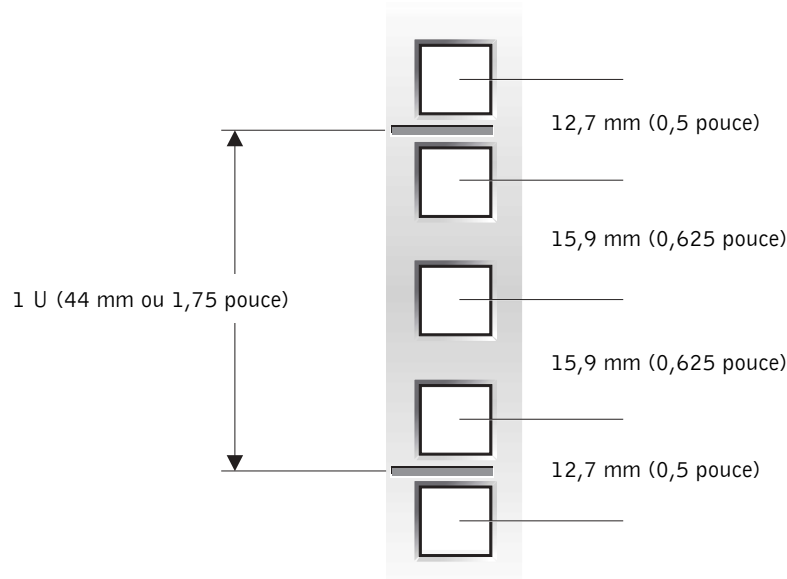
 **ATTENTION : Compte tenu du poids et de la taille des portes de l'armoire rack, ne déposez ou n'installez jamais les portes seul.**

 **ATTENTION : Stockez les deux portes dans un endroit sûr où elles ne risquent pas de tomber accidentellement et de blesser quelqu'un.**

## Marquage du rack

Vous devez laisser un espace vertical de 2 U (88 mm ou 3,5 pouces) pour chaque système installé dans le rack. Les armoires rack conformes aux normes EIA-310 alternent un groupe de trois trous par U (unité). Les espacements entre chacun des trois trous, mesurés du centre d'un trou jusqu'au centre du trou suivant (en commençant par le trou supérieur d'un espace de 1 U) sont respectivement de 15,9 mm, 15,9 mm et 12,7 mm (0,625 pouce, 0,625 pouce et 0,5 pouce) pour les rails verticaux avant et arrière (voir la Figure 2-3). Les armoires rack peuvent comporter des trous ronds ou carrés.

 **REMARQUE :** Les rails verticaux peuvent être marqués par des lignes horizontales et des chiffres progressant par incréments de 1 U. Si vous le souhaitez, vous pouvez noter le nombre figurant sur le rail vertical du rack. Il n'est pas nécessaire de marquer le rack ou d'y apposer de la bande adhésive. Si vous choisissez cette méthode, passez directement à la procédure « Installation des rails coulissants RapidRails ».

**Figure 2-3. Unité à un rack**

**⚠ ATTENTION : Si vous installez plus d'un système, installez les rails coulissants de façon à ce que le premier système soit placé le plus bas possible dans le rack.**

Pour marquer le rack, procédez comme suit :

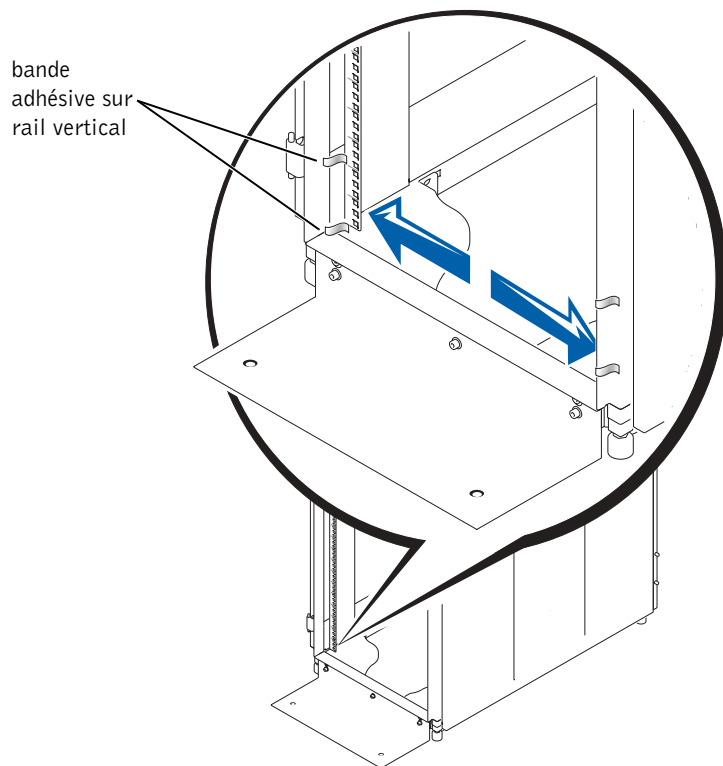
- 1 Placez une marque sur les rails verticaux avant du rack, à l'endroit correspondant au bas du système à installer dans l'armoire rack.

Le bas de chaque espace 1 U se trouve au milieu de la zone métallique la plus étroite située entre les trous (repérée par une ligne horizontale sur certaines armoires rack — voir la Figure 2-4).

- 2 Placez une marque à 88 mm (3,5 pouces) au-dessus de la marque originale que vous avez faite (ou comptez jusqu'à six trous dans les racks conformes aux normes EIA-310), puis marquez les rails verticaux du rack avec un stylo feutre ou de la bande protectrice adhésive (si vous avez compté les trous, placez une marque juste au-dessus du trou du haut). Cette marque ou ce morceau de bande adhésive indique l'endroit où le rebord supérieur du système sera installé sur les rails verticaux (voir la Figure 2-4).



**Figure 2-4. Marquage des rails verticaux**

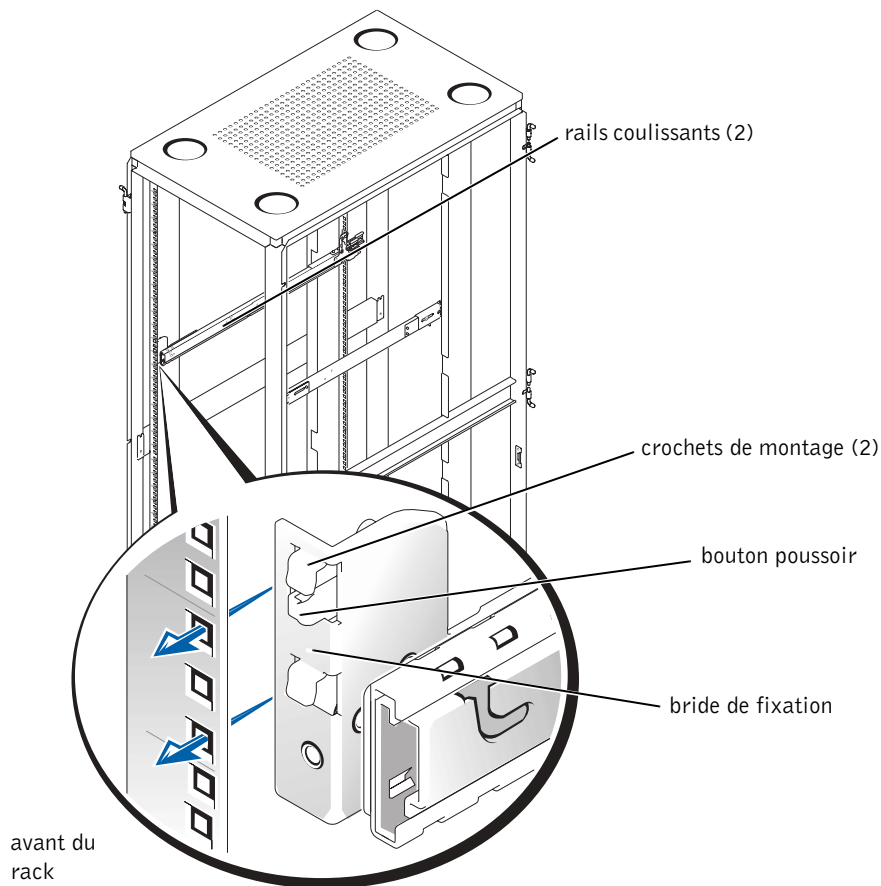


### **Installation des rails coulissants RapidRails**

- 1** A l'avant de l'armoire rack, positionnez l'un des rails RapidRails de façon à ce que la bride de fixation soit située entre les marques (ou la bande adhésive) placées sur le rack (voir la Figure 2-5).

Le crochet de fixation supérieur sur la bride de fixation avant du rail coulissant doit pénétrer dans le trou supérieur situé entre les marques que vous avez faites sur les rails verticaux.

- 2** Poussez l'axe coulissant vers l'avant jusqu'à ce que le crochet de fixation soit positionné dans son trou carré sur le rail vertical, puis exercez une pression vers le bas sur la bride de fixation jusqu'à ce que les crochets de fixation s'enclenchent dans les trous carrés et que le bouton-poussoir bleu ressorte et émette un déclic (voir la Figure 2-5).

**Figure 2-5. Installation des rails coulissants RapidRails**

- 3** A l'arrière de l'armoire, tirez sur la bride de fixation jusqu'à ce que le crochet de fixation supérieur soit positionné dans le trou carré, puis exercez une pression vers le bas sur la bride de fixation jusqu'à ce que le crochet de fixation s'enclenche dans les trous carrés et que le bouton-poussoir ressorte et émette un déclic.
- 4** Effectuez de nouveau les opérations des étapes 1 à 3 pour le rail coulissant situé sur l'autre côté du rack.
- 5** Vérifiez que les rails sont montés à la même position verticale de chaque côté du rack.

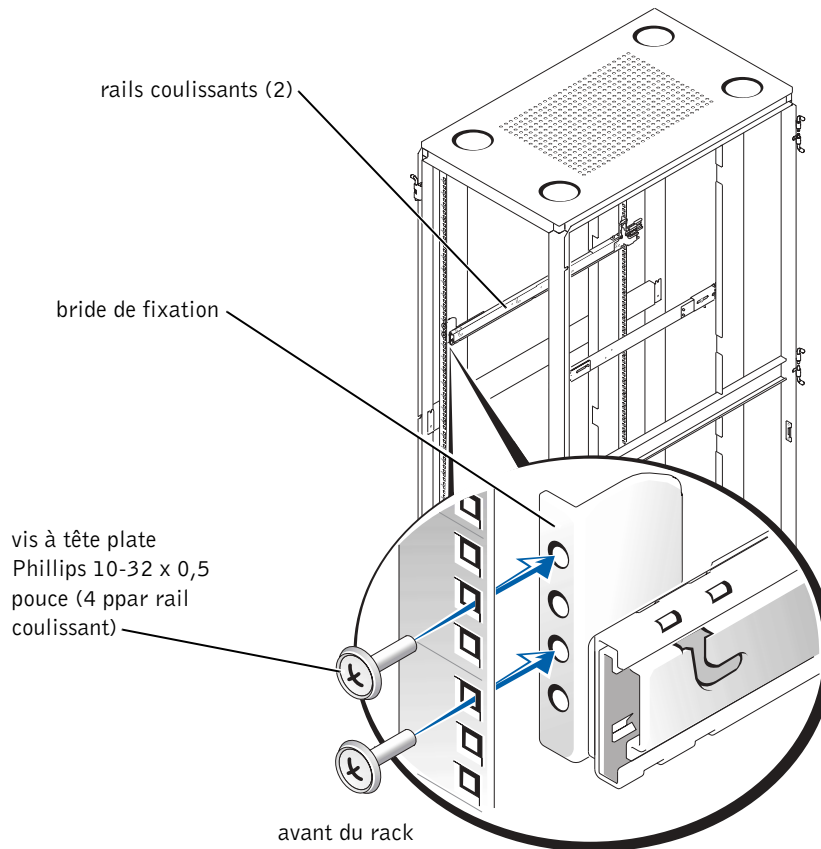
## Installation des rails coulissants VersaRails

- 1** A l'avant de l'armoire rack, positionnez l'un des rails VersaRails de façon à ce que la bride de fixation soit située entre les marques ou la bande adhésive (ou l'emplacement numéroté) sur le rack (voir la Figure 2-6).

Les quatre trous à l'avant de la bride de fixation doivent correspondre avec quatre des trous entre les marques que vous avez effectuées sur le rail vertical avant.

- 2** Insérez deux vis Phillips à tête plate 10-32 x 0,5 pouce dans le trou du haut et le troisième trou à partir du haut de la bride de fixation afin de fixer le rail coulissant au rail vertical avant (voir la Figure 2-6).
- 3** A l'arrière de l'armoire, tirez sur la bride de fixation jusqu'à ce que les trous de montage correspondent exactement à leurs trous respectifs sur le rail vertical arrière.
- 4** Insérez deux vis Phillips à tête plate 10-32 x 0,5 pouce dans le trou du haut et le troisième trou à partir du haut de la bride de fixation arrière afin de fixer le rail coulissant au rail vertical arrière.
- 5** Effectuez de nouveau les opérations des étapes 1 à 3 pour le rail coulissant situé sur l'autre côté du rack.
- 6** Vérifiez que les rails coulissants sont montés à la même position sur les rails verticaux de chaque côté du rack.

**Figure 2-6. Installation des rails coulissants VersaRails**



## Installation du système dans le rack

 **ATTENTION** : Si vous installez plus d'un système, installez le premier système le plus bas possible dans le rack.

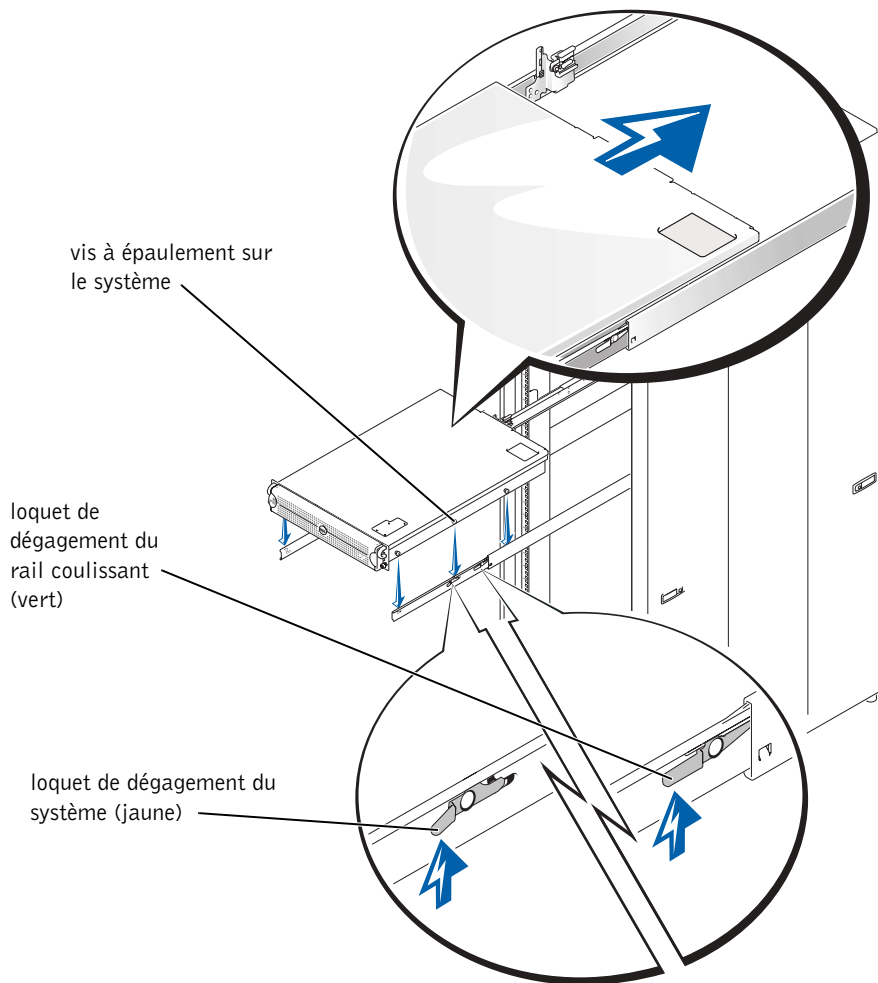
 **ATTENTION** : Ne retirez jamais plus d'un composant du rack en même temps.

- 1 Tirez à fond les deux rails coulissants hors du rack jusqu'à ce qu'ils soient bloqués.

 **ATTENTION** : En raison de la taille et du poids du système, ne tentez jamais de l'installer seul dans les rails coulissants.

- 2 Soulevez le système pour le placer en bonne position à l'avant des rails coulissants étendus (voir la Figure 2-7).
- 3 Placez une main sur la partie inférieure avant du système et l'autre main sur la partie inférieure arrière du système.
- 4 Inclinez l'arrière du système vers le bas tout en faisant correspondre les vis à épaulement arrière, sur les côtés du système, avec les fentes arrière des rails coulissants.
- 5 Engagez les vis à épaulement arrière dans leurs fentes.


**Figure 2-7. Installation du système dans le rack (RapidRails ou VersaRails)**




- 6 Abaissez l'avant du système et engagez les vis à épaulement avant et centrale dans leurs fentes (la fente centrale se trouve juste derrière le loquet de dégagement jaune du système) (voir la Figure 2-7).

Lorsque toutes les vis à épaulement sont en place, le loquet jaune sur chaque rail coulissant s'enclenche et verrouille le système dans le rail coulissant.

- 7 Exercez une pression vers le haut sur le loquet de dégagement vert de chaque rail pour faire coulisser le système entièrement dans le rack (voir la Figure 2-7).
- 8 Enfoncez et serrez les vis à molette captives situées de chaque côté du panneau du châssis avant pour fixer le système sur le rack.

 **REMARQUE :** Utilisez toujours le loquet jaune pour retirer le système des rails coulissants.

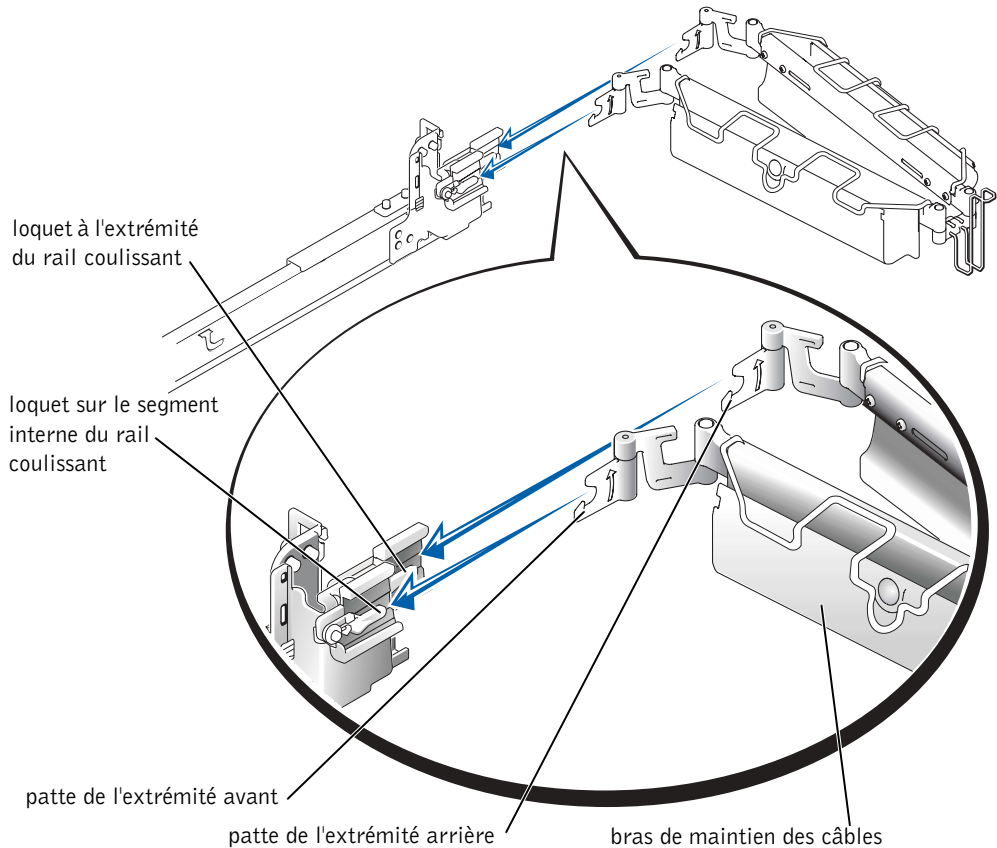
## Installation du bras de maintien des câbles

 **MISE EN GARDE :** Le bras de maintien des câbles peut uniquement être installé sur le côté droit de l'armoire rack, vue de l'arrière.

Pour installer le support de câbles sur le système, procédez comme suit :

- 1 En vous plaçant face à l'arrière de l'armoire rack, repérez le loquet à l'extrémité du rail coulissant.
- 2 Poussez la patte de l'extrémité gauche du bras de maintien des câbles pour la faire pénétrer dans le loquet à l'extrémité du rail coulissant (voir la Figure 2-8).  
Le loquet émet un déclic lorsqu'il s'enclenche.
- 3 Poussez la patte de l'extrémité avant du bras de maintien des câbles pour la faire pénétrer dans le loquet correspondant sur le segment interne du rail coulissant (voir la Figure 2-8).

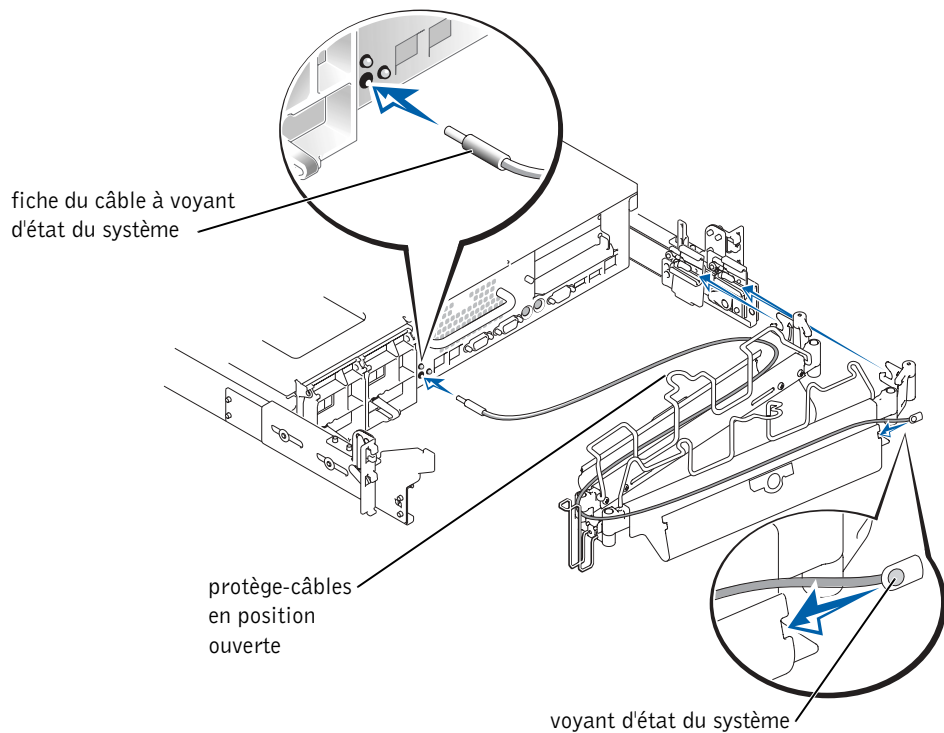
Le loquet émet un déclic lorsqu'il s'enclenche.

**Figure 2-8. Installation du bras de maintien des câbles**

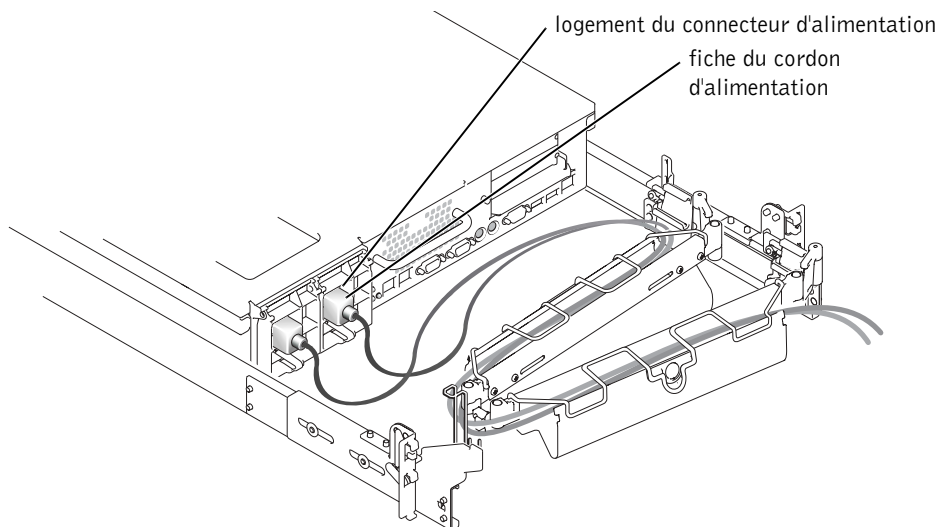
- 4** Insérez la fiche de terminaison du câble de voyant d'état dans son connecteur (voir la Figure 2-9).
- 5** Dégagez les protège-câbles sur le bras de maintien en soulevant le centre du protège-câble au-dessus du bouton rond embouti sur le devant, sur la partie avant du bras, et au-dessus de l'autre bouton rond similaire, sur la partie arrière du bras.  
Le protège-câble pivote et s'ouvre afin de permettre le passage des câbles dans le bras.
- 6** Faites passer l'extrémité du câble à voyant d'état dans le bras de maintien des câbles, puis installez le voyant dans sa fente sur l'extrémité arrière du bras (voir la Figure 2-9).



**Figure 2-9. Installation du bras de maintien des câbles**



- 7** Branchez les cordons d'alimentation sur leurs connecteurs sur le panneau arrière (voir la Figure 2-10).

**Figure 2-10. Routage des cordons d'alimentation**

**⚠ ATTENTION : Laissez un peu de mou au niveau de chaque câble en les faisant passer autour des charnières du bras de maintien des câbles.**

### Routage des câbles

- 1** Fixez les connecteurs des câbles d'entrée et de sortie (E/S) sur leurs connecteurs respectifs sur le panneau arrière du système.

Pour obtenir plus de détails sur les connexions des câbles, reportez-vous au *Guide d'installation et de dépannage* et au *Guide de l'utilisateur*.

- 2** Faites passer le cordon d'alimentation et les câbles d'E/S dans le bras de maintien des câbles, à l'aide de quatre fixe-câbles détachables fixés de façon lâche (deux au centre et un à chaque extrémité du bras de maintien des câbles). Ne resserrez pas encore à fond les fixe-câbles à ce stade (voir la Figure 2-11).

Laissez un peu de mou au niveau des câbles sur le bras de maintien afin d'éviter de les endommager.

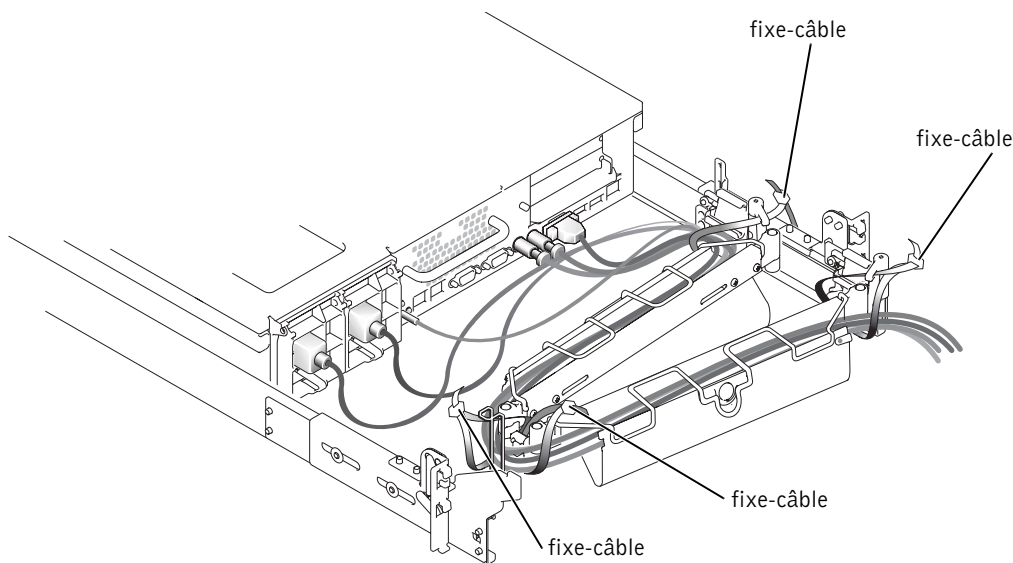
- 3** Fixez les câbles sur le bras de maintien des câbles.
  - a** Après avoir connecté les câbles au système, dévissez les vis à molette fixant l'avant du système au rail vertical avant.
  - b** Faites glisser le système vers l'avant en position étendue maximale.

- c Faites passer les câbles le long du bras de maintien, réglez si nécessaire le mou des câbles au niveau des charnières, puis fixez les câbles au bras de maintien des câbles à l'aide des fixe-câbles détachables, puis rabattez les protège-câbles sur le bras de maintien des câbles.

**REMARQUE :** Lorsque vous tirez le système dans sa position la plus étendue, les charnières vont se bloquer dans cette position. Pour replacer le système dans le rack, appuyez sur le loquet de dégagement situé sur le côté du rail coulissant, puis faites glisser le système complètement dans le rack.

- 4 Faites glisser le système dans et hors du rack pour vérifier que les câbles sont installés correctement et ne se bloquent pas, ne se tendent pas et ne se coincent pas lors du déplacement du bras de maintiendes câbles.
- 5 Resserrez juste assez les fixe-câbles pour que le câbles aient un mou suffisant, ni trop tendu, ce qui les coincerait, ni trop lâche, permettant d'éviter que les câbles ne glissent lors de l'introduction et de l'extraction du système dans le rack.

**Figure 2-11. Routage des câbles**



## Remise en place des portes du rack

Reportez-vous aux procédures de remise en place des portes dans la documentation fournie avec l'armoire rack.


 **ATTENTION : Compte tenu du poids et de la taille des portes de l'armoire rack, ne déposez ou n'installez jamais les portes seul.**

L'installation de votre système dans une armoire en rack à quatre montants est maintenant terminée.

## Installation d'un rack à deux montants

Le kit du rack à deux montants permet d'installer un système dans un rack de relais à deux montants et à châssis ouvert, qui est couramment utilisé en télécommunications. Les racks à deux montants de 3 et 6 pouces de large avec un espacement des trous universel ou large sont utilisables. Vous pouvez installer ce kit dans une configuration à montage central ou à encastrement. Ce kit à deux montants comprend des rails coulissants permettant d'extraire le système du rack lorsque des opérations de maintenance sont requises.

Le rack de relais à deux montants et châssis ouvert doit être correctement fixé au sol, au plafond ou au mur supérieur, et le cas échéant, aux racks adjacents, à l'aide de fixations et de renforts au sol et muraux, recommandés ou agréés par le fabricant du rack ou par les normes de l'industrie. Consultez la documentation d'installation fournie par le fabricant du rack de relais à deux montants avec châssis ouvert pour connaître les mises en gardes à respecter avant de démarrer l'installation.

 **ATTENTION : N'essayez pas d'installer ce système dans un rack de relais à deux montants avec châssis ouvert n'ayant pas été ancré solidement en place. Vous risqueriez d'endommager le système, de vous blesser ou de blesser d'autres personnes.**

Reportez-vous à la section « ATTENTION: Instructions de sécurité » situé au début de ce document pour connaître les informations de sécurité supplémentaires relatives à l'installation du rack.

## Tâches d'installation du rack à deux montants

Pour installer un kit de rack à deux montants, vous devez effectuer les tâches suivantes dans l'ordre dans lequel elles sont indiquées :

- 1 Marquage du rack
- 2 Installation des rails coulissants dans le rack :
  - Installation à montage central
  - Installation à encastrement
- 3 Installation du système dans le rack
- 4 Installation du bras de maintien des câbles
- 5 Routage des câbles

## Outils et fournitures recommandés

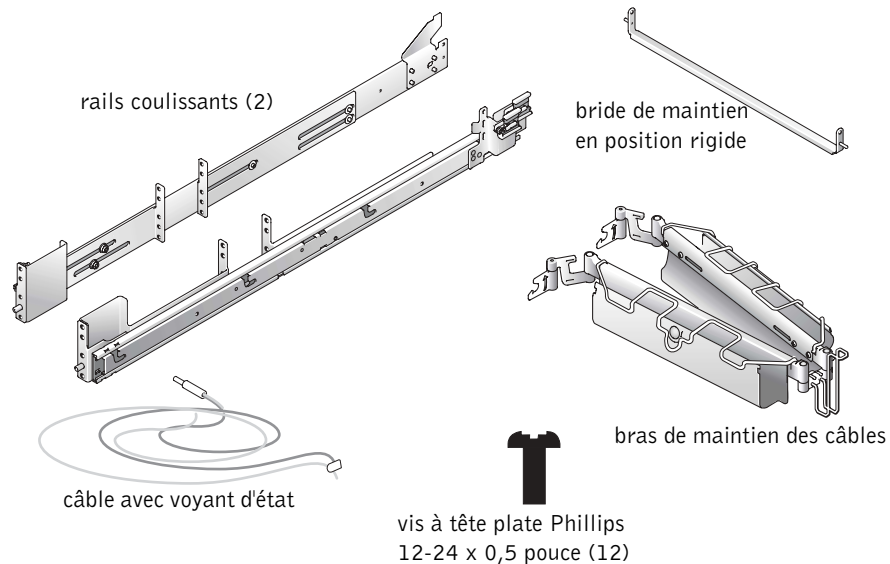
Les outils et fournitures suivants peuvent être nécessaires pour installer le système dans un rack de relais à deux montants à châssis ouvert :

- Tournevis Phillips n°2
- Clé 11/32 pouces ou clé à pipe (si vous optez pour une configuration à encastrement)
- De la bande adhésive ou un stylo feutre pour marquer les trous de montage à utiliser

## Contenu du kit du rack

Le kit du rack à deux montants comprend les éléments suivants (voir la Figure 2-12) :

- Une paire de rails coulissants (deux montants)
- Une bride de maintien en position rigide
- Un bras de maintien des câbles
- Un câble avec voyant d'état
- Douze vis à tête plate Phillips 12-24 x 0,5 pouce
- Des fixe-câbles (non représentés à la Figure 2-12)

**Figure 2-12. Composants du kit de rack à deux montants**

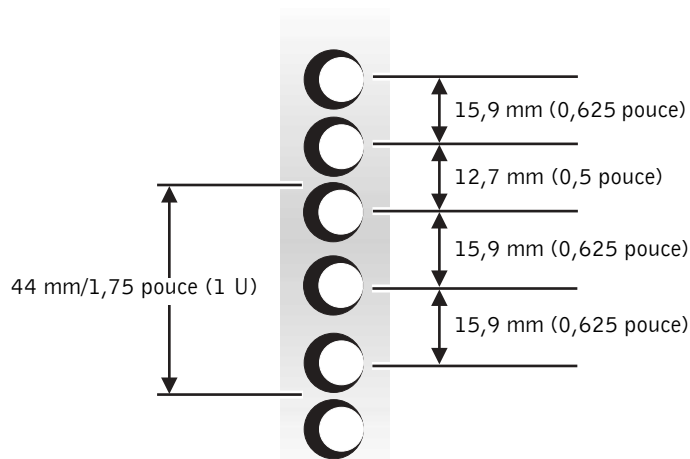
### Marquage du rack

Vous devez laisser un espace vertical de 2 U (88 mm ou 3,5 pouces) pour chaque système installé dans le rack à deux montants.

### Racks à espacement universel des trous

Les rack à deux montants conformes aux normes de l'industrie et présentant un espacement universel des trous alternent un groupe de trois trous par U (unité). Les espacements entre chacun des trois trous, mesurés du centre d'un trou jusqu'au centre du trou suivant (en commençant par le trou supérieur d'un espace de 1 U) sont respectivement de 15,9 mm, 15,9 mm et 12,7 mm (0,625 pouce, 0,625 pouce et 0,5 pouce) pour la colonne verticale avant et arrière des trous (voir la Figure 2-13).

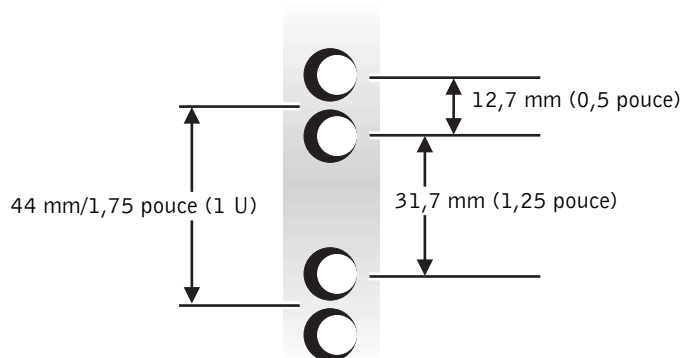
**Figure 2-13. Espacement universel des trous sur un rack de relais à 2 montants avec châssis ouvert**



### **Racks à espacement large des trous**

Certains rack à deux montants conformes aux normes de l'industrie et présentant un espacement large des trous alternent un groupe de deux trous par U (unité). Les espacements entre chacun des deux trous, mesurés du centre d'un trou jusqu'au centre du trou suivant (en commençant par le trou supérieur d'un espace de 1 U) sont respectivement de 31,7 mm et 12,7 mm (1,25 pouce et 0,5 pouce) pour la colonne verticale avant et arrière des trous (voir la Figure 2-14).

**Figure 2-14. Espacement large des trous sur un rack de relais à 2 montants avec châssis ouvert**



Pour marquer le rack, procédez comme suit :

- 1 Placez une marque sur les rails verticaux avant du rack, à l'endroit correspondant au bas du système à installer dans le rack à deux montants.

La partie inférieure de chaque espacement de 1 U se trouve au centre de la zone métallique la plus étroite entre les trous.

**REMARQUE :** Si votre rack est doté d'un espacement large entre les trous, passez à l'étape 3.

- 2 Placez une marque à 88 millimètres (3,5 pouces) au-dessus de la marque originale que vous avez faite (ou comptez jusqu'à six trous dans un rack doté d'un espacement universel des trous) (voir la Figure 2-13).

Chaque unité 1 U (soit 44 millimètres ou 1,75 pouce) d'espace vertical dans un rack à espacement universel des trous comporte trois trous. Les espacements entre chacun des trois trous, mesurés du centre d'un trou jusqu'au centre du trou suivant (en commençant par le trou supérieur d'un espace de 1 U) sont respectivement de 15,9 mm, 15,9 mm et 12,7 mm (0,625 pouce, 0,625 pouce et 0,5 pouce) (voir la Figure 2-13).

**REMARQUE :** Si votre rack présente un espacement universel des trous, la procédure de marquage est maintenant terminée.


- 3 Placez une marque à 88 millimètres (3,5 pouces) au-dessus de la marque originale que vous avez faite (ou comptez jusqu'au quatrième trou suivant dans un rack doté d'un espacement large des trous) (voir la Figure 2-14).



Chaque unité 1 U (soit 44 millimètres ou 1,75 pouce) d'espace vertical dans un rack à espacement universel des trous comporte deux trous. Les espacements entre chacun des trois trous, mesurés du centre d'un trou jusqu'au centre du trou suivant (en commençant par le trou supérieur d'un espace de 1 U) sont de 31,7 mm (1,25 pouce) (voir la Figure 2-14).

## Installation des rails coulissants dans le rack

Vous pouvez installer les rails coulissants dans un rack à deux montants à châssis ouvert doté d'un espacement universel des trous (voir la Figure 2-13) ou d'un espacement large des trous (voir la Figure 2-14). Vous pouvez installer les rails coulissants 2 U dans une configuration à encastrement ou à montage central.

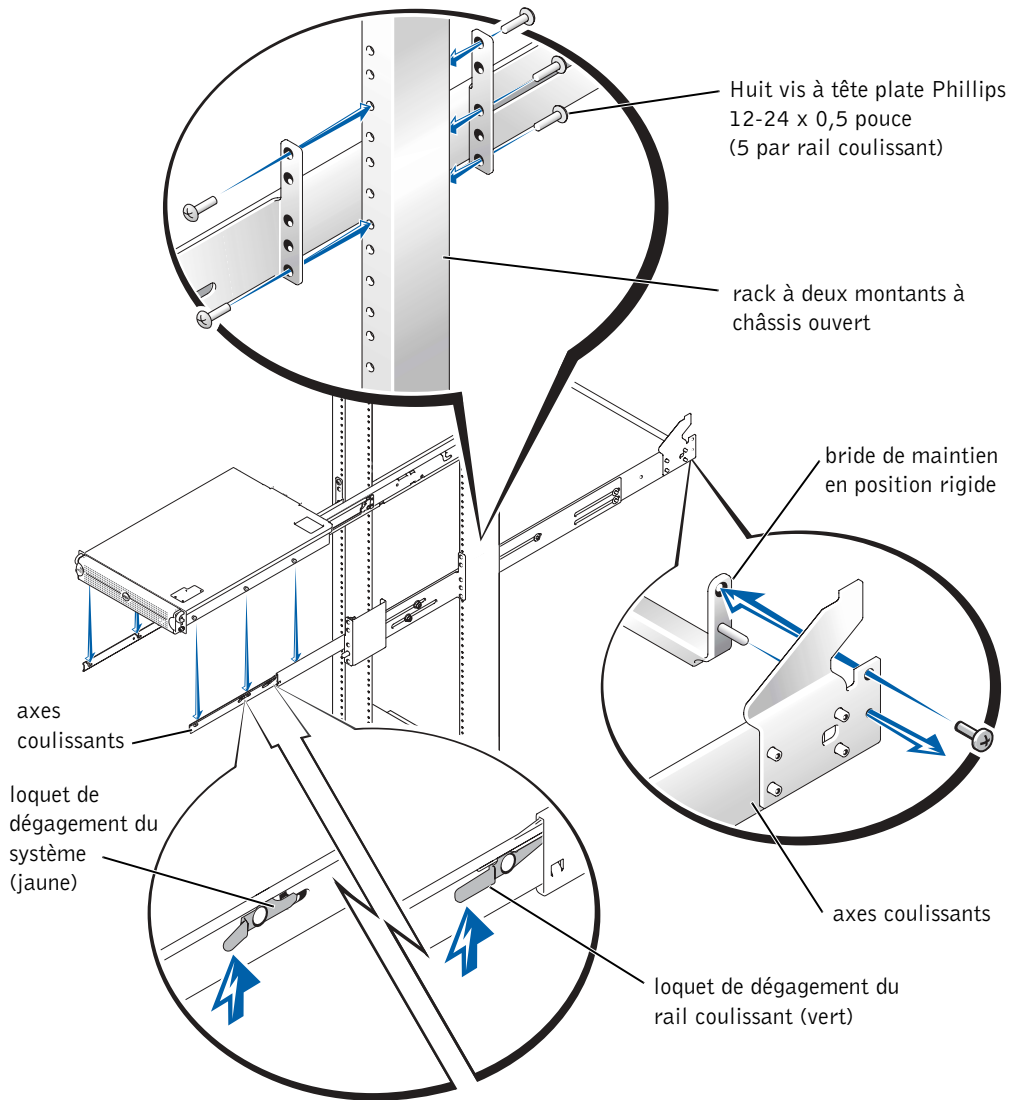
 **ATTENTION : N'essayez pas d'installer d'autre système avec ce kit de rack. Utilisez uniquement le kit de rack prévu pour votre système. Si vous employez le kit d'un autre système, vous risquez d'endommager le système et d'exposer autrui et vous-même à des risques de blessures.**

### Installation à montage central

Le kit de rack à deux montants est fourni avec des supports configurés pour une installation à montage central. Pour terminer l'installation, procédez comme suit :

- 1 Repérez le rail coulissant droit et poussez le support arrière vers l'arrière du rail coulissant (voir la Figure 2-15).
- 2 Positionnez le rail coulissant droit dans le rack à deux montants à l'emplacement que vous avez marqué, poussez le support arrière vers l'avant contre le rack vertical à deux montants, fixez la bride de montage centrale avant à l'aide de deux vis à tête Phillips 12-24 x 0,5 pouce, puis fixez la bride de montage centrale arrière au rack à l'aide de trois vis à tête Phillips 12-24 x 0,5 pouce (voir la Figure 2-15).
- 3 Répétez les étapes 1 et 2 pour installer le rail coulissant gauche dans le rack.
- 4 Installez la bride de maintien en position rigide entre les extrémités arrière des rails coulissants et fixez la bride avec une vis Phillips 12-24 x 0,5 pouce sur chaque rail coulissant (voir la Figure 2-15).

**Figure 2-15. Installation des rails coulissants pour une configuration à montage central**



## Installation à encastrement

Le kit de rack à deux montants est fourni avec des supports configurés pour une installation à montage central. Pour préparer les rails coulissants pour une installation à encastrement dans le rack à deux montants, procédez comme suit :

- 1 Repérez les deux rails coulissants et placez-les côte à côte sur une surface de travail lisse, en orientant les extrémités avant des rails vers vous. Positionnez les deux rails coulissants de façon à ce que les supports centraux soient orientés vers le haut (voir la Figure 2-16).

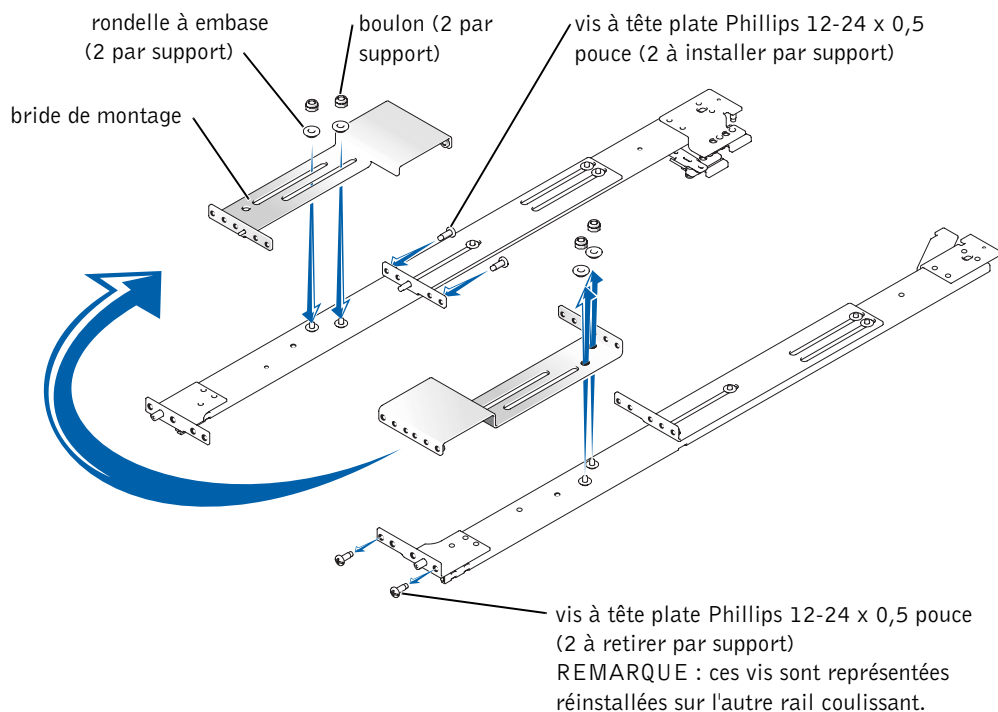


**REMARQUE :** Pour préparer les rails coulissants pour une installation à encastrement, retirez le support de montage avant, faites-le pivoter de 180 degrés, puis réinstallez-le sur le rail coulissant opposé.

- 2 A l'aide d'un tournevis Phillips n° 2 et d'une clé 11/32 pouces ou d'une clé à pipe, retirez deux vis Phillips 12-24 x 0,5 pouce, deux boulons et deux rondelles à embase de chaque support central avant (voir la Figure 2-16).
- 3 Retirez le support avant des deux rails coulissants.
- 4 Placez le support d'un rail coulissant sur les goujons filetés du rail opposé, en ayant fait pivoter le support de 180 degrés afin d'orienter face vers l'avant la bride de montage (voir la Figure 2-16).
- 5 Resserrez à la main chaque support de montage central avant (à l'aide de ses boulons et de ses rondelles à embase) sur leur côté opposé à l'aide des deux rondelles à embase et des deux boulons que vous avez retirés à l'étape 2 (voir la Figure 2-16).

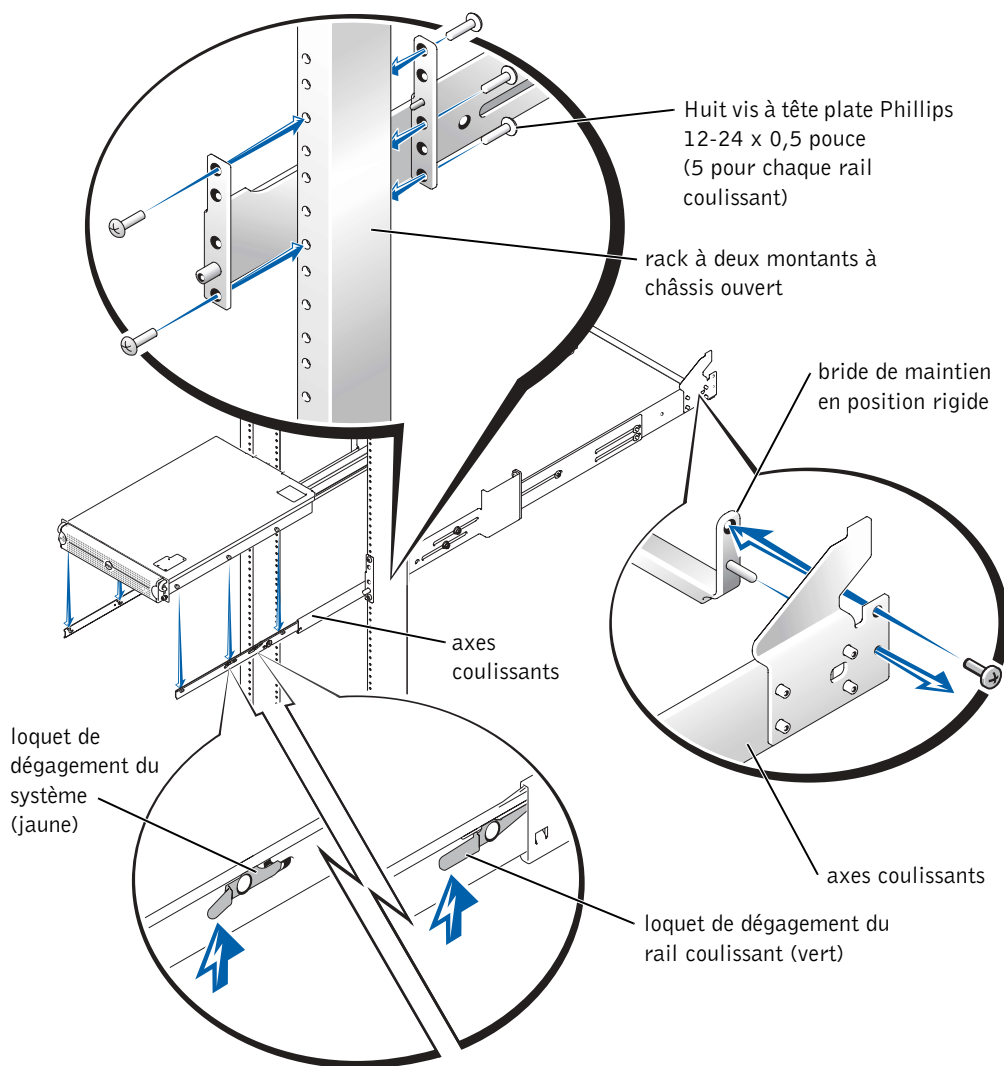
Le support ainsi assemblé devient le nouveau support arrière étendu.

**Figure 2-16. Rotation du support de montage avant pour une installation à encastrement**




- 6** Répétez les étapes 4 à 5 pour configurer l'autre rail coulissant.
- 7** En maintenant le rail coulissant gauche à l'emplacement que vous avez marqué dans le rack à deux montants, effectuez un réglage serré du support arrière étendu contre l'arrière du rack vertical à deux montants, et fixez-le à l'aide de trois vis à tête Phillips 12-24 x 0,5 pouce (voir la Figure 2-17).
- 8** Fixez le support avant sur le rail coulissant au rack à deux montants à l'aide de deux vis à tête plate Phillips 12-24 x 0,5 pouce (voir la Figure 2-17).
- 9** Répétez les étapes 7 et 8 pour installer le rail coulissant droit dans le rack.
- 10** A l'aide d'une clé 11/32 pouces ou d'une clé à pipe, resserrez à fond les boulons que vous aviez serrés à la main sur les supports de montage des deux rails coulissants.
- 11** Installez la bride de maintien en position rigide entre les extrémités arrière des rails coulissants et fixez la bride avec une vis Phillips 12-24 x 0,5 pouce sur chaque rail coulissant (voir la Figure 2-17).

**Figure 2-17. Installation des rails coulissants pour une configuration à encastrement**



## Installation du système dans le rack

 **ATTENTION** : En raison de la taille et du poids du système, ne tentez jamais de l'installer seul.

 **REMARQUE** : La procédure d'installation d'un système dans un rack est identique à celle des rails coulissants à encastrement ou à montage central.

1 Tirez à fond les rails coulissants vers l'extérieur.

 **ATTENTION** : En raison de la taille et du poids du système, ne tentez jamais de l'installer seul dans les rails coulissants.

2 Soulevez le système pour le placer en bonne position (voir la Figure 2-17).

3 Placez une main sur la partie inférieure avant du système et l'autre main sur la partie inférieure arrière du système.

4 Inclinez l'arrière du système vers le bas tout en faisant correspondre les vis à épaulement arrière, sur les côtés du système, avec les fentes arrière des rails coulissants.


5 Engagez les vis à épaulement arrière dans leurs fentes.

6 Abaissez l'avant du système et engagez les vis à épaulement avant et centrale dans leurs fentes (la fente centrale se trouve juste derrière le loquet de dégagement jaune du système) (voir la Figure 2-17).

Lorsque toutes les vis à épaulement sont en place, le loquet jaune sur chaque rail coulissant s'enclenche et verrouille le système dans le rail coulissant.

7 Exercez une pression vers le haut sur le loquet de dégagement vert de chaque rail pour faire coulisser le système entièrement dans le rack (voir la Figure 2-17).

8 Enfoncez et serrez les vis à molette captives situées de chaque côté du panneau du châssis avant pour fixer le système sur le rack.

 **REMARQUE** : Utilisez toujours le loquet jaune pour retirer le système des rails coulissants.

## Installation du bras de maintien des câbles

Reportez-vous à « Installation du bras de maintien des câbles » dans la section « Installation d'un rack à quatre montants » au début de ce document.

## Routage des câbles

Reportez-vous à « Routage des câbles » dans la section « Installation d'un rack à quatre montants » au début de ce document.

Vous avez maintenant terminé l'installation du kit de rack dans un rack à deux montants.

# Index

## B

bras de maintien des câbles  
installation 15, 30  
routage des câbles 19, 30

bride de maintien en position  
rigide 21  
installation 25, 28

## C

câbles 19

contenu du kit  
RapidRails 4  
VersaRails 6

## I

installation  
rails coulissants pour kit à deux  
montants 25  
rails coulissants RapidRails 9  
rails coulissants VersaRails 11

installation dans un rack  
système 13, 14

installation du bras de  
maintien des câbles 30

installation du système  
rack à deux montants 30  
rack à quatre montants 13

instructions de sécurité 1

## K

kit à deux montants 21  
bride de maintien en position  
rigide 21, 28  
contenu 21  
installation à encastrement 27  
installation à montage  
central 25  
installation des rails  
coulissants 25  
installation du bras de  
maintien des câbles 30  
installation du système 30  
marquage du rack 22  
outils 21  
routage des câbles 30  
tâches 21

kit à quatre montants  
contenu du kit RapidRails 4  
contenu du kit VersaRails 5  
installation du bras de  
maintien des câbles 15  
installation du système 13  
marquage du rack 7  
outils 4  
rails coulissants RapidRails 9  
rails coulissants VersaRails 11  
routage des câbles 18

tâches 6

## L

liste du contenu  
kit à deux montants 21  
kit RapidRails 4  
kit VersaRails 5

## M

marquage du rack  
kit à deux montants 22  
kit à quatre montants 7

## O

outils 21  
kit à quatre montants 4

## P

pieds stabilisateurs du rack 4

portes  
remise en place 20  
retrait 7

précautions de montage des  
racks 3

## **R**

rails verticaux

  marquage 7

  unité à un rack 8

RapidRails contenu du kit 4

routage des câbles 18, 30

## **S**

spécifications de rack requises  
  pour les rails VersaRails 3

## **T**

tâches

  kit à deux montants 21

  kit à quatre montants 6

## **U**

unité de rack 8

## **V**

VersaRails contenu du kit 5



Dell™-Systeme

# Rack- Installationsanleitung



# HINWEIS, BITTE BEACHTEN und VORSICHT



**HINWEIS:** Ein HINWEIS enthält wichtige Informationen, mit deren Hilfe Sie Ihren Computer besser nutzen können.



**BITTE BEACHTEN:** BITTE BEACHTEN weist auf eine mögliche Beschädigung von Hardware oder den Verlust von Daten hin und beschreibt, wie dieses Problem vermieden werden kann.



**VORSICHT: VORSICHT** weist darauf hin, dass die Gefahr eines Sachschadens oder Personenschadens bzw. Lebensgefahr besteht.

---

**Die in diesem Dokument enthaltenen Informationen können ohne Vorankündigung geändert werden.  
© 2002 Dell Computer Corporation. Alle Rechte vorbehalten.**

Eine Reproduktion dieses Dokuments in jeglicher Form ist nur mit vorheriger schriftlicher Genehmigung der Dell Computer Corporation erlaubt.

Die in diesem Text verwendeten Warenzeichen: *Dell*, das *DELL*-Logo, *RapidRails* und *VersaRails* sind Warenzeichen der Dell Computer Corporation.

Andere in diesem Dokument möglicherweise verwendete Warenzeichen und Handelsbezeichnungen sind unter Umständen Marken und Namen der entsprechenden Firmen oder ihrer Produkte. Die Dell Computer Corporation erhebt keinen Anspruch auf Warenzeichen oder Handelsnamen mit Ausnahme ihrer eigenen.

# Inhalt

<b>VORSICHT: Sicherheitshinweise</b> . . . . .	<b>3-1</b>
Montage von Systemen im Rack . . . . .	3-1
<b>Installationsanleitung</b> . . . . .	<b>3-2</b>
<b>Montage in einem Rack mit vier Stützen</b> . . . . .	<b>3-3</b>
Bevor Sie beginnen . . . . .	3-3
Empfohlene Werkzeuge und Zubehörteile . . . . .	3-4
Inhalt des RapidRails-Rack-Kits . . . . .	3-5
Inhalt des VersaRails-Rack-Kits . . . . .	3-5
Installationsarbeiten . . . . .	3-6
Entfernen der Rack-Türen . . . . .	3-6
Markieren des Racks . . . . .	3-7
Einbau der RapidRails-Gleitschienen . . . . .	3-9
Einbau der VersaRails-Gleitschienen . . . . .	3-11
Einbau des Systems im Rack . . . . .	3-13
Einbau des Kabelarms . . . . .	3-15
Verlegen der Kabel . . . . .	3-18
Wiederanbringen der Rack-Türen . . . . .	3-20
<b>Montage in einem Zwei-Stützen-Rack</b> . . . . .	<b>3-20</b>
Schritte für die Installation des Racks mit zwei Stützen . . . . .	3-21
Empfohlene Werkzeuge und Zubehörteile . . . . .	3-21
Inhalt des Rack-Kits . . . . .	3-21
Markieren des Racks . . . . .	3-22
Einbau der Gleitschienen im Rack . . . . .	3-24
Einbau des Systems im Rack . . . . .	3-30
Einbau des Kabelarms . . . . .	3-31
Verlegen der Kabel . . . . .	3-31

## Abbildungen

Abbildung 3-1.	Inhalt des RapidRails-Rack-Kits . . . . .	3-5
Abbildung 3-2.	Inhalt des VersaRails-Rack-Kits . . . . .	3-6
Abbildung 3-3.	Eine Rack-Einheit . . . . .	3-7
Abbildung 3-4.	Markieren der vertikalen Schienen . . . . .	3-9
Abbildung 3-5.	Einbau der RapidRails-Gleitschienen . . . . .	3-10
Abbildung 3-6.	Einbau der VersaRails-Gleitschienen . . . . .	3-12
Abbildung 3-7.	Installation des Systems im Rack (RapidRails oder VersaRails) . . . . .	3-14
Abbildung 3-8.	Einbau des Kabelarms . . . . .	3-16
Abbildung 3-9.	Einbau des Kabelarms . . . . .	3-17
Abbildung 3-10.	Verlegen der Netzkabel . . . . .	3-18
Abbildung 3-11.	Verlegen der Kabel . . . . .	3-19
Abbildung 3-12.	Komponenten des Zwei-Stützen-Rack-Kits . . . . .	3-22
Abbildung 3-13.	Universeller Lochabstand beim offenen Relaisgestell mit zwei Stützen . . . . .	3-23
Abbildung 3-14.	Weiter Lochabstand beim offenen Relaisgestell mit zwei Stützen . . . . .	3-24
Abbildung 3-15.	Montage der Gleitschienen für die Mittenmontage . . . . .	3-26
Abbildung 3-16.	Drehen der vorderen Montagehalterung für bündige Montage . . . . .	3-28
Abbildung 3-17.	Einbau der Gleitschienen für die bündige Montage . . . . .	3-29


# **VORSICHT: Sicherheitshinweise**

Beachten Sie die nachfolgenden Sicherheitshinweise, um Ihre eigene Sicherheit zu gewährleisten und eine Beschädigung Ihres Systems sowie Ihrer Arbeitsumgebung zu vermeiden. Vollständige Informationen über die Sicherheitsanforderungen finden Sie in den *Systeminformationen*.


## **Montage von Systemen im Rack**

Folgende Vorsichtsmaßnahmen dienen der Stabilität und Sicherheit des Racks.


Systeme gelten als Komponenten in einem Rack. Der Begriff „Komponente“ kann also ein beliebiges System oder verschiedene Peripheriegeräte oder Zusatzhardware bezeichnen.

 **VORSICHT: Werden Systemkomponenten in einem Rack montiert, an dem die vorderen und seitlichen Stabilisatoren fehlen, kann das Rack umkippen, was unter Umständen schwere Verletzungen zur Folge haben kann. Befestigen Sie daher grundsätzlich zuerst die Stabilisatoren, bevor Sie Komponenten im Rack einbauen.**

**Ziehen Sie nach dem Einbau von Systemen/Komponenten in einem Rack niemals mehr als eine Komponente gleichzeitig auf ihren Gleitschienen aus dem Rack. Durch das Gewicht von mehr als einer Komponente kann das Rack umkippen und Verletzungen verursachen.**

 **HINWEIS:** Ihr System ist als frei stehende Einheit und für die Verwendung als Komponente in Dell™-Gestellschränken sicherheitszertifiziert, wobei das Customer Rack Kit eingesetzt werden muss. Der Einbau Ihres Systems und Rack-Kits in anderen Gestellschränken wurde von keiner Prüfbehörde untersucht. Sie sind selbst dafür verantwortlich, dass die endgültige Kombination von System und Rack alle geltenden Sicherheitsstandards und lokale Stromrichtlinien erfüllt. Dell lehnt jede Haftung und Gewährleistung für solche Kombinationen ab.

- System-Rack-Kits müssen von geschulten Servicetechnikern in einem Rack montiert werden. Wenn Sie das Kit in ein anderes Rack einbauen, vergewissern Sie sich, dass das Rack die Spezifikationen eines Dell-Racks erfüllt.

 **VORSICHT: Racks sollten nie von einer Person alleine verschoben werden. Wegen der Höhe und des Gewichtes des Racks sollte diese Arbeit von mindestens zwei Personen durchgeführt werden.**

## **VORSICHT: Sicherheitshinweise**

- Bevor Sie an einem Rack arbeiten, vergewissern Sie sich, dass die Stabilisatoren am Rack befestigt sind, bis auf den Boden reichen und dass das gesamte Gewicht des Racks auf dem Boden lastet. Montieren Sie an einem einzelnen Rack vordere und seitliche Stabilisatoren, an mehreren miteinander verbundenen Racks vordere Stabilisatoren, bevor Sie Arbeiten am Rack durchführen.
- Bestücken Sie das Rack immer von unten nach oben und bauen Sie die schwerste Komponente zuerst in das Rack ein.
- Vergewissern Sie sich, dass das Rack gerade und stabil steht, bevor Sie eine Komponente aus dem Rack ziehen.
- Achten Sie auf Ihre Finger, wenn Sie auf die Schienenverriegelung der Komponente drücken und eine Komponente in das Rack schieben oder aus dem Rack ziehen: Quetschgefahr!
- Wenn Sie eine Komponente in das Rack eingesetzt haben, ziehen Sie die Schienen vorsichtig in eine Verriegelungsposition heraus und schieben Sie dann die Komponente in das Rack.
- Überlasten Sie nicht den Wechselstromkreis, über den das Rack mit Strom versorgt wird. Die Gesamtlast des Racks sollte 80 Prozent der Nennbelastbarkeit des Stromkreises nicht überschreiten.
- Überprüfen Sie, ob eine ausreichende Luftzufuhr zu den Komponenten im Rack gewährleistet ist.
- Treten Sie nicht auf Komponenten oder stellen sich darauf, wenn Sie an anderen Komponenten in einem Rack Arbeiten durchführen.

## **Installationsanleitung**


Diese Installationsanleitung enthält Anweisungen für geschulte Servicetechniker zur Montage eines oder mehrerer Systeme in einem offenen Relaisgestell oder einem Gestellschrank. Das RapidRails™ Rack-Kit kann ohne Werkzeug in sämtlichen Gestellschränken des Herstellers installiert werden, das VersaRails™ Rack-Kit in vielen Standardgestellschränken. Die Montage der RapidRails- und VersaRails-Rack-Kits verläuft ähnlich. Für jedes in den Gestellschrank eingebaute System wird ein Rack-Kit benötigt.

Diese Anleitung beschreibt die Vorgehensweise für folgende Rack-Kits:

- RapidRails-Kit in einem Gestellschrank mit vier Stützen
- VersaRails-Kit in einem Gestellschrank mit vier Stützen
- Zwei-Stützen-Kit (entweder für Mittenmontage oder bündige Montage in 3 oder 6 Zoll breiten Racks)

Zur leichten Fehlersuche und Überprüfung des Systemzustands enthalten alle diese Rack-Kits ein Statusanzeigenkabel, das die Daten von den zweifarbigen Statusanzeigen an der Vorder- und Rückwand zur Rückseite des Kabelarms leitet. Weitere Informationen zu diesen Anzeigen finden Sie im *Benutzerhandbuch* Ihres Systems.

Bevor Sie mit der Installation beginnen, lesen Sie dieses gesamte Dokument sorgfältig durch.

 **VORSICHT: Installieren Sie keine Rack-Kit-Komponenten, die für andere Systeme vorgesehen sind. Verwenden Sie ausschließlich das für Ihr System konzipierte Rack-Kit. Wenn Sie das Rack-Kit für ein anderes System verwenden, könnte das System beschädigt und Sie selbst oder andere Personen verletzt werden.**

### Rack-Anforderungen für VersaRails


 **BITTE BEACHTEN:** Das VersaRails-Rack-Kit muss von geschulten Servicetechnikern in einem Rack installiert werden, das den Spezifikationen des American National Standards Institute (ANSI) / Electronic Industries Association (EIA) Standard ANSI/EIA-310-D-92, der International Electrotechnical Commission (IEC) 297 und der Deutschen Industrie Norm (DIN) 41494 entspricht. Für jedes System, das in einem Rack installiert wird, wird ein Rack-Kit benötigt.

## Montage in einem Rack mit vier Stützen

Bevor Sie mit der Installation beginnen, lesen Sie diese gesamte Prozedur sorgfältig durch.

### Bevor Sie beginnen

Lesen Sie vor der Installation Ihres Systems im Rack sorgfältig die Sicherheitshinweise am Anfang dieser Anleitung sowie die Sicherheitshinweise im Dokument *Systeminformation* für Ihr System.

 **VORSICHT: Wenn Sie mehrere Systeme in einem Rack einbauen, führen Sie immer zuerst sämtliche Installationsschritte für das gerade montierte System durch, bevor Sie mit dem nächsten System beginnen.**

**⚠ VORSICHT:** Gestellschränke können sehr schwer sein und leicht auf ihren Rollen wegrollen. Die Schränke haben keine Bremsen. Bewegen Sie den Gestellschrank nur mit größter Vorsicht. Fahren Sie die höhenverstellbaren Füße ein, bevor Sie den Gestellschrank verschieben. Vermeiden Sie lange bzw. steile Neigungen oder Rampen, auf denen Sie die Kontrolle über den Gestellschrank verlieren könnten. Fahren Sie die höhenverstellbaren Füße aus, damit der Gestellschrank abgestützt wird und nicht wegrollen kann.

### Wichtige Sicherheitshinweise

Beachten Sie beim Einbau Ihres Systems im Rack die Sicherheitsmaßnahmen in den folgenden Unterabschnitten.

**⚠ VORSICHT:** Befolgen Sie die in diesem Dokument angegebenen Prozeduren genau, um sich selbst und Ihre Mitarbeiter nicht zu gefährden. Ihr System kann sehr groß und schwer sein. Sie sollten die Installation sorgfältig vorbereiten und planen, um Verletzungen zu vermeiden. Dies gilt besonders, wenn Systeme weiter oben im Rack installiert werden.

### Rack-Stabilisatoren

**⚠ VORSICHT:** Werden Systeme in einem Rack installiert, an dem die vorderen und seitlichen Stabilisatoren fehlen, kann das Rack umkippen, was unter Umständen schwere Verletzungen nach sich ziehen kann. Befestigen Sie daher immer zuerst die Stabilisatoren, bevor Sie Komponenten im Rack installieren.

**⚠ VORSICHT:** Wenn Sie Systeme in einem Rack installiert haben, ziehen Sie niemals mehr als ein System gleichzeitig auf den Gleitschienen aus dem Rack. Durch das Gewicht von mehr als einem herausgezogenen System kann das Rack umkippen, was Verletzungen hervorrufen kann.

Die Stabilisatoren verhindern, dass das Rack umkippt, wenn ein System oder eine andere Komponente auf den Gleitschienen vollständig aus dem Rack gezogen wird. Eine Anleitung zur Montage und Verankerung der Stabilisatoren finden Sie in der Dokumentation des Gestellschranks.

### Empfohlene Werkzeuge und Zubehörteile

Für die Installation des Systems in einem Rack mit vier Stützen benötigen Sie eventuell folgende Werkzeuge und Zubehörteile:

- Einen Kreuzschlitz-Schraubendreher Nr. 2 (für die Befestigung der VersaRails-Gleitschienen)
- Krepband oder einen Filzstift zur Markierung der verwendeten Montagelöcher

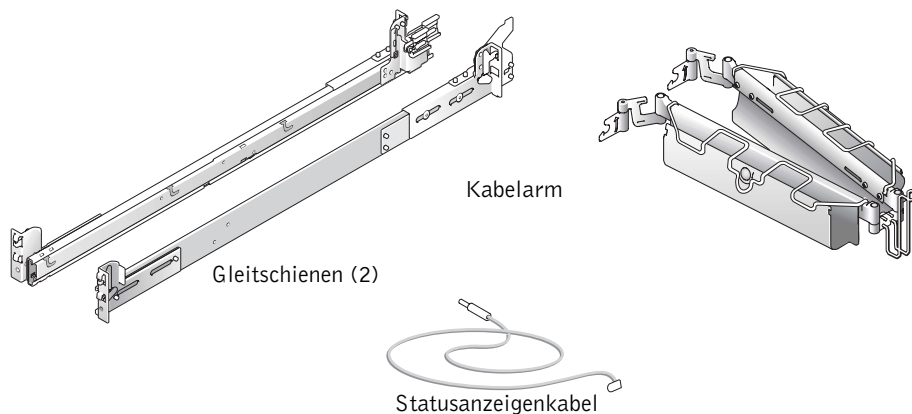


## Inhalt des RapidRails-Rack-Kits

Das RapidRails-Rack-Kit enthält folgende Teile (siehe Abbildung 3-1):

- Ein Paar RapidRails-Gleitschienen
- Ein Kabelarm
- Ein Statusanzeigenkabel
- Kabelbinder (in Abbildung 3-1 nicht dargestellt)

**Abbildung 3-1. Inhalt des RapidRails-Rack-Kits**

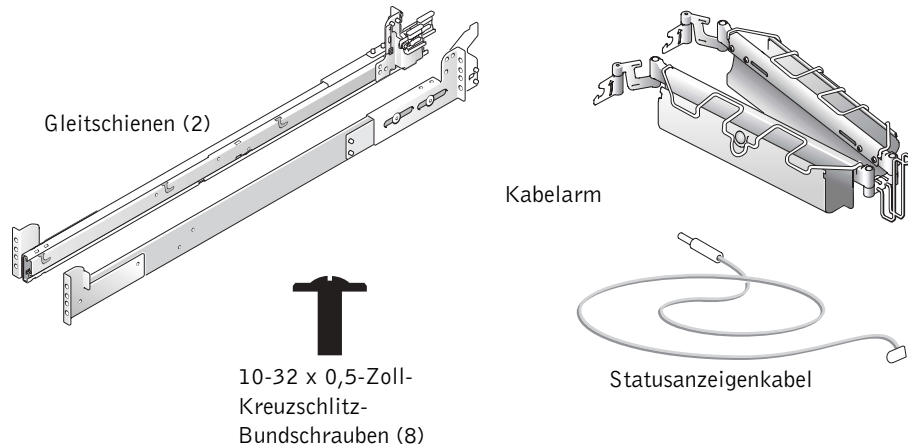


## Inhalt des VersaRails-Rack-Kits

Das VersaRails-Rack-Kit enthält folgende Teile (siehe Abbildung 3-2):

- Ein Paar VersaRails-Gleitschienen
- Ein Kabelarm
- Ein Statusanzeigenkabel
- Acht 10-32 x 0,5-Zoll Kreuzschlitz-Bundschrauben
- Kabelbinder (in Abbildung 3-2 nicht dargestellt)

**HINWEIS:** Die in den Abbildungen und Prozeduren genannten nichtmetrischen Schrauben werden nach ihrer Größe und der Anzahl der Windungen pro Zoll bezeichnet. So wird z.B. eine Kreuzschlitzschraube Nr. 10 mit 32 Windungen pro Zoll als 10-32-Schraube bezeichnet.

**Abbildung 3-2. Inhalt des VersaRails-Rack-Kits**

## Installationsarbeiten

Bei der Montage eines Rack-Kits sind die Arbeitsschritte in folgender Reihenfolge auszuführen:

- 1 Entfernen der Rack-Türen
- 2 Markieren des Racks
- 3 Installation der Gleitschienen im Rack:
  - Einbau der RapidRails
  - Einbau der VersaRails
- 4 Einbau des Systems im Rack
- 5 Einbau des Kabelarms
- 6 Verlegen der Kabel
- 7 Wiederanbringen der Rack-Türen

## Entfernen der Rack-Türen

Siehe Ablauf zum Entfernen der Türen in der Dokumentation Ihres Gestellschranks.



**VORSICHT: Die Gestellschrankschranktüren sind sehr groß und schwer, also dürfen sie niemals durch eine Einzelperson entfernt oder eingebaut werden.**

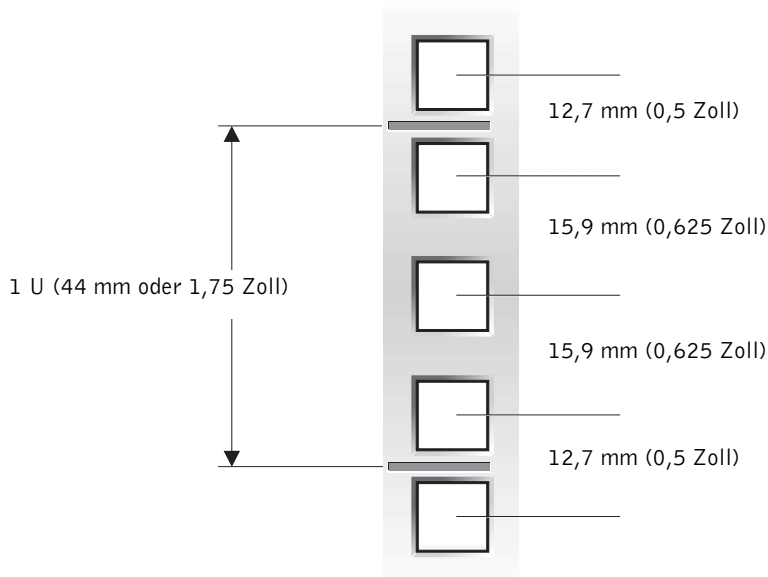
**⚠ VORSICHT:** Stellen Sie die Türen an einen Ort, wo niemand verletzt werden kann, falls die Türen versehentlich umfallen.


## Markieren des Racks

Zwischen den einzelnen Systemen, die Sie im Rack installieren, müssen Sie einen vertikalen Abstand von jeweils 2 U (88 mm bzw. 3,5 Zoll) lassen. Gestellschränke, die den EIA-310-Standards entsprechen, haben ein sich wiederholendes Muster aus drei Löchern pro Rack-Einheit, deren Mittenabstand zueinander (beginnend mit dem oberen Loch einer 1-U-Einheit) 15,9 mm, 15,9 mm und 12,7 mm (0,625, 0,625 und 0,5 Zoll) an den vorderen und hinteren vertikalen Schienen beträgt (siehe Abbildung 3-3). Die Gestellschränke haben meist runde oder rechteckige Löcher.

**🔍 HINWEIS:** Die vertikalen Schienen sind eventuell in Abständen von 1 U mit horizontalen Linien und Zahlen markiert. Am besten notieren Sie sich die Nummer der Markierung an der vertikalen Schiene des Racks. So brauchen Sie keine zusätzlichen Markierungen oder Kreppband am Rack anzubringen. Wenn Sie sich für dieses Verfahren entscheiden, gehen Sie direkt zum Abschnitt „Einbau der RapidRails-Gleitschienen“.

**Abbildung 3-3. Eine Rack-Einheit**



 **VORSICHT: Wenn Sie mehr als ein System installieren, montieren Sie die Gleitschienen so, dass das erste System in die unterste mögliche Position im Rack zu liegen kommt.**

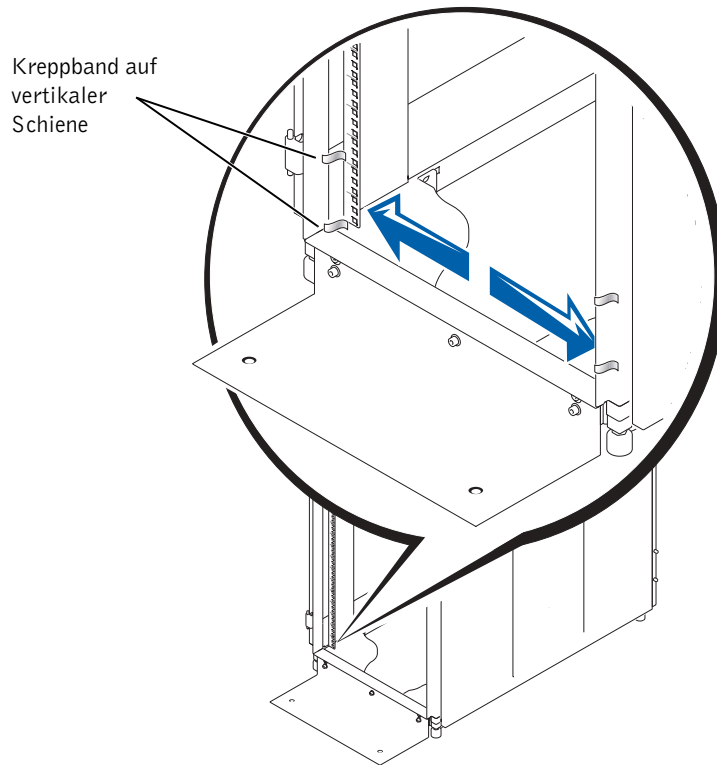
Zum Markieren des Racks gehen Sie wie folgt vor:

- 1** Bringen Sie auf den vorderen vertikalen Schienen des Racks eine Markierung an der Stelle an, an der sich die Unterseite des neuen Systems im Gestellschrank befinden soll.

Die Unterkante jeder 1-U-Einheit befindet sich in der Mitte des schmalsten Metallstücks zwischen den Löchern (bei einigen Gestellschränken mit einer horizontalen Linie gekennzeichnet; siehe Abbildung 3-4).

- 2** Bringen Sie 88 mm (3,5 Zoll) über Ihrer ersten Markierung eine weitere Markierung an (oder zählen Sie in einem Rack nach EIA-310-Standard sechs Löcher nach oben). Markieren Sie die vorderen vertikalen Schienen des Racks mit einem Filzstift oder einem Stück Kreppband. Falls Sie die Löcher gezählt haben, bringen Sie direkt über dem obersten Loch eine Markierung an. Die Markierung oder das Kreppband zeigt die spätere Position der Oberkante des Systems an den vertikalen Schienen (siehe Abbildung 3-4).

**Abbildung 3-4. Markieren der vertikalen Schienen**

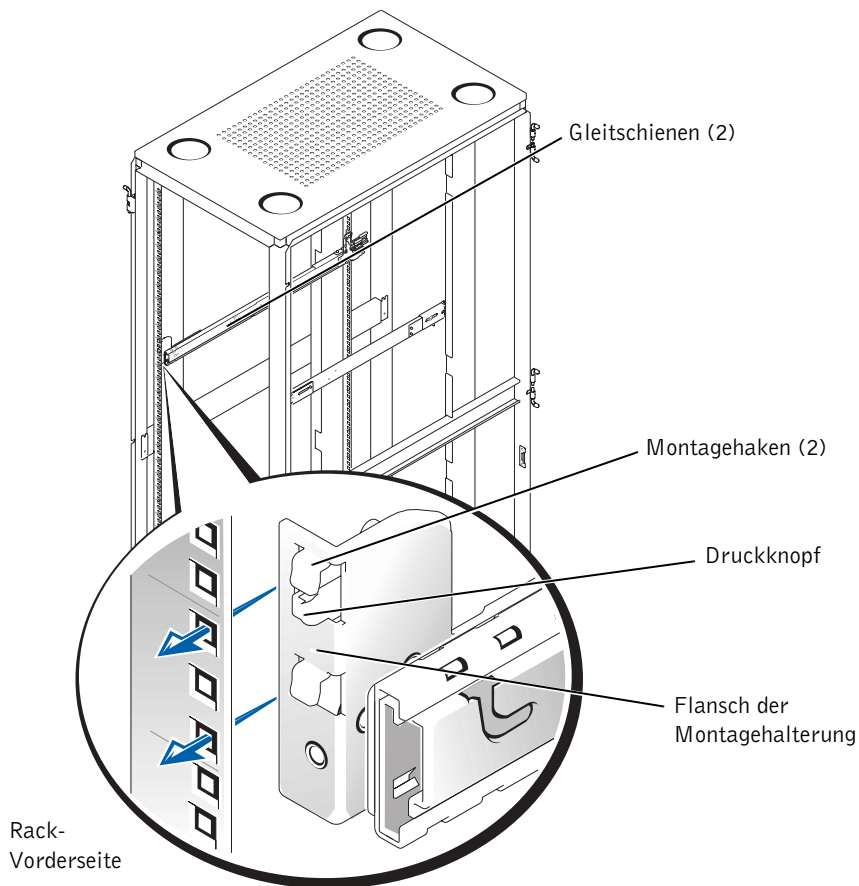


### **Einbau der RapidRails-Gleitschienen**

- 1** Setzen Sie eine der RapidRails-Gleitschienen so an der Vorderseite des Gestellschranks an, dass der Montagehalterungsflansch zwischen die Markierungen oder das Kreppband an dem Rack zu liegen kommt (siehe Abbildung 3-5).

Der obere Montagehaken auf dem vorderen Montagehalterungsflansch der Gleitschiene sollte in das obere Loch zwischen Ihren Markierungen auf den vertikalen Schienen eingreifen.

- 2** Drücken Sie die Gleitschiene nach vorn, bis der obere Montagehaken in das markierte obere rechteckige Loch eingreift. Drücken Sie dann den Montagehalterungsflansch nach unten, bis die Montagehaken in die rechteckigen Löcher eingerastet sind und der blaue Druckknopf mit einem Klicken herauspringt (siehe Abbildung 3-5).

**Abbildung 3-5. Einbau der RapidRails-Gleitschienen**

- 3** Ziehen Sie an der Rückseite des Gestellschranks den Flansch der Montagehalterung nach hinten, bis der obere Montagehaken an dem zugehörigen Loch positioniert ist. Drücken Sie dann den Montagehalterungsflansch nach unten, bis die Montagehaken in die rechteckigen Löcher einrasten, der Druckknopf herauspringt und ein Klicken zu hören ist.
- 4** Wiederholen Sie Schritt 1 bis 3 für die Gleitschienen auf der anderen Seite des Racks.
- 5** Achten Sie darauf, dass die Schienen auf jeder Rack-Seite in der gleichen Höhe an den vertikalen Schienen befestigt werden.

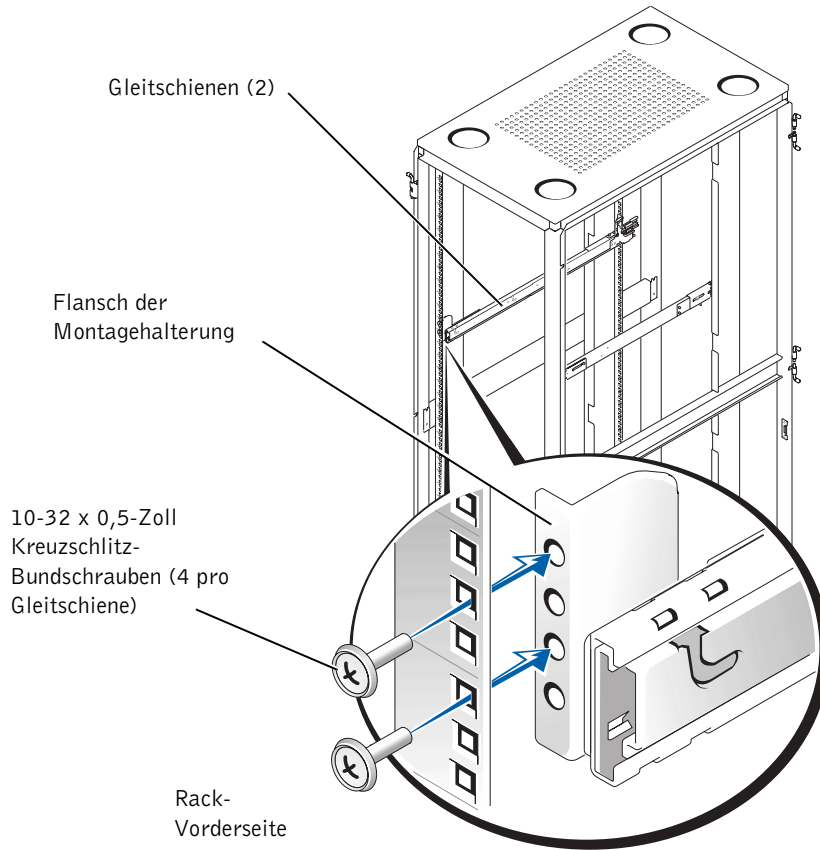
## Einbau der VersaRails-Gleitschienen

- 1 Setzen Sie eine der VersaRails-Gleitschienen so an der Vorderseite des Gestellschranks an, dass der zugehörige Montagehalterungsflansch zwischen die Markierungen / Kreppbänder (oder an die Markierung mit der richtigen Zahl) am Rack passt (siehe Abbildung 3-6).

Die vier Löcher an der Vorderseite der Montagehalterung sollten mit vier Löchern zwischen Ihren Markierungen an der vorderen vertikalen Schiene übereinstimmen.

- 2 Befestigen Sie die Gleitschiene durch je eine 10-32 x 0,5 Zoll (1,27 cm) Kreuzschlitz-Bundschraube im oberen und dritten Loch des Montageflanschs an der vorderen vertikalen Schiene (siehe Abbildung 3-6).
- 3 Ziehen Sie den Montagehalterungsflansch auf der Gestellschrank-Rückseite nach hinten, bis seine Montagelöcher mit den rechteckigen Löchern auf der hinteren vertikalen Schiene übereinstimmen.
- 4 Befestigen Sie die Gleitschiene durch je eine 10-32 x 0,5 Zoll (1,27 cm) Kreuzschlitz-Bundschraube im oberen und dritten Loch des Montageflanschs an der hinteren vertikalen Schiene.
- 5 Wiederholen Sie Schritt 1 bis 4 für die Gleitschienen auf der anderen Seite des Racks.
- 6 Achten Sie darauf, dass die Gleitschienen auf jeder Rack-Seite jeweils in der gleichen Höhe der vertikalen Schienen befestigt werden.


**Abbildung 3-6. Einbau der VersaRails-Gleitschienen**





## Einbau des Systems im Rack

 **VORSICHT: Wenn Sie mehr als ein System installieren, bauen Sie das erste System in der untersten möglichen Position im Rack ein.**

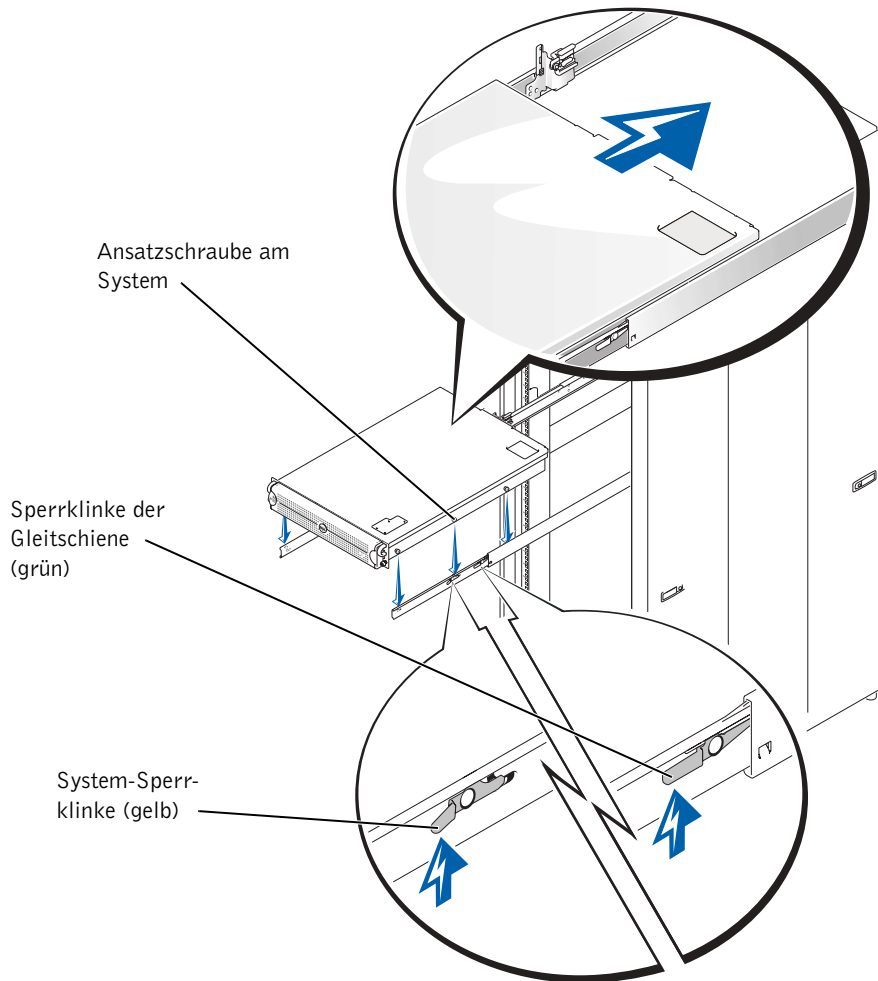
 **VORSICHT: Ziehen Sie niemals mehr als eine Komponente gleichzeitig aus dem Rack heraus.**

- 1 Ziehen Sie die beiden Gleitschienen aus dem Rack, bis sie in der vollständig ausgezogenen Position einrasten.

 **VORSICHT: Das System ist sehr groß und schwer, also darf es niemals durch eine Einzelperson in den Gleitschienen montiert werden.**

- 2 Heben Sie das System in Position vor die herausgezogenen Gleitschienen (siehe Abbildung 3-7).
- 3 Heben Sie dabei das System mit einer Hand unter dem vorderen und mit der anderen unter dem hinteren Rand an.
- 4 Kippen Sie die Rückseite des Systems nach unten und bringen Sie die hinteren Ansatzschrauben auf den Seiten des Systems mit den hinteren Schlitzern der Gleitschienen in Übereinstimmung.
- 5 Setzen Sie die hinteren Ansatzschrauben in ihre jeweiligen Einbaupositionen ein.

**Abbildung 3-7. Installation des Systems im Rack (RapidRails oder VersaRails)**



- 6 Senken Sie die Systemvorderseite ab und führen Sie die vorderen und mittleren Ansatzschrauben in ihre Einbaupositionen ein (die mittlere Position befindet sich genau hinter der gelben Sperrklinke; siehe Abbildung 3-7).

Wenn alle Ansatzschrauben korrekt eingerastet sind, ist bei den gelben Sperrklinken auf den beiden Gleitschienen ein Klicken zu hören. Damit ist das System in den Schienen gesichert.

- 7 Drücken Sie die grünen Sperrklinken an den Seiten der Gleitschienen nach oben, um das System vollständig ins Rack zu schieben (siehe Abbildung 3-7).
- 8 Schrauben Sie das System mit den Rändelschrauben an der Gehäuse-Frontplatte des Racks fest.



**HINWEIS:** Mithilfe der gelben Sperrklinke können Sie das System jederzeit aus den Gleitschienen entfernen.

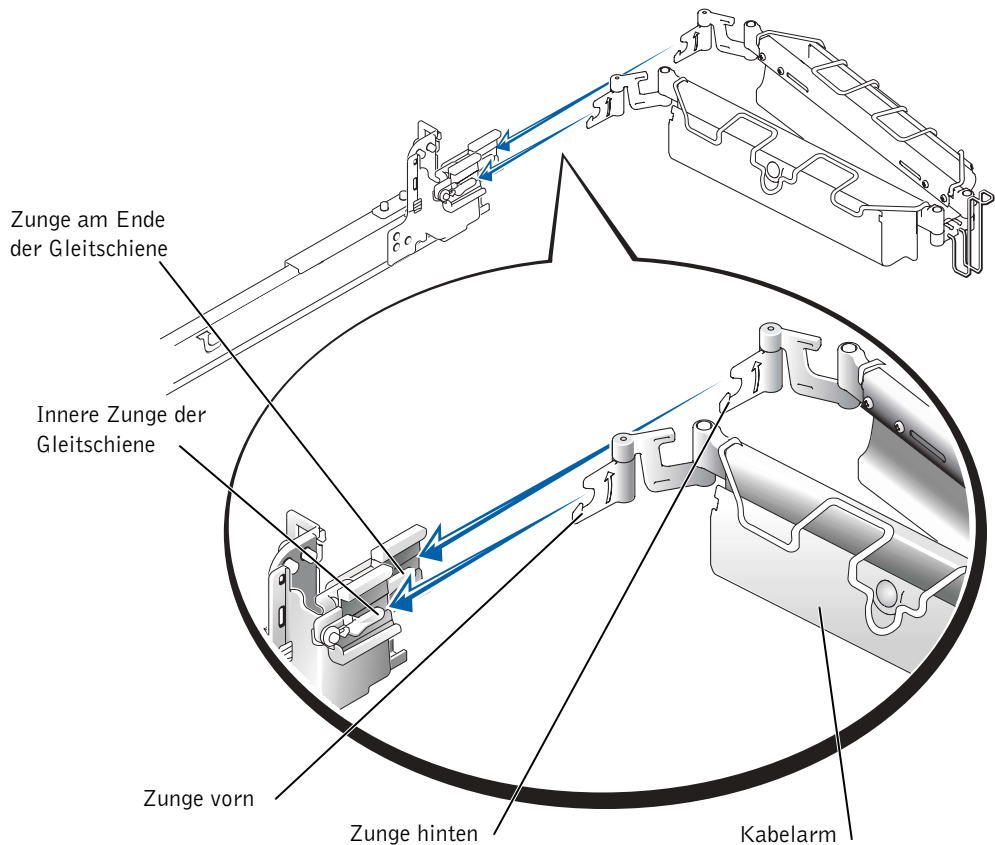
## Einbau des Kabelarms



**BITTE BEACHTEN:** Der Kabelarm kann nur an der rechten Seite des Gestellschranks (von hinten gesehen) befestigt werden.

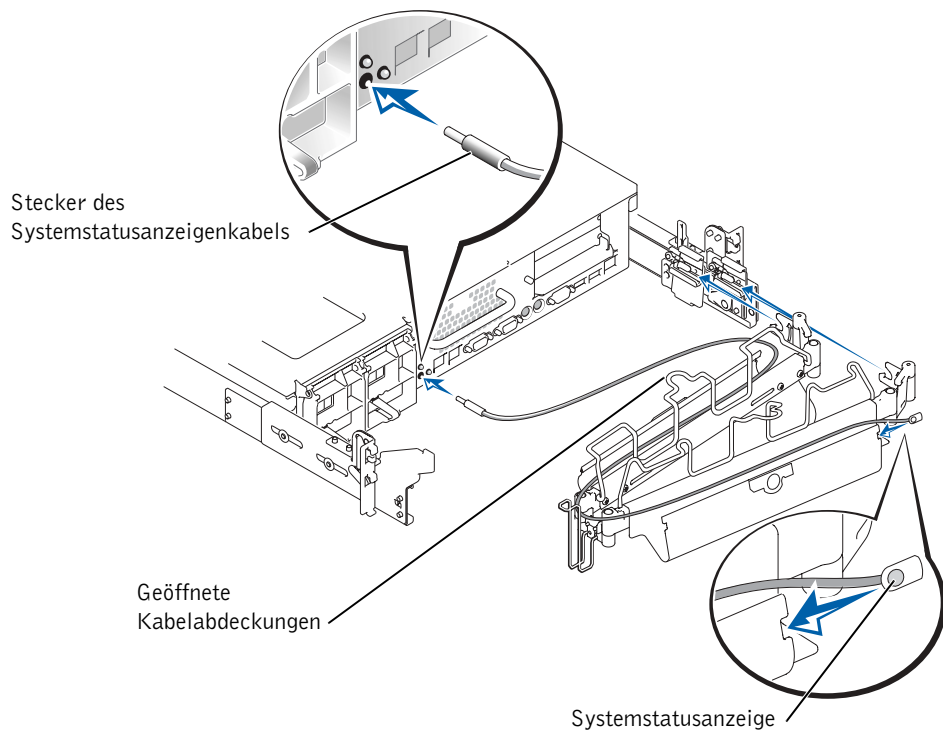
Um den Kabelarm am System zu befestigen, gehen Sie wie folgt vor:

- 1 Stellen Sie sich hinter den Gestellschrank und suchen Sie die Klinke am Ende der Gleitschiene.
- 2 Drücken Sie die Zunge am hinteren Ende des Kabelarms in die Verriegelung am Ende der Gleitschiene (siehe Abbildung 3-8).  
Der Riegel rastet mit einem Klicken ein.
- 3 Drücken Sie die Zunge am vorderen Ende des Kabelarms in den entsprechenden Riegel im inneren Teil der Gleitschiene (siehe Abbildung 3-8).  
Der Riegel rastet mit einem Klicken ein.

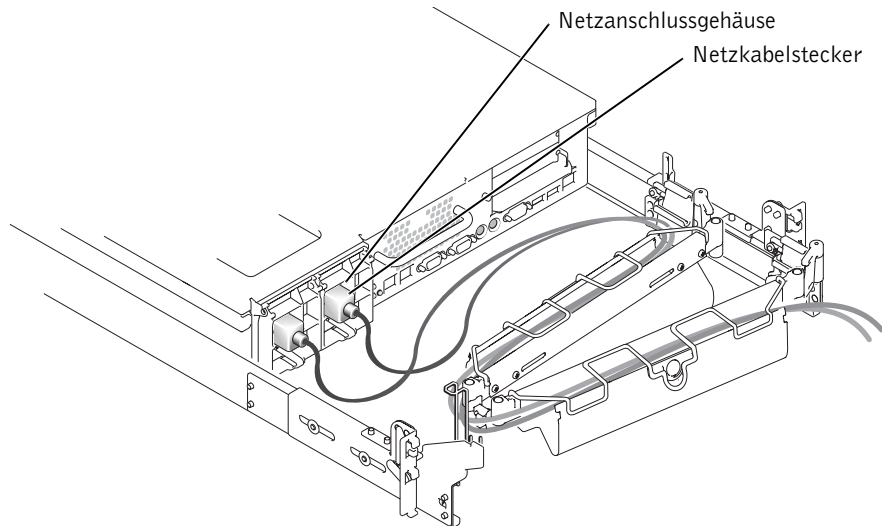
**Abbildung 3-8. Einbau des Kabelarms**

- 4** Stecken Sie den Kabelstecker der Systemstatusanzeige in den zugehörigen Anschluss (siehe Abbildung 3-9).
- 5** Öffnen Sie die Kabelabdeckungen des Kabelarms, indem Sie die Mitte des Kabels über den gewölbten runden Knopf an der Vorderseite des vorderen Teils des Kabelarms und dann über den ähnlichen Knopf auf der Rückseite des Kabelarms heben. Die Kabelabdeckung öffnet sich und die Kabel können innerhalb des Arms verlegt werden.
- 6** Führen Sie das Kabelende der Systemstatusanzeige durch den Kabelarm und installieren Sie die Anzeige im dafür vorgesehen Steckplatz am hinteren Ende des Kabelarms (siehe Abbildung 3-9).

**Abbildung 3-9. Einbau des Kabelarms**



- 7 Schließen Sie die Netzkabel an die entsprechenden Anschlüsse an der rückseitigen Abdeckung an (siehe Abbildung 3-10).

**Abbildung 3-10. Verlegen der Netzkabel**

**⚠ VORSICHT:** Lassen Sie die Kabel leicht durchhängen, wenn Sie sie um die Scharniere des Kabelarms führen.

### Verlegen der Kabel

- 1** Schließen Sie die I/O-Kabelstecker an die entsprechenden Anschlüsse auf der Rückseite des Systems an.

Näheres zu Kabelsteckern finden Sie in der *Anleitung zur Installation und Fehler-suche* und in der *Bedienungsanleitung*.

- 2** Führen Sie das Netz- und I/O-Kabel durch den Kabelarm. Befestigen Sie sie locker mit vier Kabelbindern (zwei in der Mitte und jeweils einer am Ende des Kabelarms). Ziehen Sie die Kabelbinder jetzt noch nicht vollständig fest (siehe Abbildung 3-11).

Lassen Sie die Kabel im Kabelarm leicht durchhängen, um Beschädigungen an den Kabeln zu verhindern.

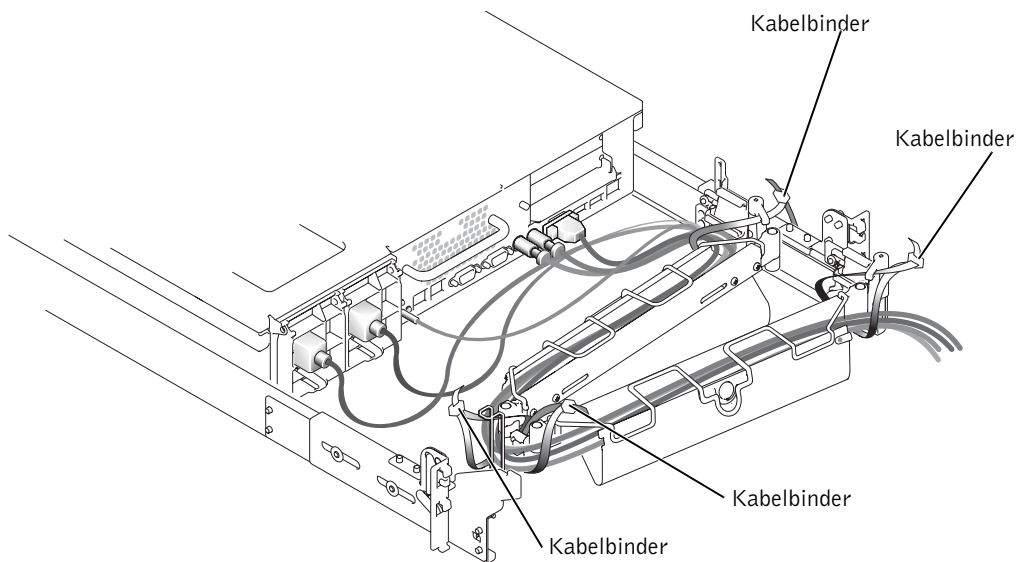
- 3** Befestigen Sie die Kabel am Kabelarm:
  - a** Wenn Sie die Kabel am System angeschlossen haben, lösen Sie die Flügelschrauben zwischen der System-Vorderseite und der vorderen vertikalen Schiene.
  - b** Ziehen Sie das System in die vollständig ausgezogene Position heraus.

- c Führen Sie die Kabel am Kabelarm entlang, sorgen Sie für ausreichend Kabelzuschlag an den Scharnieren, befestigen Sie die Kabel mit den Kabelbindern am Kabelarm und schließen Sie die Kabelabdeckungen über dem Kabelarm.

**HINWEIS:** Wenn Sie das System vollständig herausziehen, werden die Gleitschienen in der ausgezogenen Position verriegelt. Um das System in das Rack zurückzuschieben, drücken Sie auf die Sperrklinke an der Seite der Gleitschiene und schieben Sie das System dann vollständig in das Rack.

- 4 Schieben Sie das System in das Rack hinein und ziehen Sie es wieder heraus, um zu überprüfen, ob die Kabel korrekt verlegt sind und bei Bewegung des Kabelarms nicht eingeklemmt, gedehnt oder gequetscht werden.
- 5 Ziehen Sie die Kabelbinder gerade so fest an, dass der Kabelzuschlag weder zu groß noch zu klein ist, die Kabel aber trotzdem an Ort und Stelle bleiben, wenn das System in das Rack eingesetzt bzw. herausgezogen wird.

**Abbildung 3-11. Verlegen der Kabel**



## Wiederanbringen der Rack-Türen

Siehe Vorgehensweise zum Einsetzen der Türen in der Dokumentation Ihres Racks.

 **VORSICHT: Die Gestellschranktüren sind sehr groß und schwer, also dürfen sie niemals durch eine Einzelperson entfernt oder eingebaut werden.**

Damit ist die Rack-Montage Ihres Systems in einem Gestellschrank mit vier Stützen abgeschlossen.

## Montage in einem Zwei-Stützen-Rack

Das Zwei-Stützen-Rack-Kit wird für die Montage eines Systems in einem offenen Relaisgestell mit zwei Stützen verwendet, wie man es zum Beispiel bei Telekommunikationsanlagen findet. Es können sowohl 3 Zoll als auch 6 Zoll breite Racks mit zwei Stützen und universellem Lochabstand oder weitem Lochabstand installiert werden. Sie können dieses Kit entweder für die Mittenmontage oder für die bündige Montage verwenden. Das Kit für zwei Stützen enthält Gleitschienen, mit denen das System zur Wartung aus dem Rack gezogen werden kann.

Sie müssen das offene Relaisgestell mit zwei Stützen ordnungsgemäß am Boden, der Decke oder oben an der Wand und soweit möglich an benachbarten Gestellschränken befestigen. Verwenden Sie hierzu Boden- und Wandbefestigungen sowie Stützen, die vom Rack-Hersteller oder durch Industriestandards spezifiziert oder zugelassen sind. Bevor Sie mit der Installation beginnen, lesen Sie bitte die Vorsichtsmaßnahmen in der Installationsanleitung des Herstellers des offenen Relaisgestells mit zwei Stützen.

 **VORSICHT: Montieren Sie niemals Systeme in einem offenen Relaisgestell mit zwei Stützen, das nicht sicher verankert ist. Andernfalls kann das System beschädigt oder Sie bzw. andere Personen verletzt werden.**

Weitere Sicherheitshinweise zur Rack-Montage finden Sie in den Sicherheitshinweisen am Anfang dieses Dokuments.



## Schritte für die Installation des Racks mit zwei Stützen

Bei der Installation eines Rack-Kits mit zwei Stützen sind die folgenden Arbeitsschritte in der nummerierten Reihenfolge auszuführen:

- 1 Markieren des Racks
- 2 Installation der Gleitschienen im Rack:
  - Befestigung in Mittenmontage
  - Befestigung in bündiger Montage
- 3 Einbau des Systems im Rack
- 4 Einbau des Kabelarms
- 5 Verlegen der Kabel

## Empfohlene Werkzeuge und Zubehörteile

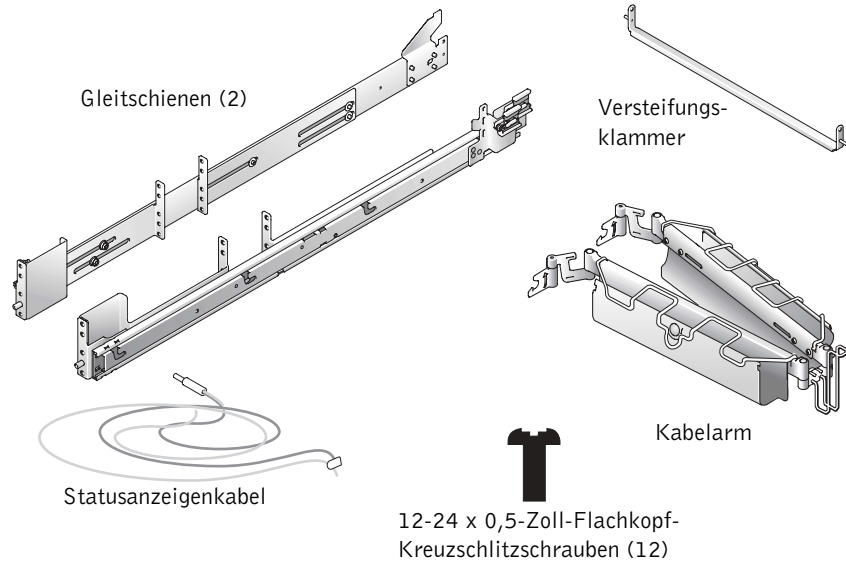
Sie benötigen folgende Werkzeuge und Zubehörteile zur Installation des Systems in einem offenen Relaisgestell mit zwei Stützen:

- Kreuzschlitz-Schraubendreher Nr. 2
- 11/32-Zoll Schraubenschlüssel oder Steckschlüssel (bei Wechsel zur bündigen Montage)
- Kreppband oder Filzstift zur Markierung der korrekten Montagelöcher

## Inhalt des Rack-Kits

Das Rack-Kit mit zwei Stützen enthält folgende Teile (siehe Abbildung 3-12):

- Ein Paar Gleitschienen (zwei Stützen)
- Eine Versteifungsklammer
- Ein Kabelarm
- Ein Statusanzeigenkabel
- Zwölf 12-24 x 0,5-Zoll Flachkopf-Kreuzschlitzschrauben
- Kabelbinder (in Abbildung 3-12 nicht dargestellt)

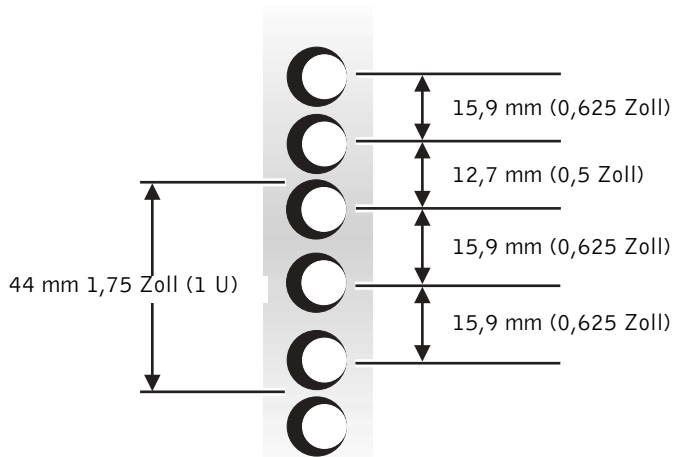
**Abbildung 3-12. Komponenten des Zwei-Stützen-Rack-Kits****Markieren des Racks**

Zwischen verschiedenen Systemen, die Sie im Rack mit zwei Stützen installieren, müssen Sie 2 Einheiten (U = 88 mm bzw. 3,5 Zoll) vertikalen Abstand lassen.

**Racks mit universellem Lochabstand**

Standard-Racks mit zwei Stützen und universellem Lochabstand haben ein sich wiederholendes Muster aus drei Löchern pro Einheit, deren Mittenabstand (beginnend in der Mitte des oberen Lochs einer 1-U-Einheit) 15,9 mm, 15,9 mm und 12,70 mm (0,625, 0,625 und 0,5 Zoll) für die vordere und hintere vertikale Lochreihe beträgt (siehe Abbildung 3-13).

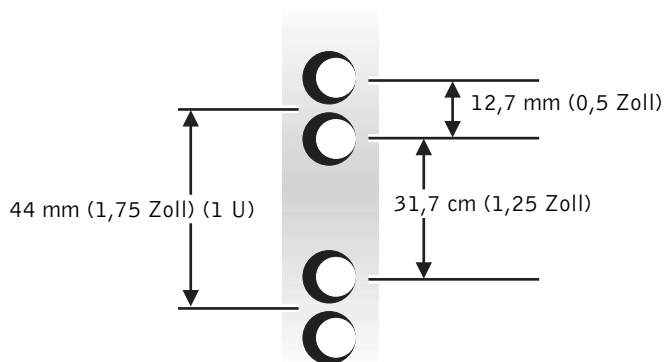
**Abbildung 3-13. Universeller Lochabstand beim offenen Relaisgestell mit zwei Stützen**



**Racks mit weitem Lochabstand**

Einige Racks mit zwei Stützen und weitem Lochabstand haben ein sich wiederholendes Muster aus zwei Löchern pro Einheit, deren Mittenabstand (beginnend mit dem oberen Loch einer 1-U-Einheit) 31,7 mm und 12,70 mm (1,25 und 0,5 Zoll) für die vordere und hintere vertikale Lochreihe beträgt (siehe Abbildung 3-14).

**Abbildung 3-14. Weiter Lochabstand beim offenen Relaisgestell mit zwei Stützen**



Zum Markieren des Racks gehen Sie wie folgt vor:


- 1 Bringen Sie auf den vorderen vertikalen Schienen des Racks eine Markierung an der Stelle an, an der sich die Unterseite des Systems befinden soll, das Sie in das Rack mit zwei Stützen einbauen.

Die Unterkante jeder 1-U-Einheit befindet sich in der Mitte des schmalsten Metallstücks zwischen den Löchern.

 **HINWEIS:** Wenn Ihr Rack einen weiten Lochabstand hat, gehen Sie zu Schritt 3.

- 2 Setzen Sie eine Markierung 88 mm (3,5 Zoll) über Ihre erste Markierung (oder zählen Sie in einem Rack mit universellem Lochabstand sechs Löcher nach oben; siehe Abbildung 3-13).

Jede vertikale 1-U-Einheit (44 mm oder 1,75 Zoll) in einem Rack mit universellem Lochabstand verfügt über drei Löcher, deren Mittenabstand zueinander (beginnend mit dem oberen Loch einer 1-U-Einheit) 0,625, 0,625 und 0,5 Zoll beträgt (siehe Abbildung 3-13).


 **HINWEIS:** Wenn Ihr Rack einen universellen Lochabstand hat, ist das Markieren des Racks damit abgeschlossen.

- 3 Setzen Sie eine Markierung 88 mm (3,5 Zoll) über Ihre erste Markierung (oder zählen Sie in einem Rack mit weitem Lochabstand bis zum vierten Loch nach oben; siehe Abbildung 3-14).

Jede vertikale 1-U-Einheit (44 mm oder 1,75 Zoll) in einem Rack mit universellem Lochabstand hat zwei Löcher, deren Mittenabstand zueinander (beginnend mit dem oberen Loch einer 1-U-Einheit) 31,7 mm (1,25 Zoll) beträgt (siehe Abbildung 3-14).

## Einbau der Gleitschienen im Rack

Sie können die Gleitschienen in einem offen Rack mit zwei Stützen entweder mit universellem Lochabstand (siehe Abbildung 3-13) oder mit weitem Lochabstand (siehe Abbildung 3-14) installieren. Sie können die 2-U-Gleitschienen entweder mit bündiger Montage oder mit Mittenmontage installieren.

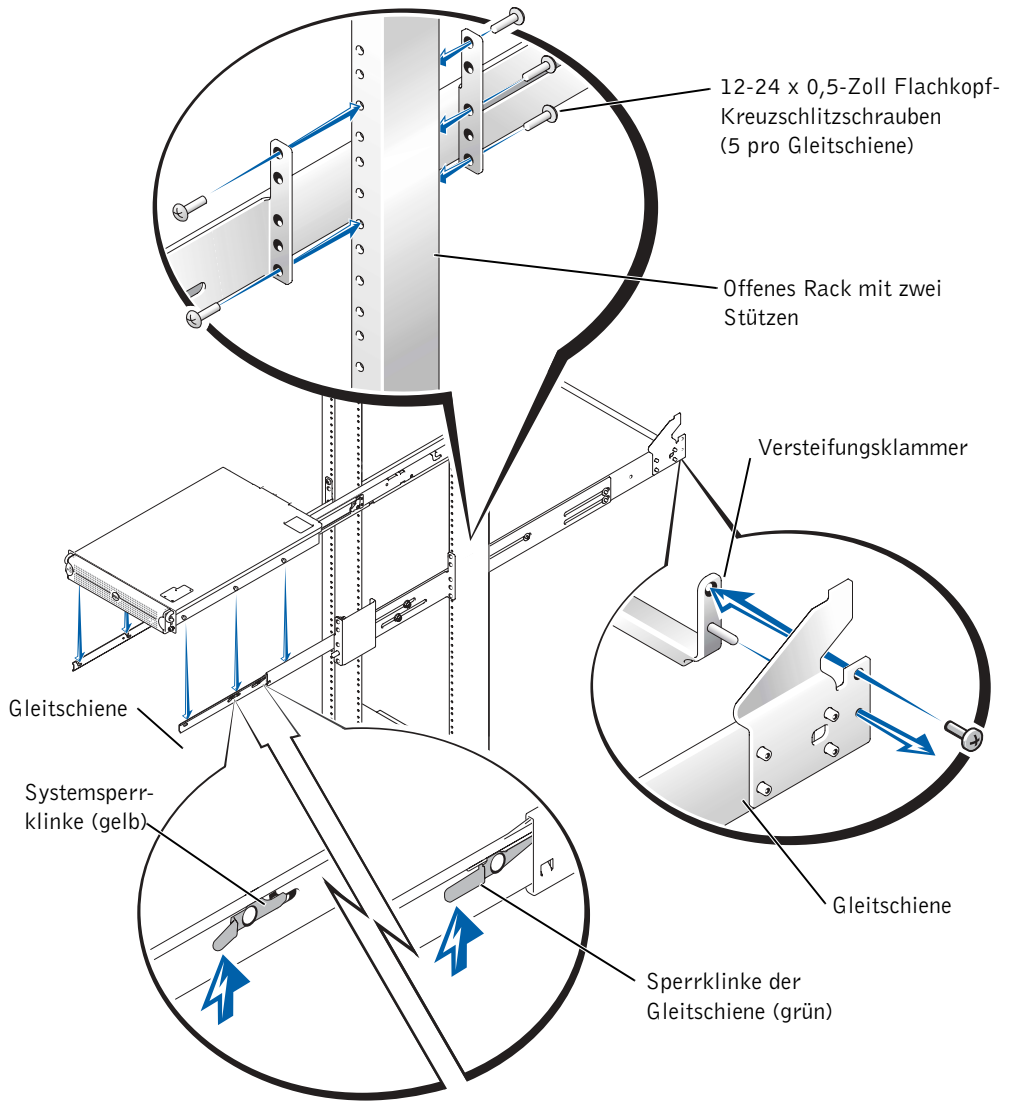
 **VORSICHT: Versuchen Sie nicht, mit diesem Rack-Kit andere Systeme zu installieren. Verwenden Sie ausschließlich das für Ihr System konzipierte Rack-Kit. Wenn Sie das Rack-Kit für ein anderes System verwenden, könnte das System beschädigt und Sie selbst oder andere Personen verletzt werden.**

## **Befestigung in Mittenmontage**

Im Lieferumfang des Zwei-Stützen-Rack-Kits sind Haltungen für eine Mittenmontage enthalten. Um die Montage abzuschließen, führen Sie folgende Schritte aus:

- 1** Drücken sie die hintere Halterung der rechten Gleitschiene nach hinten (siehe Abbildung 3-15).
- 2** Setzen Sie die rechte Gleitschiene in die markierte Position am Rack mit zwei Stützen, drücken Sie die hintere Halterung nach vorne in Richtung auf das vertikale Rack mit zwei Stützen, befestigen Sie die vordere Halterung für die Mittenmontage mit zwei 12-24 x 0,5-Zoll Flachkopf-Kreuzschlitzschrauben und befestigen Sie die hintere Halterung für die Mittenmontage mit drei 12-24 x 0,5--Zoll Flachkopf-Kreuzschlitzschrauben (siehe Abbildung 3-15).
- 3** Wiederholen Sie Schritt 1 und 2 für die Montage der linken Gleitschiene im Rack.
- 4** Bauen Sie die Versteifungsklammer an der Rückseite der Gleitschienen ein und sichern Sie die Klammer mit je einer 12-24 x 0,5-Zoll Flachkopf-Kreuzschlitzschraube an den Gleitschienen (siehe Abbildung 3-15).

**Abbildung 3-15. Montage der Gleitschienen für die Mittenmontage**



## Befestigung in bündiger Montage

Im Lieferumfang des Zwei-Stützen-Rack-Kits sind Haltungen für eine Mittenmontage enthalten. Zur Vorbereitung der Gleitschienen für die bündige Montage im Rack mit zwei Stützen führen Sie folgende Schritte aus:

- 1 Legen Sie die beiden Gleitschienen nebeneinander auf eine glatte Arbeitsoberfläche, wobei die vorderen Enden der Gleitschienen zu Ihnen zeigen. Setzen Sie die beiden Gleitschienen so an, dass die Halterungen für die Mittenmontage nach oben zeigen (siehe Abbildung 3-16).

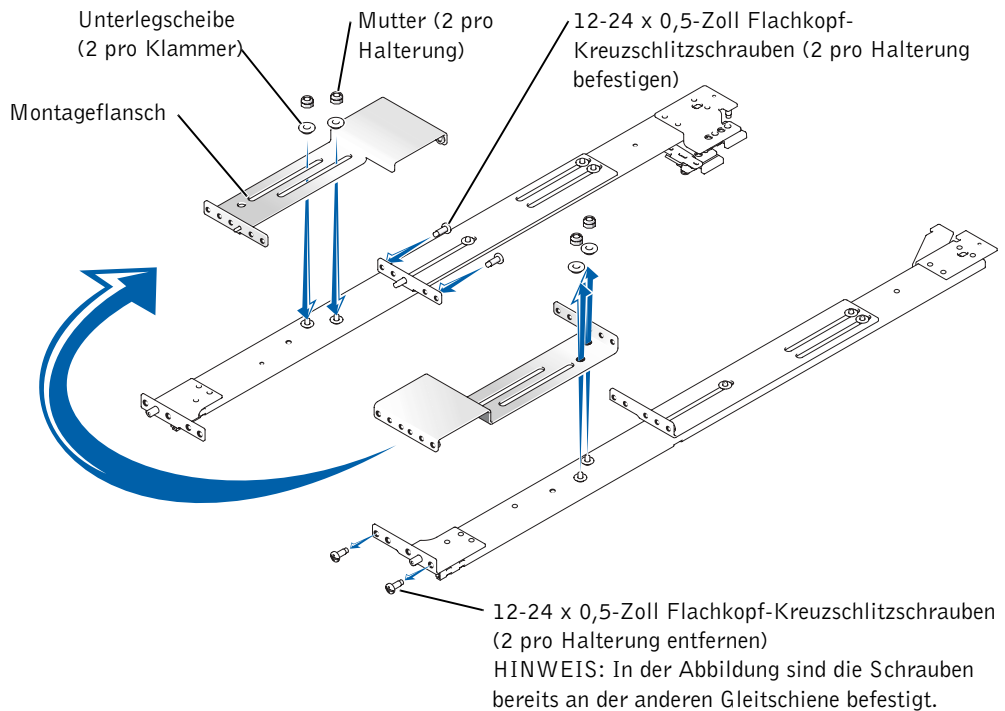


**HINWEIS:** Zur Vorbereitung der Gleitschienen für die bündige Montage entfernen Sie vordere Montagehalterung, drehen Sie sie um 180 Grad und montieren Sie sie an der gegenüberliegenden Gleitschiene.

- 2 Entfernen Sie mit einem Kreuzschlitzschraubendreher Nr. 2 und einem 11/32 Schraubenschlüssel bzw. Steckschlüssel die beiden 12-24 x 0,5 Zoll Flachkopf-Kreuzschlitzschrauben, die beiden Muttern und die beiden Unterlegscheiben mit Bund von jeder vorderen Halterung für die Mittenmontage (siehe Abbildung 3-16).
- 3 Entfernen Sie die vordere Halterung von den beiden Gleitschienen.
- 4 Legen Sie die Halterung einer Gleitschiene auf die Gewindebolzen der gegenüberliegenden Gleitschiene, wobei die Halterung um 180 Grad gedreht wird, so dass der Montageflansch nach vorne zeigt (siehe Abbildung 3-16).
- 5 Befestigen Sie die vorderen Halterungen für die Mittenmontage (mithilfe der in Schritt 2 entfernten Muttern und Unterlegscheiben mit Bund), indem Sie sie von Hand an der gegenüberliegenden Gleitschiene festziehen (siehe Abbildung 3-16).

Diese zusammengesetzte Halterung dient nun als neue verlängerte hintere Halterung.

**Abbildung 3-16. Drehen der vorderen Montagehalterung für bündige Montage**

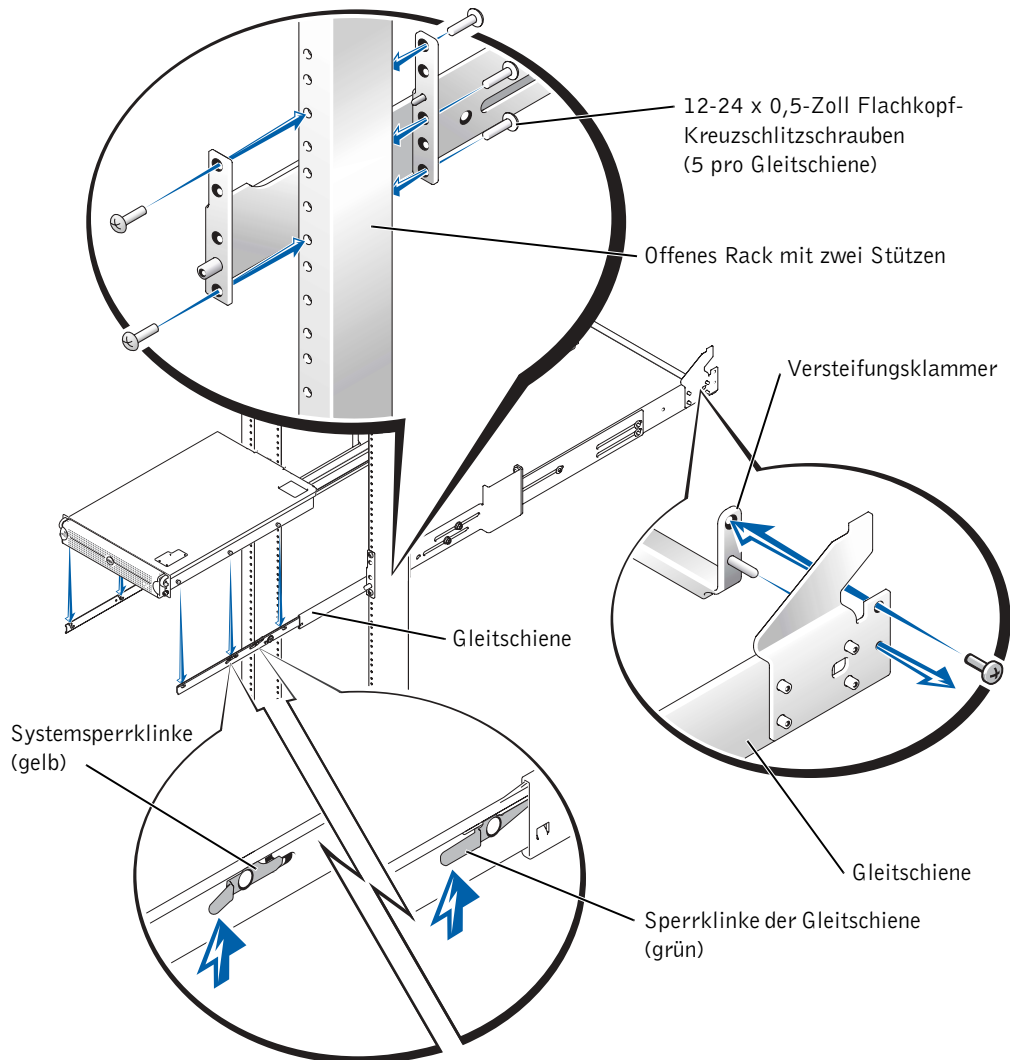


- 6** Wiederholen Sie Schritt 4 und 5 für die Befestigung der anderen Gleitschiene.
- 7** Halten Sie die linke Gleitschiene im Rack mit zwei Stützen an die markierte Stelle, stellen Sie die verlängerte hintere Halterung so ein, dass sie fest an der Rückseite des vertikalen Racks mit zwei Stützen anliegt und befestigen Sie sie mit drei 12-24 x 0,5-Zoll Flachkopf-Kreuzschlitzschrauben (siehe Abbildung 3-17).
- 8** Befestigen Sie die vordere Halterung der Gleitschiene mit zwei 12-24 x 0,5-Zoll Flachkopf-Kreuzschlitzschrauben an der Schiene für zwei Stützen (siehe Abbildung 3-17).
- 9** Wiederholen Sie Schritt 7 und 8 für die Installation der rechten Gleitschiene im Rack.
- 10** Ziehen Sie jetzt die zuvor nur mit der Hand angezogenen Muttern an den Montagehalterungen beider Gleitschienen mit einem 11/32-Zoll Schraubenschlüssel bzw. Steckschlüssel fest.




- 11** Bauen Sie die Versteifungsklammer an der Rückseite der Gleitschienen ein und sichern Sie die Klammer mit je einer 12-24 x 0,5-Zoll Flachkopf-Kreuzschlitzschraube an den Gleitschienen (siehe Abbildung 3-17).

**Abbildung 3-17. Einbau der Gleitschienen für die bündige Montage**



## Einbau des Systems im Rack

 **VORSICHT:** Das System ist sehr groß und schwer, also darf es niemals durch eine Einzelperson montiert werden.

 **HINWEIS:** Die Installation eines Systems in einem Rack ist bei bündig und mittig installierten Gleitschienen identisch.

1 Ziehen Sie die Gleitschienen bis zum Anschlag heraus.

 **VORSICHT:** Das System ist sehr groß und schwer, also darf es niemals durch eine Einzelperson in den Gleitschienen montiert werden.

2 Heben Sie das System in Position (siehe Abbildung 3-17).

3 Heben Sie dabei das System mit einer Hand unter dem vorderen und mit der anderen unter dem hinteren Rand an.

4 Kippen Sie die Rückseite des Systems nach unten und bringen Sie die hinteren Ansatzschrauben auf den Seiten des Systems mit den hinteren Schlitzen der Gleitschienen in Übereinstimmung.


5 Setzen Sie die hinteren Ansatzschrauben in ihre jeweiligen Einbaupositionen ein.

6 Senken Sie die Systemvorderseite ab und führen Sie die vorderen und mittleren Ansatzschrauben in ihre Einbaupositionen ein (die mittlere Position befindet sich genau hinter der gelben Sperrklinke; siehe Abbildung 3-17).

Wenn alle Ansatzschrauben korrekt eingerastet sind, ist bei den gelben Sperrklinken auf den beiden Gleitschienen ein Klicken zu hören. Damit ist das System in den Schienen gesichert.

7 Drücken Sie die grünen Sperrklinken an den Seiten der Gleitschienen nach oben, um das System vollständig ins Rack zu schieben (siehe Abbildung 3-17).

8 Schrauben Sie das System mit den Rändelschrauben an der Gehäuse-Frontplatte des Racks fest.

 **HINWEIS:** Mithilfe der gelben Sperrklinke können Sie das System jederzeit aus den Gleitschienen entfernen.

## **Einbau des Kabelarms**

Siehe „Einbau des Kabelarms“ im Abschnitt „Montage in einem Rack mit vier Stützen“ weiter oben in diesem Dokument.

## **Verlegen der Kabel**

Siehe „Verlegen der Kabel“ im Abschnitt „Montage in einem Rack mit vier Stützen“ weiter oben in diesem Dokument.

Damit ist die Installation eines Rack-Kits in einem Rack mit zwei Stützen abgeschlossen.



# Stichwortverzeichnis

## E

- Einbau
  - Gleitschienen für zwei Stützen, 3-24
  - Kabelarm, 3-31
  - RapidRails-Gleitschienen, 3-9
  - VersaRails-Gleitschienen, 3-11
- Einbau im Rack System, 3-13, 3-14

## I

- Inhalt des VersaRails-Kits, 3-5
- Inhaltsliste
  - RapidRails-Kit, 3-5
  - VersaRails-Kit, 3-5
  - Zwei-Stützen-Kit, 3-21

## K

- Kabel, 3-19
- Kabelarm
  - Einbau, 3-15, 3-31
  - Verlegen der Kabel, 3-19, 3-31
- Kit-Inhalt
  - RapidRails, 3-5
  - VersaRails, 3-6

## M

- Markieren des Racks
  - Vier-Stützen-Kits, 3-7
  - Zwei-Stützen-Kit, 3-22

## R

- Rack-Anforderungen für VersaRails, 3-3
- Rack-Einheit, 3-7
- Rack-Stabilisatoren, 3-4
- RapidRails-Kit, Inhalt, 3-5

## S

- Schritte
  - Vier-Stützen-Kit, 3-6
  - Zwei-Stützen-Kit, 3-21
- Sicherheitshinweise, 3-1
- Systeminstallation
  - Rack mit vier Stützen, 3-13
  - Rack mit zwei Stützen, 3-30

## T

- Türen
  - Entfernen, 3-6
  - Wiederanbringen, 3-20

## V

- Verlegen der Kabel, 3-18, 3-31
- Versteifungsklammer, 3-21
  - Einbau, 3-25, 3-29
- Vertikale Schienen
  - Eine Rack-Einheit, 3-7
  - Markieren, 3-7
- Vier-Stützen-Kit
  - Einbau des Kabelarms, 3-15
  - Inhalt des VersaRails-Kits, 3-5
  - Markieren des Racks, 3-7
  - RapidRails-Gleitschienen, 3-9
  - RapidRails-Kit, Inhalt, 3-5
  - Schritte, 3-6
  - Systeminstallation, 3-13
  - Verlegen der Kabel, 3-18
  - VersaRails-Gleitschienen, 3-11
- Vorsichtsmaßnahmen bei der Rack-Montage, 3-3

## W

- Werkzeuge
  - Zwei-Stützen-Kits, 3-21

## **Z**

### Zwei-Stützen-Kit

Befestigung in bündiger  
Montage, 3-27

Befestigung in  
Mittenmontage, 3-25

Einbau der  
Gleitschienen, 3-24

Einbau des Kabelarms, 3-31

Inhalt, 3-21

Markieren des Racks, 3-22

Schritte, 3-21

Systeminstallation, 3-30

Verlegen der Kabel, 3-31




Versteifungsklammer, 3-21,  
3-29

Werkzeuge, 3-21

Dell™ システム

# ラック取り付けガイド

## メモ、注意および警告

-  **メモ**：メモは、コンピュータを使いやすくする為の重要な情報を説明しています。
-  **注意**：注意は、ハードウェアの損傷やデータの損失の可能性を示し、その危険を回避するための方法を説明しています。
-  **警告**：警告は、物的損害、けが、または死亡の原因となる可能性があることを示します。

---

ここに記載されている内容は予告なく変更されることがあります。

© 2002 すべての著作権は Dell Computer Corporation にあります。

Dell Computer Corporation の書面による許可のない複写は、いかなる形態においても厳重に禁じられています。

本書で使用されている商標について：Dell、DELL のロゴ、RapidRails、および VersaRails は、Dell Computer Corporation の商標です。

本書では、必要に応じて上記記載以外の商標および会社名が使用されている場合がありますが、これらの商標や会社名は、一切 Dell Computer Corporation に所属するものではありません。



# 目次

<b>警告：安全にお使いいただくために</b> . . . . .	<b>4-1</b>
システムのラックへの取り付け . . . . .	4-1
<b>取り付け手順</b> . . . . .	<b>4-2</b>
<b>4 柱型ラックの取り付け</b> . . . . .	<b>4-3</b>
はじめに . . . . .	4-3
推奨する工具および備品 . . . . .	4-4
RapidRails ラックキットの内容 . . . . .	4-4
VersaRails ラックキットの内容 . . . . .	4-5
取り付け手順 . . . . .	4-6
ラック扉の取り外し . . . . .	4-6
ラックへの印付け . . . . .	4-7
RapidRails スライドアセンブリの取り付け . . . . .	4-9
VersaRails スライドアセンブリの取り付け . . . . .	4-10
ラックへのシステムの取り付け . . . . .	4-11
ケーブル処理アームの取り付け . . . . .	4-13
ケーブルの配線 . . . . .	4-16
ラックの扉の取り付け . . . . .	4-17
<b>2 柱型ラックの取り付け</b> . . . . .	<b>4-18</b>
2 柱型ラックの取り付け手順 . . . . .	4-18
推奨する工具および備品 . . . . .	4-19
ラックキットの内容 . . . . .	4-19
ラックへの印付け . . . . .	4-20
ラックへのスライドアセンブリの取り付け . . . . .	4-22
ラックへのシステムの取り付け . . . . .	4-28
ケーブル処理アームの取り付け . . . . .	4-28
ケーブルの配線 . . . . .	4-28



☒ 4-1.	RapidRails ラックキットの内容 . . . . .	4-5
☒ 4-2.	VersaRails ラックキットの内容 . . . . .	4-6
☒ 4-3.	1 ラックユニット (1 U) . . . . .	4-7
☒ 4-4.	垂直レールの印付け . . . . .	4-8
☒ 4-5.	RapidRails スライドアセンブリの取 り付け . . . . .	4-9
☒ 4-6.	VersaRails スライドアセンブリの取 り付け . . . . .	4-11
☒ 4-7.	システムのラックへの取り付け (RapidRails または VersaRails) . . . . .	4-12
☒ 4-8.	ケーブル処理アームの取り付け . . . . .	4-14
☒ 4-9.	ケーブル処理アームの取り付け . . . . .	4-15
☒ 4-10.	電源ケーブルの配線 . . . . .	4-16
☒ 4-11.	ケーブルの配線 . . . . .	4-17
☒ 4-12.	2 柱型ラックキットの部品 . . . . .	4-20
☒ 4-13.	2 柱型オープンフレームリレーラックのユ ニバーサル間隔の穴 . . . . .	4-21
☒ 4-14.	2 柱型オープンフレームリレーラックのワ イド間隔の穴 . . . . .	4-21
☒ 4-15.	センターマウント構成でのスライドアセン ブリの取り付け . . . . .	4-24
☒ 4-16.	フラッシュマウントでの前面側取り付けブ ラケットの回転 . . . . .	4-26
☒ 4-17.	フラッシュマウント構成でのスライドアセ ンブリの取り付け . . . . .	4-27


## **警告：安全にお使いいただくために**

ご自身の身体の安全を守り、システムおよび作業環境を保護するために、以下の安全に関するガイドラインに従ってください。- 安全に関する完全な情報については『システム情報ガイド』を参照してください。


### **システムのラックへの取り付け**

ラックの安定性や安全性に関して、次の点にご注意ください。


システムはラックの一部とみなします。したがって、「部品」には、さまざまな周辺機器やサポートハードウェアと同様に、システムも含まれます。

 **警告：ラック前面および横の安定板を取り付けずにシステムを取り付けると、場合によってはラックが転倒し、けがをする恐れがあります。したがって、必ず安定板を取り付けてからラックに部品を取り付けてください。**

**ラックにシステム部品を取り付けた後は、一度に 2 台以上の部品をスライドアセンブリから引き出さないでください。重みでラックが転倒し、けがをする恐れがあります。**

 **メモ：**ご使用のシステムは、独立型のユニットとして、また、カスタマラックキットで構成される Dell® ラックキャビネットに取り付ける部品として、その安全性が保証されています。システムおよびラックキットを Dell 以外のメーカーのラックキャビネットに取り付ける場合は、安全性が保証されていません。最終的に組み合わせたシステムおよびラックについては、ユーザーの責任において、適用される安全基準および地域の電気規約の要件に適合することを確認してください。Dell では、このような組み合わせに関連するいかなる責任および保証も負いません。

- システムラックキットは、トレーニングを受けたサービス技術者がラックに取り付けます。キットを別のラックに取り付ける場合は、そのラックが Dell のラック仕様に適合していることを確認してください。

 **警告：大型ラックを 1 人で移動しないでください。ラックの高さと重さを考慮して、少なくとも 2 人以上でラックを移動することをお勧めします。**

- ラックを移動する前に、安定板がラックに固定されて床面に伸び、ラックの全重量が床面にかかっていることを確認してください。ラックを移動する前に、ラックが 1 つの場合は前面と横の安定板、複数の組み合わされたラックの場合は前面の安定板を取り付けます。
- ラックには必ず下から上の順に、最も重いものから設置します。
- 部品をラックから引き出す前に、ラックが平行で安定していることを確認してください。

## **警告：安全にお使いいただくために（続き）**

- 部品のレールリリースラッチを押して部品をラックから出し入れするときは、注意して行ってください。スライドレールに指をはさまれる場合があります。
- 部品をラックに設置したら、レールをロック位置に静かに伸ばし、部品をラックの中にスライドします。
- ラックに電力を送る AC 分岐回路に過重電流を流さないでください。ラックの総負荷が分岐回路定格の 80% を超えないようにしてください。
- ラックの部品に空気が十分に送られていることを確認します。
- ラックの他のシステムでの作業中に、部品の上に乗ったり、立ったりしないでください。

## **取り付け手順**


このガイドは、トレーニングを受けたサービス技術者が、オープンフレームリレーラックやラックキャビネットに 1 台または複数のシステムを取り付ける作業を行うための手順書です。RapidRails™ ラックキットは、工具を使わずにすべてのメーカーのラックキャビネットに取り付けることができます。VersaRails™ ラックキットは、業界規格に適合しているどのラックキャビネットにも取り付けすることができます。RapidRails および VersaRails ラックキットの取り付け手順はほとんど同じです。ラックキャビネットに取り付けるシステム 1 基ごとにラックキット 1 セットが必要です。

このガイドには、以下のラックキットを取り付ける手順が説明されています。


- RapidRails キット（4 柱型ラックキャビネットへの取り付け）
- VersaRails キット（4 柱型ラックキャビネットへの取り付け）
- 2 柱型キット（3 インチ幅または 6 インチ幅ラックへのセンターマウント構成またはフラッシュマウント構成での取り付け）

これらのラックキットには、トラブルシューティングとシステムの状態確認を容易に行えるように、ステータスインジケータケーブルアセンブリ付きのケーブル処理アームが付属しています。このアセンブリは、前面パネルと背面パネルの 2 色ステータスインジケータの情報をケーブル処理アームの背面まで延長するためのものです。このインジケータの詳細については、『ユーザーズガイド』を参照してください。

取り付けを開始する前に、このマニュアルを最後までよくお読みください。

 **警告：**別のシステム用に設計されたラックキット部品は取り付けないでください。ご使用のシステム用のラックキットのみをお使いください。別のシステム用のラックキットを使用すると、システムが損傷し、ご自身や作業者がけがをする恐れがあります。

### VersaRails のラック要件


 **注意：**VersaRails ラックキットは、米国規格協会（ANSI） / 米国電子工業会（EIA）規格 ANSI/EIA-310-D-92、国際電気標準会議（IEC）297、ドイツ工業規格（DIN）41494 の仕様を満たすラックについてトレーニングを受けたサービス技術者が取り付けのように設計されています。ラックキットは、ラックに取り付けられているシステム 1 基につき 1 セットずつ必要です。


## 4 柱型ラックの取り付け

以下の手順を開始する前に、手順を最後までよくお読みください。

### はじめに


システムをラックへ取り付けの前に、このマニュアルの最初にある「警告：安全にお使いいただくために」を注意してお読みください。また、お使いのシステムの『システム情報』マニュアルの安全上の注意も参照してください。

 **警告：**複数のシステムをラックに取り付ける場合は、1 基のシステムの手順を完了してから、次のシステムに取り付けに進んでください。


 **警告：**ラックキャビネットはサイズが非常に大きく重量もあるため、キャスターで簡単に移動できるようになっています。このキャスターにはブレーキがありません。ラックキャビネットを移動するときは十分な注意が必要です。ラックキャビネットを別の場所に移動するときは、水平調節用の脚を収納してください。傾斜面や急な勾配のある場所、スロープなど、バランスが取りにくい場所にはキャビネットを設置しないでください。水平調節用の脚を伸ばしてキャビネットを支え、キャビネットが倒れないようにしてください。


### 安全に関する重要な注意

システムをラックに取り付けるときは、次の各項の安全に関する注意を遵守してください。

 **警告：**作業者は、自分自身と関係者を保護するために、本書の手順に必ず従ってください。本システムは非常に重量があり大きいため、自分自身や関係者のけがを防ぐために準備と計画を適切に行うことが重要です。これは、特にシステムをラックの高い位置に取り付ける場合に重要になります。

### ラック安定用の脚

 **警告：**ラック前面および横の安定板を取り付けずに、ラックにシステムを取り付けると、ラックが転倒し、けがをする恐れがあります。このため、ラックにコンポーネントを取り付ける前に、必ず安定板を取り付けるようにしてください。

 **警告：**ラックにシステムを取り付けた後は、スライドアセンブリ上の複数のシステムを同時にラックから引き出さないでください。引き出された複数のシステムの重みでラックが転倒し、けがをする恐れがあります。

安定用の脚は、スライドアセンブリが伸びきった状態までラックからシステムやその他の部品を引き出す際に、ラックの転倒を防ぎます。安定用の脚を取り付けて床に固定する手順については、ラックキャビネットに付属のマニュアルを参照してください。

### 推奨する工具および備品

4 柱型ラックキャビネットにシステムを取り付けるには、次の工具と備品が必要です。

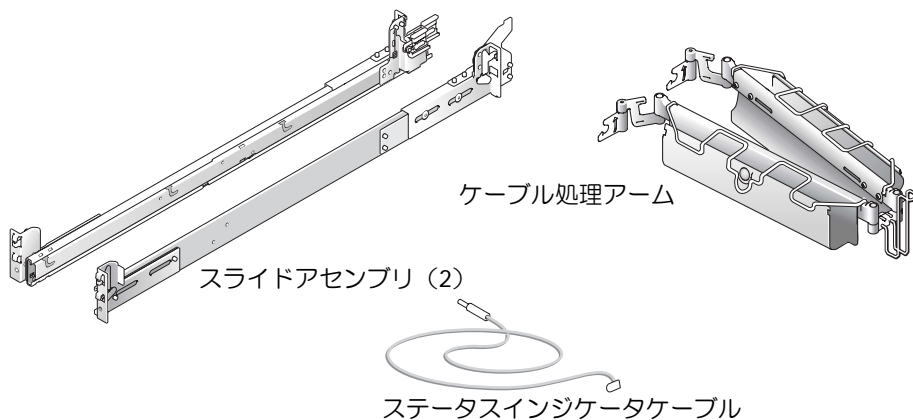
- #2 プラスドライバ（VersaRails スライドアセンブリを取り付ける場合）
- マスキングテープまたはフェルトペン（取り付け穴に印を付けるときに使用）

### RapidRails ラックキットの内容

RapidRails ラックキットには、以下の部品が含まれています（図 4-1 参照）。

- RapidRails スライドアセンブリ 1 組
- ケーブル処理アーム 1 本
- ステータスインジケータケーブル 1 個
- タイラップ（図 4-1 には記載されていません）

図 4-1. RapidRails ラックキットの内容



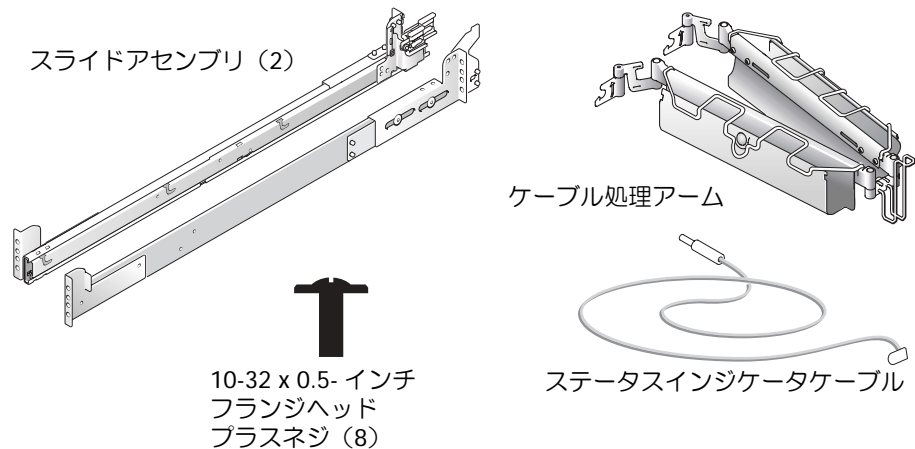
### VersaRails ラックキットの内容

VersaRails ラックキットには、以下の部品が含まれています（図 4-2 参照）。

- VersaRails スライドアセンブリ 1 組
- ケーブル処理アーム 1 本
- ステータスインジケータケーブル 1 個
- 10-32 x 0.5 インチフランジヘッドプラスネジ 8 本
- タイラップ（図 4-2 には記載されていません）

**メモ：**図と手順で示されているメートル法規格ではないネジは、サイズとインチ当たりネジ山数で表記されています。たとえば 1 インチに 32 個のネジ山がある #10 プラスネジは、10-32 ネジと表記します。

図 4-2. VersaRails ラックキットの内容



### 取り付け手順

ラックキットを取り付けるには、次の手順を番号順に行います。

- 1 ラックの扉の取り外し
- 2 ラックへの印付け
- 3 ラックへのスライドアセンブリの取り付け
  - RapidRails の取り付け
  - VersaRails の取り付け
- 4 システムのラックへの取り付け
- 5 ケーブル処理アームの取り付け
- 6 ケーブルの配線
- 7 ラックの扉の取り付け

### ラック扉の取り外し

ラックキャビネットに同梱のマニュアルに記載されている扉の取り外し手順を参照してください。

**⚠ 警告：ラックキャビネットの扉の大きさと重さを考慮して、取り付けまたは取り外しは 1 人では行わないでください。**

**⚠ 警告：取り外した扉は、不意に倒れてけがをしないような場所に保管してください。**

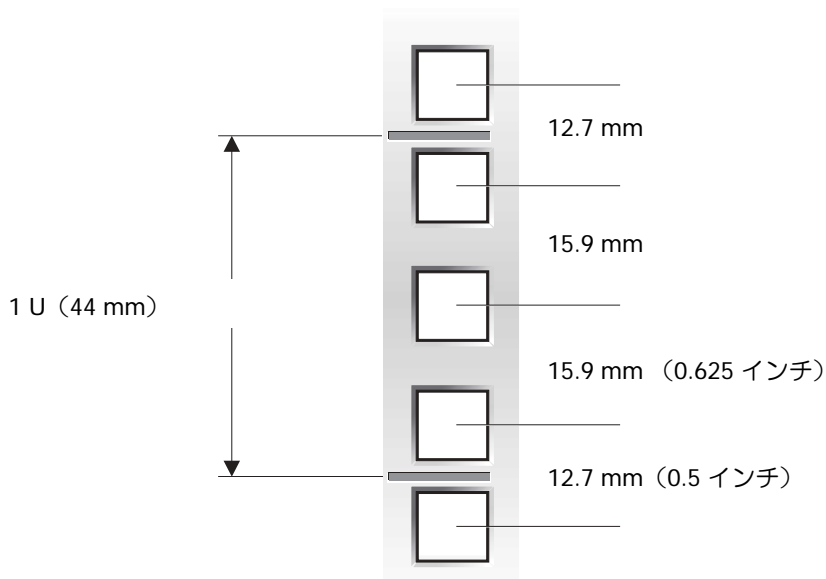


## ラックへの印付け

ラックに取り付ける各システムごとに、2 ラックユニット（2 U）（88mm または 3.5 インチ）の高さの空間が必要です。EIA-310 規格を満たすラックキャビネットには、1 ラックユニット（1 U）ごとに 3 つの穴が交互に並んでいます。穴の中心から中心まで距離は、前部および後部垂直レールの 1 U スペースの一番上の穴から計測して 15.9 mm、15.9 mm、12.7 mm（0.625 インチ、0.625 インチ、0.5 インチ）となっています（図 4-3 参照）。ラックキャビネットの穴には丸型または角型がありません。

**メモ：** 垂直レールには、1 U 間隔の水平の線と数字で印が付いていることがあります。この目盛りの数字をメモして作業を進めることもできます。ラックに印を付けたりテープを貼る作業は必須ではありません。「RapidRails スライドアセンブリの取り付け」に進んでください。

図 4-3. 1 ラックユニット（1 U）



**警告：** 複数のシステムを取り付ける場合は、ラックの最下段に 1 基目のシステムを取り付けられるように、スライドアセンブリを取り付けてください。

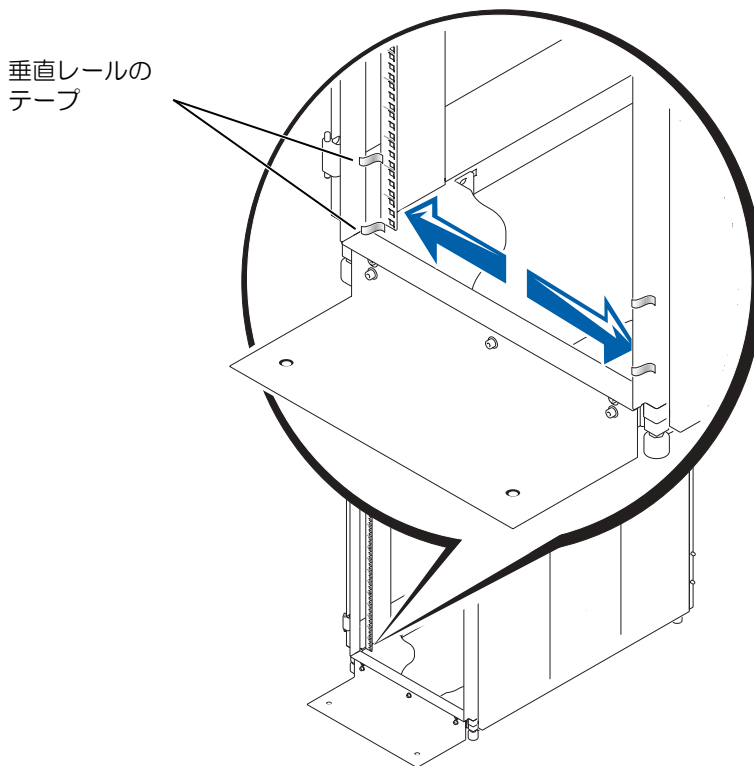
ラックに印を付けるには、次の手順を行います。

- 1 ラックの前面垂直レール上で、ラックキャビネットに取り付けるシステムの底部の位置を決め、印を付けます。

各 1 U スペースの底部は、間隔が狭い 2 つの穴にある金属の部分の真ん中になります（ラックキャビネットによっては水平なラインが刻まれている場合があります。図 4-4 参照）。

- 2 底部の印から 88 mm（3.5 インチ）上に（または EIA-310 規格に適合しているラックの場合は 6 個上の穴に）印を付け、ラックの前面垂直レールにフェルトペンやマスキングテープで印を付けます（穴の数を数えて印を付けた場合は一番上の穴の真上に印を付けます）。このマークまたはテープが、垂直レール上でシステムの上端が来る位置になります（図 4-4 参照）。

図 4-4. 垂直レールの印付け



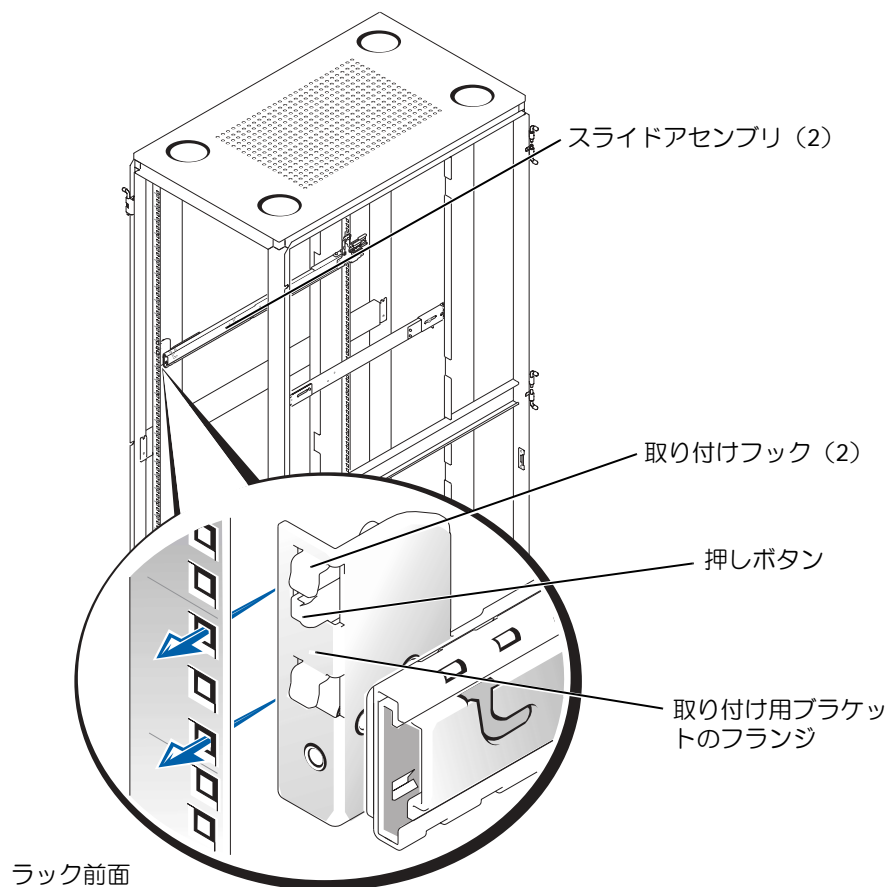
## RapidRails スライドアセンブリの取り付け

- 1 ラックキャビネットの前面で、RapidRails スライドアセンブリの取り付け用ブラケットのフランジが、ラックに付けた印やテープの間のスペースに収まるように、1つ目のスライドアセンブリの位置を合わせます（図 4-5 参照）。

スライドアセンブリの前面取り付け用ブラケットフランジの上部取り付けフックを、垂直レールに付けた印の間のスペースにある一番上の穴に差し込みます。

- 2 スライドアセンブリを前面に向かって押して、上部取り付けフックを垂直レールの対応する角型の穴に差し込み、取り付け用ブラケットのフランジを下に押しつけて取り付けフックを穴に固定します。完全に固定されると押しボタンがカチッと飛び出します（図 4-5 参照）。

図 4-5. RapidRails スライドアセンブリの取り付け



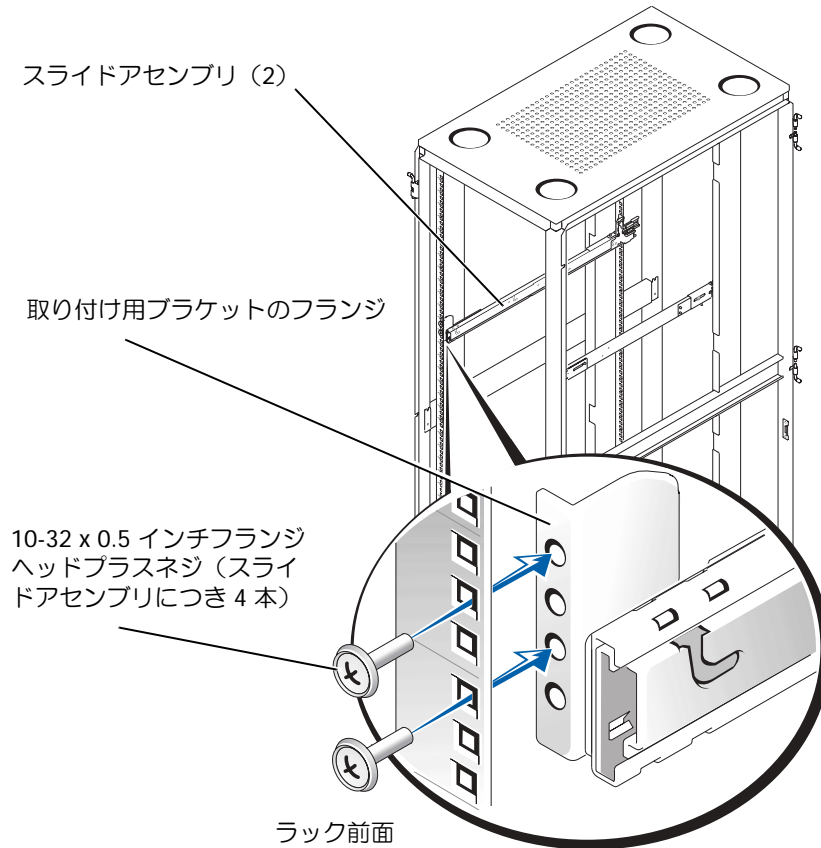
- 3 キャビネットの背面で、取り付け用ブラケットのフランジを後ろに引いて、上部取り付けフックを対応する角型の穴に差し込み、フランジを下に押し付けて取り付けフックを穴に固定します。完全に固定されるとプッシュボタンがカチッと飛び出します。
- 4 ラックの反対側にあるもう 1 つのスライドアセンブリについて、手順 1 から 3 を繰り返します。
- 5 左右の垂直レールで、取り付け用レールが同じ位置に取り付けられていることを確認します。

### VersaRails スライドアセンブリの取り付け

- 1 ラックキャビネットの前面で、2 個の VersaRails スライドアセンブリのいずれかを持ち、ラックの印やテープの間のスペース（またはメモした目盛りの位置）に取り付け用ブラケットのフランジが収まるようにセットします（図 4-6 参照）。

取り付け用ブラケット前部にある 4 個の穴が、前面垂直レールに付けた印の間（または選んでメモした目盛りの位置）にある 4 個の穴と合うようにしてください。
- 2 2 本の 10-32 x 0.5 インチフランジヘッドプラスネジを取り付け用フランジの一番上の穴と上から 3 個目の穴に差し込んで、スライドアセンブリを前面垂直レールに固定します（図 4-6 参照）。
- 3 キャビネットの背面から、取り付けブラケットのフランジを後ろに引いて、取り付け穴を背面垂直レールのそれぞれ対応する穴に合わせます。
- 4 2 本の 10-32 x 0.5 インチフランジヘッドプラスネジを取り付け用フランジ後部の一番上の穴と上から 3 個目の穴に差し込んで、スライドアセンブリを背面垂直レールに固定します。
- 5 ラックの反対側にあるもう 1 つのスライドアセンブリについて、手順 1 から 3 を繰り返します。
- 6 スライドアセンブリが、ラック両側の垂直レールの同じ位置に取り付けられていることを確認します。

図 4-6. VersaRails スライドアセンブリの取り付け



### ラックへのシステムの取り付け

**⚠ 警告：複数のシステムを取り付ける場合は、1 基目のシステムをラックの最下段の位置に取り付けてください。**

**⚠ 警告：一度に複数の部品をラックから引き出さないでください。**

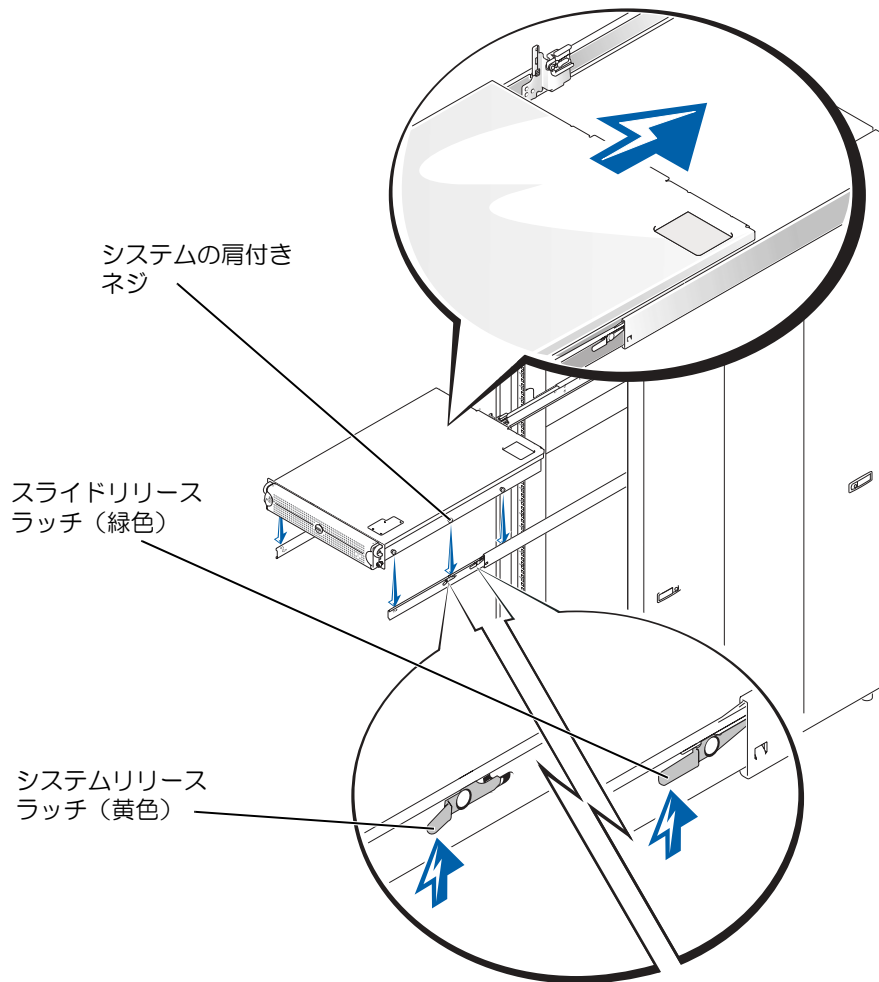
- 1 2本のスライドアセンブリを、ラックから完全に伸びきった位置でロックするまで引き出します。


**⚠ 警告：システムの大きさと重さを考慮して、システムのスライドアセンブリへの取り付けは決して1人で行わないでください。**

- 2 引き伸ばしたスライドの前面の位置までシステムを持ち上げます (図 4-7 参照)。


- 3 片方の手をシステムの前面の下に、もう片方の手をシステム背面の下に置きます。
- 4 システムの側面にある後部肩付きネジを、スライドアセンブリの背面スロットに合わせながら、システム背面を下に傾けます。
- 5 後部肩付きネジをスロットにはめ込みます。

図 4-7. システムのラックへの取り付け (RapidRails または VersaRails)



- 6 システム前面を下げて、前部と中央の肩付きネジをそれぞれ対応するスロットに差し込みます（中央のスロットは黄色のシステムリリースラッチの後ろにあります。図 4-7 参照）。  
すべての肩付きネジが正しくはまると、スライドアセンブリの黄色のラッチがカチッとロックされ、システムがスライドアセンブリに完全に固定されます。
  - 7 左右のスライドアセンブリの側面にあるスライドリリースラッチを押し上げて、システムをラックに収納します（図 4-7 参照）。
  - 8 前面パネルの両側にある拘束蝶ネジを差し込んで締め付け、システムをラックに固定します。
-  **メモ：**システムをスライドアセンブリから取り外すときは、黄色のシステムリリースラッチを使用します。

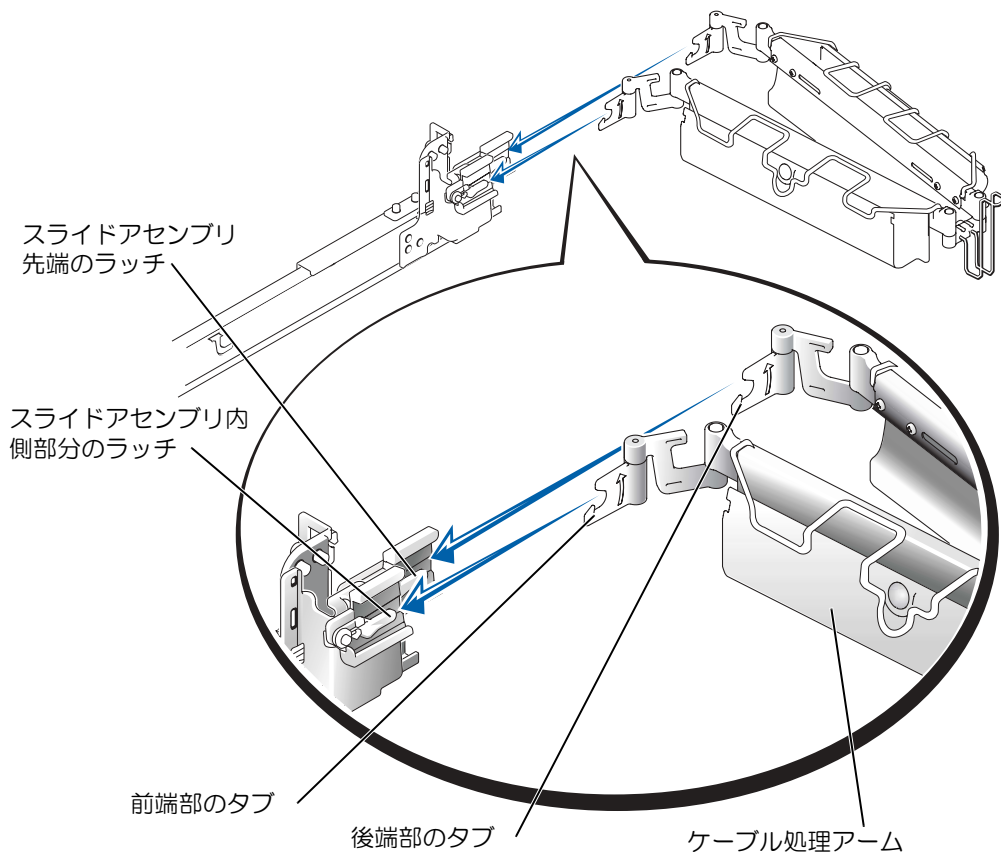
## ケーブル処理アームの取り付け

-  **注意：**ケーブル処理アームはキャビネットの背面から見て右側にしか取り付けられません。

システム背面にケーブル処理アームを取り付けるには、次の手順を実行します。

- 1 ラックキャビネットの背面に回り、スライドアセンブリの端にあるラッチの位置を確認します。
- 2 ケーブル処理アームの後部パーツのタブを、スライドアセンブリの端のラッチに差し込みます（図 4-8 参照）。  
ラッチがロックされると、カチッという音がします。
- 3 ケーブル処理アームの前部パーツのタブを、スライドアセンブリの内側のラッチに差し込みます（図 4-8 参照）。  
ラッチがロックされると、カチッという音がします。

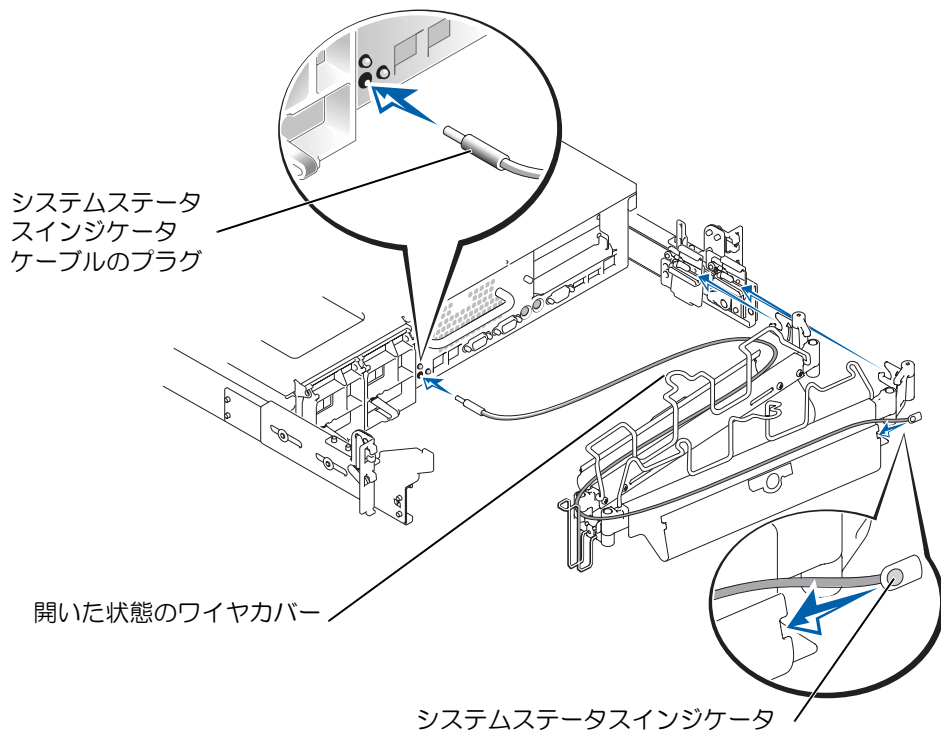
図 4-8. ケーブル処理アームの取り付け



- 4 システムステータスインジケータケーブルのプラグをコネクタに差し込みます (図 4-9 参照)。
- 5 ケーブル処理アームのワイヤカバーを開きます。まず丸いボタンで固定されている前部パーツの正面ワイヤを中央部分から開き、同じように丸いボタンで固定されている後部パーツのワイヤを開きます。  
ワイヤカバーが自動的に開き、アーム内にケーブルを配線できるようになります。
- 6 ケーブルアセンブリのシステムステータスインジケータの端をケーブル処理アームに通し、ケーブル処理アームの後部パーツにあるスロットに取り付けます (図 4-9 参照)。

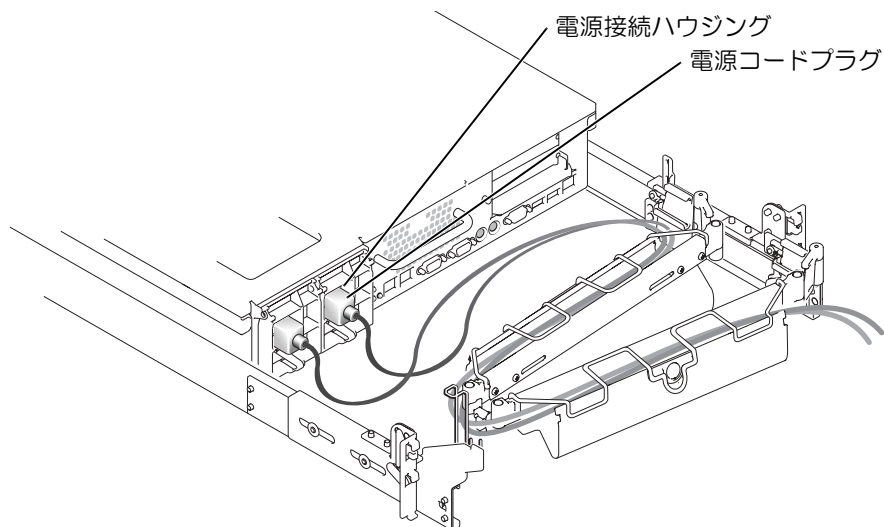


図 4-9. ケーブル処理アームの取り付け



7 電源ケーブルを背面パネルの接続端子に接続します (図 4-10 参照)。

図 4-10. 電源ケーブルの配線



**⚠ 警告：ケーブルは、ヒンジの動きを妨げないように多少余裕を持たせながらケーブル処理アームに通してください。**

### ケーブルの配線

- 1 I/O ケーブルコネクタを、システム背面パネルのそれぞれのコネクタに接続します。

ケーブル接続の詳細については、システムの『Installation and Troubleshooting Guide』と『ユーザーズガイド』を参照してください。

- 2 電源コードと I/O ケーブルをケーブル処理アームに通します。4 本のタイラップで緩めに固定してください（2 本はアームの中央で、2 本はアームの両端で固定します）。この時点では、タイラップをきつく締めないでください（図 4-11 参照）。

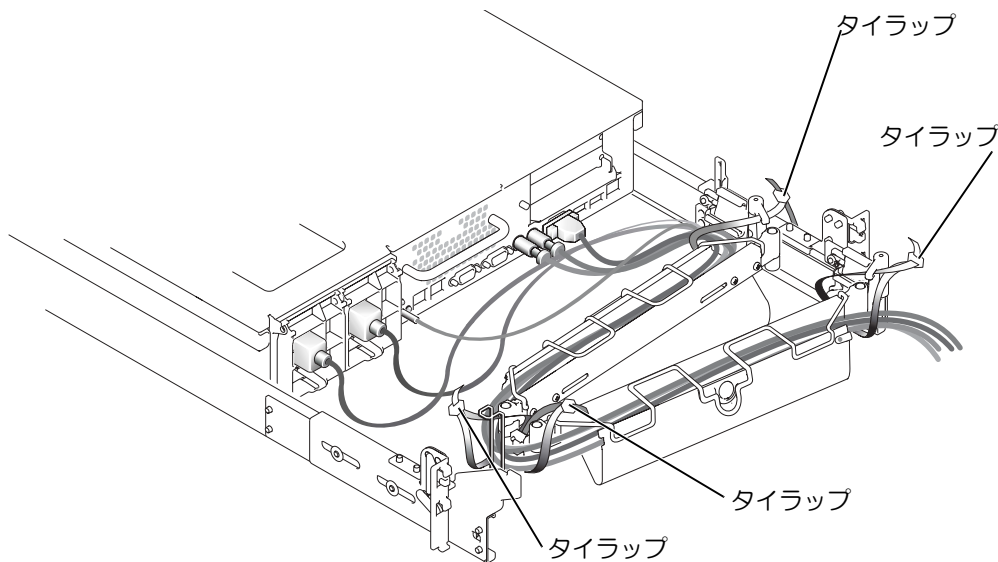
ケーブルの損傷を防ぐため、ケーブルはケーブル処理アームの中で多少たるませておきます。

- 3 ケーブルをケーブル処理アームに固定します。
  - a ケーブルをシステムに接続したら、システム前面を前面垂直レールに固定している蝶ネジを緩めます。
  - b システムを前方にスライドして完全に引き出します。
  - c ヒンジの動きを妨げないように多少余裕を持たせながら、ケーブルをケーブル処理アームに通します。タイラップでケーブルをアームに固定し、ケーブル処理アームのワイヤカバーを閉じます。

**メモ**：システムを引き出せる限度まで引き出すと、伸びきった位置でスライドアセンブリにロックがかかります。システムをラック内に戻すには、スライドの両側にあるスライドリリースラッチを押しながら、システムをスライドさせて完全にラックの中に戻します。

- 4 システムをラックから引き出しラックに押し戻して、ケーブルが正しく取り付けられているか、ケーブル処理アームの動きでケーブルが絡まったり、引きつったり、締め付けられたりしないか確認します。
- 5 ケーブルの張りがきつすぎたり緩すぎる場合は、必要に応じて張りを調節し、システムをラックから出し入れしてもケーブルがずれないようにします。

図 4-11. ケーブルの配線



### ラックの扉の取り付け

ラックキャビネットに同梱のマニュアルに記載されている扉の取り付け手順を参照してください。


**警告**：ラックキャビネットの扉の大きさと重さを考慮して、取り付けまたは取り外しは1人では行わないでください。

これで4柱型ラックキャビネットへのシステムの取り付けは完了です。

## 2 柱型ラックの取り付け

2 柱型ラックキットは、電気通信機器設備などで使用される 2 柱型オープンフレームリレーラックにシステムを取り付けるために使用します。3 インチおよび 6 インチ幅 2 柱型ラック（取り付け穴の間隔はユニバーサルまたはワイド）に対応しています。このキットは、センターマウントまたはフラッシュマウントのどちらの構成にも取り付けられます。2 柱型キットに入っているスライドアセンブリを使用すると、システムをラックから引き出してサービスを行えます。

2 柱型オープンフレームリレーラックは、床面、天井、壁の上部、あるいは隣接するラックに正しく固定する必要があります。固定する際は、ラックの製造元が指定する固定具や産業規格に適合した床面固定具または壁面固定具を使用してください。この取り付け作業を行う前に、2 柱型オープンフレームリレーラックの製造元が提供する取り付けマニュアルを参照して、取り付けに関する注意事項を確認してください。

 **警告：正しい位置にしっかりと固定されていない 2 柱型オープンフレームリレーラックには、システムを取り付けしないでください。システムの損傷や作業員および関係者のけがを招く恐れがあります。**

ラックの取り付けに関するその他の安全情報については、このマニュアルの最初にある「警告：安全にお使いいただくために」を参照してください。

### 2 柱型ラックの取り付け手順

2 柱型ラックキットを取り付けるには、次の手順を番号順に行います。

- 1 ラックへの印付け
- 2 ラックへのスライドアセンブリの取り付け
  - センターマウント
  - フラッシュマウント
- 3 ラックへのシステムの取り付け
- 4 ケーブル処理アームの取り付け
- 5 ケーブルの配線

## 推奨する工具および備品

2 柱型オープンフレームリレーラックにシステムを取り付けるには、次の工具と備品が必要です。

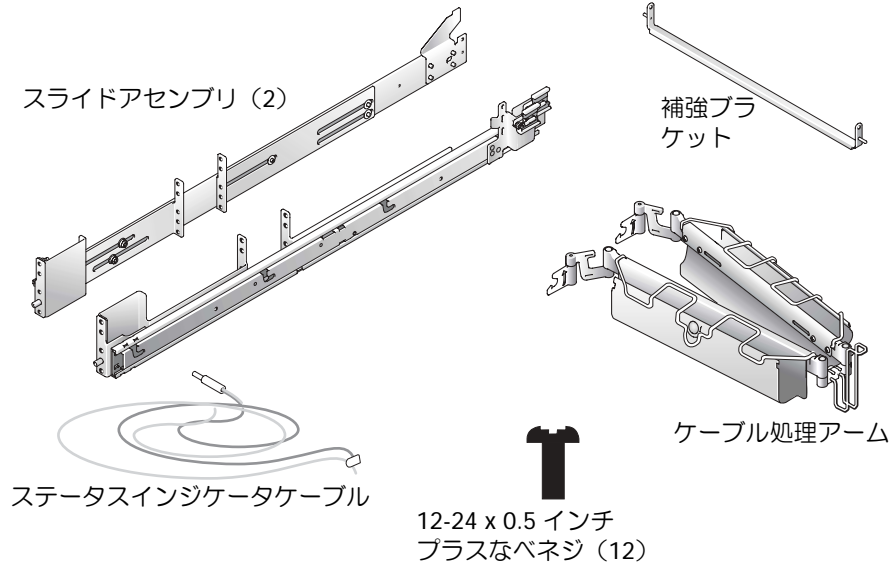
- #2 プラスドライバ
- 11/32 インチレンチまたはナットドライバ（ブラケットをフラッシュマウント構成に変更する場合）
- 取り付け穴に印を付けるために使用するマスキングテープまたはフェルトペン

## ラックキットの内容

2 柱型ラックキットの付属品は次のとおりです（図 4-12 参照）。

- スライドアセンブリ（2 柱型）1 組
- 補強ブラケット 1 本
- ケーブル処理アーム 1 本
- ステータスインジケータケーブル 1 個
- 12-24 x 0.5 インチプラスなベネジ 12 本
- タイラップ（図 4-12 には記載されていません）

図 4-12. 2 柱型ラックキットの部品



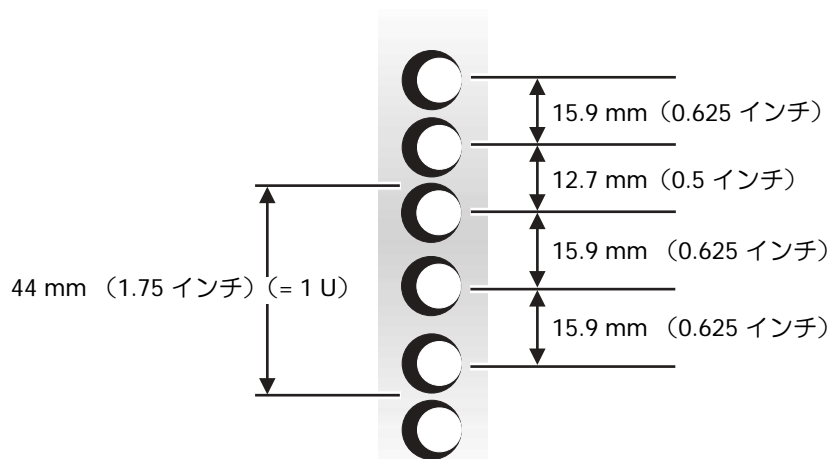
### ラックへの印付け

2 柱型ラックに取り付ける各システムごとに、2 ラックユニット (2 U) (88 mm または 3.5 インチ) の高さの空間が必要です。

### ユニバーサル間隔で穴があるラック

産業規格に適合している 2 柱型ラック (ユニバーサル規格) には、1 ラックユニット (1 U) ごとに 3 つの穴が交互に並んでいます。穴の中心から中心まで距離は、前面および背面の垂直支柱の 1 U スペースの一番上の穴から計測して 15.9 mm、15.9 mm、12.7 mm (0.625 インチ、0.625 インチ、0.5 インチ) となっています (図 4-13 参照)。

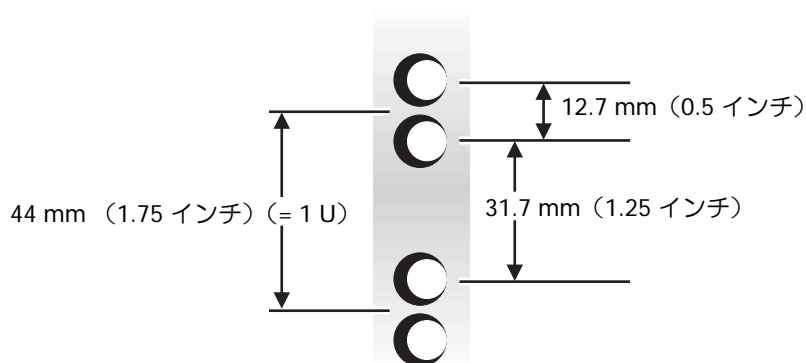
図 4-13. 2 柱型オープンフレームリレーラックのユニバーサル間隔の穴



### ワイド間隔で穴があるラック

一部の 2 柱型ラック（ワイド間隔）には、1 U ごとに 2 つの穴が交互に並んでいます。穴の中心から中心までの距離は、前面および背面の垂直支柱の 1 U スペースの一番上の穴から計測して 31.7 mm、12.7 mm（1.25 インチ、0.5 インチ）となっています（図 4-14 参照）。


図 4-14. 2 柱型オープンフレームリレーラックのワイド間隔の穴



ラックに印を付けるには、次の手順を行います。


- 1 前面垂直ルール上で、2 柱型ラックに取り付けるシステムの底部の位置を決め、印を付けます。

各 1 U の空間の一番下とは、穴の間が一番狭い金属部分の真ん中です。

 **メモ：**ワイド間隔で穴があるラックの場合は、手順 3 に進みます。

- 2 最初に印を付けた場所から 88 mm (3.5 インチ) 上 (あるいはユニバーサル間隔で穴があるラックでは、ラックの穴を上 に 3 つ数えた場所) に印を付けます (図 4-13 参照)。

ユニバーサル間隔で穴があるラックには、1U (44 mm または 1.75 インチ) ごとに 3 つの穴が並んでいます。穴の中心から中心までの距離は、1 U スペースの一番上の穴から計測して 15.9 mm、15.9 mm、12.7 mm (0.625 インチ、0.625 インチ、0.5 インチ) となっています (図 4-13 参照)。


 **メモ：**ユニバーサル間隔で穴があるラックの場合、ラックの印付け手順はこれで完了です。

- 3 最初に印を付けた場所から 88 mm (3.5 インチ) 上 (あるいはワイド間隔で穴があるラックでは、ラックの穴を上 に 4 つ数えた場所) に印を付けます (図 4-14 参照)。

ワイド間隔で穴があるラックには、1U (44 mm または 1.75 インチ) ごとに 2 つの穴が並んでいます。穴の中心から中心までの距離は、1 U スペースの一番上の穴から計測して 31.7 mm (1.25 インチ) となっています (図 4-14 参照)。

## ラックへのスライドアセンブリの取り付け

スライドアセンブリは、ユニバーサル間隔 (図 4-13 参照) またはワイド間隔 (図 4-14 参照) のどちらの穴がある 2 柱型オープンフレームラックにも取り付けできます。また、2 U スライドアセンブリは、フラッシュマウント構成またはセンターマウント構成で取り付けすることができます。

 **警告：**このラックキットを使って別のシステムを取り付けしないでください。ご使用のシステム用のラックキットのみをお使いください。別のシステム用のラックキットを使用すると、システムが損傷し、ご自身や作業者がけがをする恐れがあります。

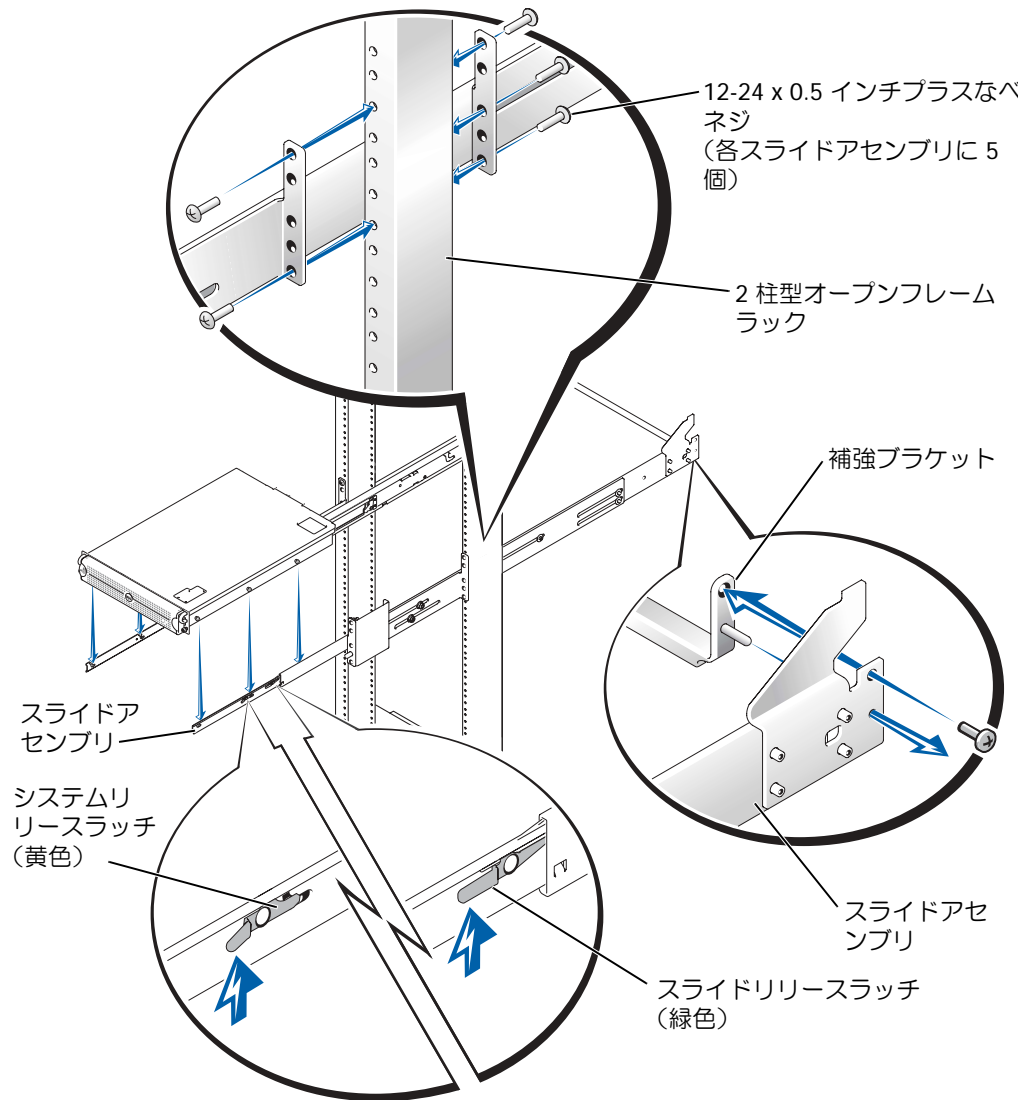


## センターマウント

2 柱型ラックキットは、センターマウント用にブラケットを構成して出荷されています。取り付けを完了するには、次の手順を行います。

- 1 右側のスライドアセンブリで、後部ブラケットをスライドアセンブリの背面方向に押し込みます（図 4-15 参照）。
- 2 右側のスライドアセンブリを、2 柱型ラックの印を付けた場所に合わせ、後部ブラケットを手前側に垂直 2 柱型ラックに押しつけて、12 – 24x0.5 インチプラスナベネジ 2 本で、前部センターマウント用ブラケットを固定し、12 – 24x0.5 インチプラスナベネジ 3 本で、後部センターマウント用ブラケットを固定します（図 4-15 参照）。
- 3 手順 1 と 2 を繰り返して、左側のスライドアセンブリもラックに取り付けます。
- 4 補強ブラケットをスライドアセンブリ後端の適切な穴に取り付け、12-24 x 0.5 インチプラスナベネジで各スライドアセンブリに固定します（図 4-15 参照）。

図 4-15. センターマウント構成でのスライドアセンブリの取り付け



## フラッシュマウント

2 柱型ラックキットは、センターマウント用にブラケットを構成して出荷されています。2 柱型ラックキットでフラッシュマウントを行うためにスライドアセンブリを作成するには、次の手順を行います。

- 1 滑らかな作業面に、スライドアセンブリの前端を手前にして 2 つのスライドアセンブリを並べます。センターブラケットが上を向くようにしてください（図 4-16 参照）。

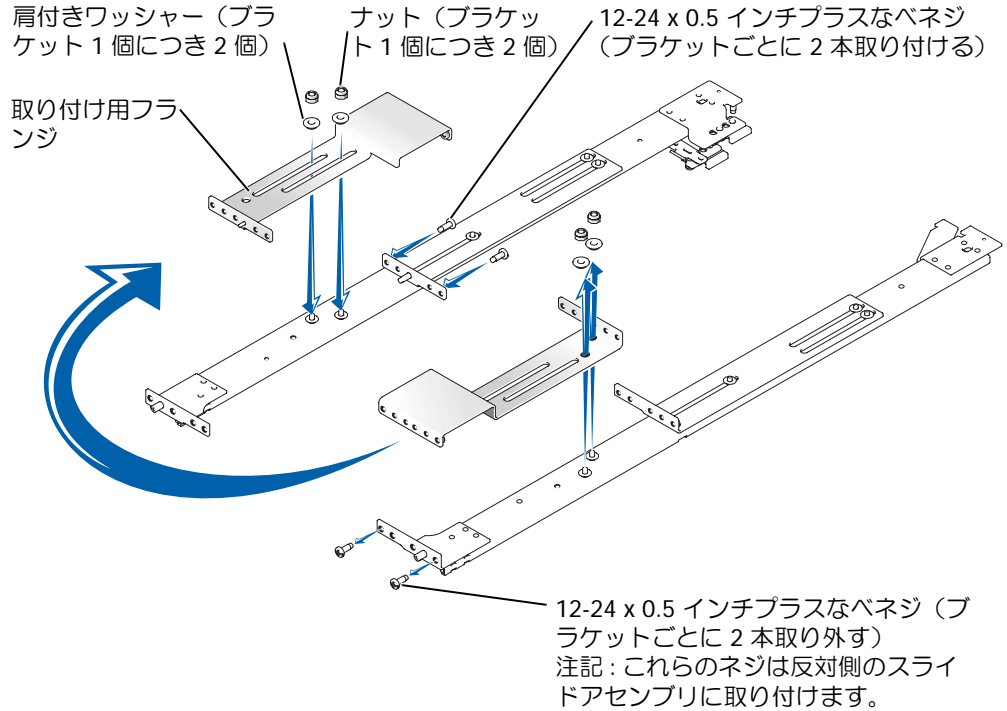


**メモ：**フラッシュマウント用のスライドアセンブリを作成するには、前面側取り付けブラケットを取り外し、180 度回転させてから、反対側のスライドアセンブリに取り付けます。

- 2 #2 プラスドライバと 11/32 インチレンチまたはナットドライバを使って、左右の前部センターブラケットから 2 本の 12-24 x 0.5 インチプラスなベネジ、2 個のナット、および 2 個の肩付きワッシャを取り外します（図 4-16 参照）。
- 3 前部ブラケットを両方のスライドアセンブリから取り外します。
- 4 片方のスライドアセンブリから取り外したブラケットを、180 度回転させて取り付けフランジが前方を向くようにしてから、反対側のスライドアセンブリのネジ山が付いたスタッドの上に置きます（図 4-16 参照）。
- 5 前部センターマウントブラケットを、手順 2 で取り外した 2 個の肩付きワッシャと 2 個のナットを使って、反対側のスライドアセンブリに指で仮留めします。（図 4-16 参照）。

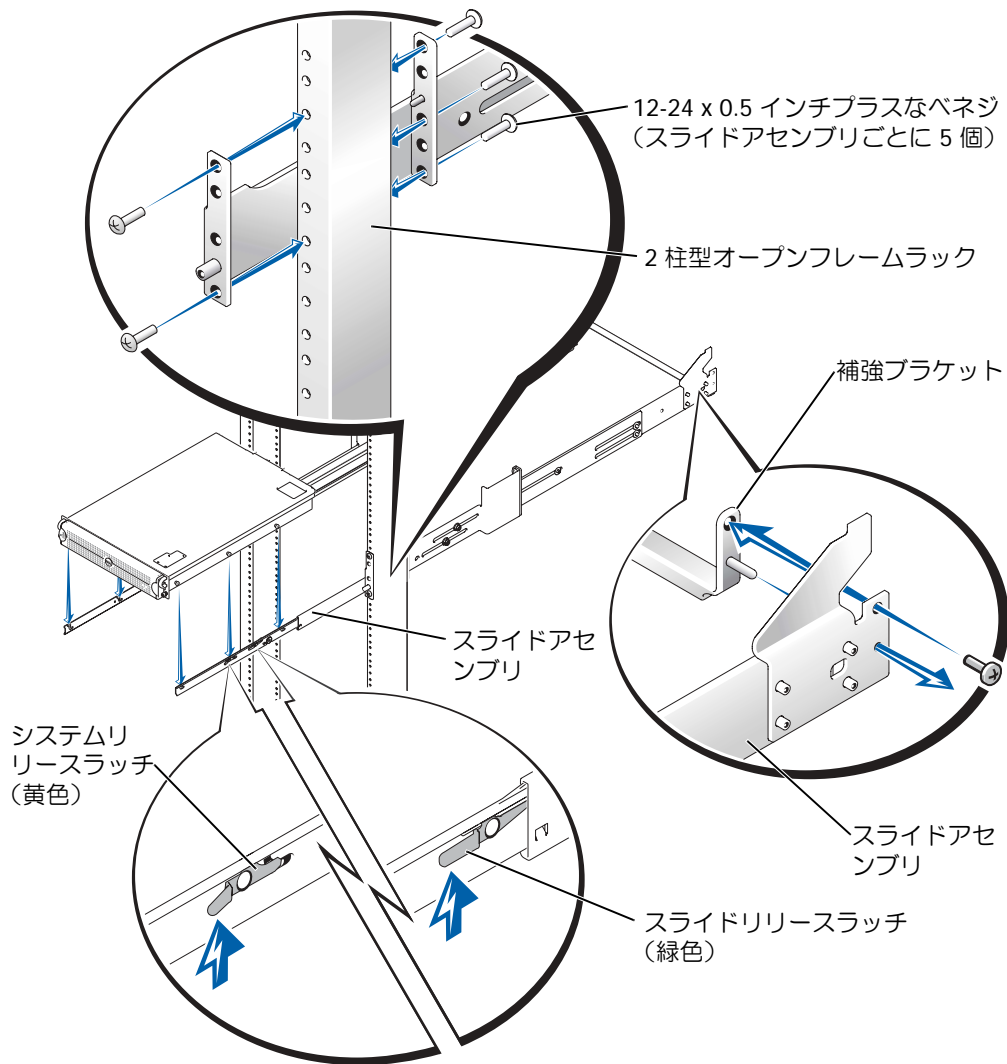
接続されたブラケットが新しい延長された後部ブラケットになります。

図 4-16. フラッシュマウントでの前面側取り付けブラケットの回転





- 6 手順 4 から 5 を繰り返して、反対側のスライドアセンブリを構成させます。
- 7 左側のスライドアセンブリを 2 柱型ラックの印を付けた位置に合わせ、延長式後部ブラケットを垂直 2 柱型ラックの背面にぴったり合うように調整して、12-24 x 0.5 インチプラスなベネジ 3 本で固定します（図 4-17 参照）。
- 8 2 本の 12-24 x 0.5 インチプラスなベネジを使って、スライドアセンブリの前部ブラケットを 2 柱型レールに固定します（図 4-17 参照）。
- 9 手順 7 から 8 を繰り返して、右側のアセンブリもラックに取り付けます。
- 10 11/32 インチレンチまたはナットドライバを使って、手で締めておいた両側のスライドアセンブリの取り付け用ブラケットのナットを完全に締め付けます。
- 11 補強ブラケットをスライドアセンブリ後端に取り付け、12-24 0.5 インチプラスなベネジで、ブラケットを各スライドアセンブリに固定します（図 4-17 参照）。

図 4-17. フラッシュマウント構成でのスライドアセンブリの取り付け




## ラックへのシステムの取り付け

 **警告：**システムの大きさと重さを考慮して、システムの取り付けは決して1人で行わないでください。

 **メモ：**ラックへのシステムの取り付け手順は、フラッシュマウント構成の場合もセンターマウント構成の場合も同様です。


- 1 スライドを完全に伸びきった位置まで引き出します。

 **警告：**システムの大きさと重さを考慮して、システムのスライドアセンブリへの取り付けは決して1人で行わないでください。

- 2 システムを適切な位置まで持ち上げます (図 4-17 参照)。
- 3 片方の手をシステム前面の下に、もう片方の手をシステム背面の下に置きます。
- 4 システムの側面にある後部肩付きネジを、スライドアセンブリの背面スロットに合わせながら、システム背面を下に傾けます。
- 5 後部肩付きネジをスロットにはめ込みます。
- 6 システム前面を下げて、前部と中央の肩付きネジをそれぞれ対応するスロットに差し込みます。中央のスロットは黄色のシステムリリースラッチの後ろにあります (図 4-17 参照)。

すべての肩付きネジが正しくはまると、スライドアセンブリの黄色のラッチがカチッとロックされ、システムがスライドアセンブリに完全に固定されます。

- 7 左右のスライドアセンブリの側面にあるスライドリリースラッチを押し上げて、システムをラックに収納します (図 4-17 参照)。
- 8 前面パネルの両側にある拘束蝶ネジを差し込んで締め付け、システムをラックに固定します。

 **メモ：**システムをスライドアセンブリから取り外すときは、黄色のシステムリリースラッチを使用します。

## ケーブル処理アームの取り付け

このマニュアルで前述の「4 柱型ラックへの取り付け」の「ケーブル処理アームの取り付け」を参照してください。

## ケーブルの配線

このマニュアルで前述の「4 柱型ラックへの取り付け」の「ケーブルの配線」を参照してください。

これで 2 柱型キットへのシステムの取り付けは完了です。

# 索引

## 数字

### 4 柱型キット

RapidRails キットの内容, 4-4

RapidRails スライドアセンブリ, 4-9

VersaRails キットの内容, 4-5

VersaRails スライドアセンブリ, 4-10

ケーブル処理アームの取り付け, 4-13

ケーブルの配線, 4-16

工具, 4-4

システムの取り付け, 4-11

手順, 4-6

ラックへの印付け, 4-7

### 2 柱型キット

ケーブル処理アームの取り付け, 4-28

ケーブルの配線, 4-28

システムの取り付け, 4-28

スライドアセンブリの取り付け, 4-22

センターマウント, 4-23

手順, 4-18, 4-19

内容, 4-19

フラッシュマウント, 4-25

補強ブラケット, 4-19, 4-26

ラックへの印付け, 4-20

## R

RapidRails キット内容, 4-4

## V

VersaRails キットの内容, 4-5

VersaRails のラック要件, 4-3

## あ

安全にお使いいただくために, 4-1

## き

キットの内容

RapidRails, 4-4

VersaRails, 4-6

## け

ケーブル, 4-16

ケーブル処理アーム

ケーブルの配線, 4-16, 4-28

取り付け, 4-13, 4-28

ケーブルの配線, 4-16, 4-28

## こ

工具

4 柱型キット, 4-4

## し

システムの取り付け

4 柱型キット, 4-11

2 柱型ラック, 4-28

## す

垂直レール

1 ラックユニット, 4-7

印付け, 4-7

## て

手順

4 柱型キット, 4-6

2 柱型キット, 4-18, 4-19

## と

扉

取り付け, 4-17

取り外し, 4-6

取り付け  
RapidRails スライドアセンブリ, 4-9  
VersaRails スライドアセンブリ, 4-10  
2 柱型スライドアセンブリ, 4-22  
ケーブル処理アーム, 4-28

ラックへの取り付け  
システム, 4-11, 4-12  
ラックユニット, 4-7

## な

内容のリスト

RapidRails キット, 4-4  
VersaRails キット, 4-5  
2 柱型キット, 4-19

## は

配線, 4-16

## ほ

補強ブラケット, 4-19  
取り付け, 4-23, 4-26

## ら

ラック安定用の脚, 4-4  
ラック取り付け時の注意事項, 4-3  
ラックへの印付け  
4 柱型キット, 4-7  
2 柱型キット, 4-20



Sistemas Dell™

# Guía de instalación del estante



# Notas, avisos y precauciones



**NOTA:** Una NOTA indica información importante que le ayudará a usar mejor su ordenador.



**AVISO:** Un AVISO indica un posible daño en el hardware o la pérdida de datos e informa de cómo evitar el problema.



**PRECAUCIÓN:** Un mensaje de PRECAUCIÓN indica la posibilidad de que el equipo resulte averiado, de sufrir lesiones personales o incluso la muerte.

---

La información de este documento está sujeta a modificaciones sin previo aviso.

© 2002 Dell Computer Corporation. Reservados todos los derechos.

Queda prohibida su reproducción en cualquier medio sin la autorización por escrito de Dell Computer Corporation.

Marcas comerciales que aparecen en el texto: *Dell*, el logotipo de *DELL*, *RapidRails* y *VersaRails* son marcas comerciales de Dell Computer Corporation.

Las demás marcas registradas y nombres comerciales que puedan utilizarse en este documento se refieren a las empresas que figuran en las marcas y los nombres de sus productos. Dell Computer Corporation renuncia a cualquier interés de propiedad en las marcas y nombres comerciales que no sean los suyos propios.

Octubre de 2002    N/R 7W226    Rev. A00

# Contenido

<b>PRECAUCIÓN: Instrucciones de seguridad</b> . . . . .	<b>5-1</b>
Montaje de sistemas en estante . . . . .	5-1
<b>Instrucciones de instalación</b> . . . . .	<b>5-2</b>
<b>Instalación de estante de cuatro postes</b> . . . . .	<b>5-3</b>
Antes de empezar . . . . .	5-3
Herramientas y suministros recomendados. . . . .	5-4
Contenido del kit de estante RapidRails . . . . .	5-5
Contenido del kit de estante VersaRails . . . . .	5-5
Tareas de instalación . . . . .	5-6
Desmontaje de las puertas del estante . . . . .	5-6
Marcado del estante . . . . .	5-7
Instalación de los ensamblajes deslizantes RapidRails . . . . .	5-9
Instalación de los ensamblajes deslizantes VersaRails . . . . .	5-11
Instalación del sistema en el estante . . . . .	5-13
Instalación de la extensión para la administración de cables . . . . .	5-15
Canalización de cables. . . . .	5-18
Colocación de las puertas del estante . . . . .	5-20
<b>Instalación de estante de dos postes</b> . . . . .	<b>5-20</b>
Tareas de instalación del estante de dos postes. . . . .	5-21
Herramientas y suministros recomendados. . . . .	5-21
Contenido del kit de estantes. . . . .	5-21
Marcado del estante. . . . .	5-22
Instalación de los ensamblajes deslizantes en el estante . . . . .	5-25
Instalación del sistema en el estante . . . . .	5-30
Instalación de la extensión para la administración de cables . . . . .	5-31
Canalización de cables. . . . .	5-31

## Figuras

Figura 5-1.	Contenido del kit de estante RapidRails . . . . .	5-5
Figura 5-2.	Contenido del kit de estante VersaRails . . . . .	5-6
Figura 5-3.	Una unidad de estante . . . . .	5-7
Figura 5-4.	Marcado de los rieles verticales . . . . .	5-8
Figura 5-5.	Instalación de los ensamblajes deslizantes RapidRails . . . . .	5-10
Figura 5-6.	Instalación de los ensamblajes deslizantes VersaRails . . . . .	5-12
Figura 5-7.	Instalación del sistema en el estante (RapidRails o VersaRails) . . . . .	5-14
Figura 5-8.	Instalación de la extensión para la administración de cables . . . . .	5-16
Figura 5-9.	Instalación de la extensión para la administración de cables . . . . .	5-17
Figura 5-10.	Canalización de los cables de alimentación . . . . .	5-18
Figura 5-11.	Canalización de cables . . . . .	5-19
Figura 5-12.	Componentes del kit de estante de dos postes . . . . .	5-22
Figura 5-13.	Separación entre los orificios universal en un estante de relevo de estructura abierta de dos postes . . . . .	5-23
Figura 5-14.	Separación entre los orificios ancha en un estante de relevo de estructura abierta de dos postes . . . . .	5-24
Figura 5-15.	Instalación de los ensamblajes deslizantes para una configuración de montaje centrado . . . . .	5-26
Figura 5-16.	Rotación del soporte de montaje frontal para el montaje al ras . . . . .	5-28
Figura 5-17.	Instalación de los ensamblajes deslizantes para una configuración de montaje al ras . . . . .	5-29


# **PRECAUCIÓN: Instrucciones de seguridad**

Siga estas directrices de seguridad para garantizar su propia seguridad y la del servidor, el sistema y el entorno de trabajo frente a posibles daños. Para obtener información completa acerca de la seguridad, consulte la *Guía de información del sistema*.


## **Montaje de sistemas en estante**

Tenga en cuenta estas precauciones para garantizar la estabilidad y seguridad del estante.


Los sistemas se consideran componentes del estante. Por lo tanto, "componente" se refiere a cualquier sistema, así como a los distintos periféricos o al hardware de soporte.

 **PRECAUCIÓN: La instalación de los sistemas en un estante sin los estabilizadores delanteros o laterales montados puede hacer que vuelque el estante, hecho que puede llegar a producir lesiones personales en ciertas circunstancias. Por tanto, instale siempre los estabilizadores antes de instalar los componentes en el estante.**

**Después de instalar los sistemas o componentes en un estante, nunca extraiga más de un componente sobre sus ensamblajes deslizantes de forma simultánea. El peso de más de un componente puede hacer que vuelque el estante y producir lesiones graves.**

 **NOTA:** El sistema está homologado en cuanto a seguridad como unidad autónoma y como componente para su uso en un armario de estantes Dell™ utilizando el kit de estante del cliente. La instalación del sistema y el kit de estante en otros armarios de estantes no ha sido aprobado por ninguna agencia de seguridad. Es responsabilidad del cliente asegurarse de que la combinación final de sistema y los estantes cumplan todos los estándares de seguridad y los requisitos locales de la normativa sobre electricidad. Dell declina toda responsabilidad y garantías relacionadas con tales combinaciones.

- Los kits de estantes están concebidos para su instalación en estantes por parte de técnicos de servicio con experiencia. Si instala el kit en cualquier otro tipo de estante, éste debe cumplir las especificaciones de un estante Dell.

 **PRECAUCIÓN: No mueva estantes de gran tamaño sin ayuda. Debido a la altura y al peso del estante, se recomienda un mínimo de dos personas para realizar dicha tarea.**

## **PRECAUCIÓN: Instrucciones de seguridad** ***(continuación)***

- Antes de trabajar en el estante, asegúrese de que los estabilizadores están fijados al estante, que reposan en el suelo y que todo el peso del estante descansa sobre el suelo. Asimismo, monte los estabilizadores delanteros y laterales en un único estante, o los estabilizadores delanteros para varios estantes unidos.
- Cargue siempre el estante desde la parte inferior hacia arriba, colocando en primer lugar el elemento más pesado.
- El estante debe estar nivelado y estabilizado antes de extraer un componente.
- Tenga cuidado al presionar los pestillos de liberación de los rieles de componentes y al extraer o volver a introducir un componente en el estante, puesto que puede pillarse los dedos con los rieles deslizantes.
- Una vez insertado un componente en el estante, extienda con cuidado el riel hasta su posición de bloqueo y deslice el componente hacia el interior del estante.
- No sobrecargue el ramal del circuito de alimentación de CA que suministra energía al estante. La carga total del estante no debe ser superior al 80 por ciento del valor nominal del ramal del circuito.
- Los componentes del estante deben disponer de suficiente flujo de aire.
- No se suba ni se apoye en ningún componente al reparar otros componentes del estante.

## **Instrucciones de instalación**


Esta guía de instalación proporciona instrucciones para técnicos de servicio formados que instalen uno o más sistemas en un estante de relevo de estructura abierta o en un armario de estantes. El kit de estante RapidRails™ se puede instalar en todos los armarios de estantes del fabricante sin herramientas y el kit de estante VersaRails™ se puede instalar en la mayoría de los armarios de estantes estándar del sector. Los procedimientos para instalar los kits de estantes RapidRails y VersaRails son similares. Por cada sistema que se vaya a instalar en el armario de estantes se precisa un kit de estante.

La guía incluye los procedimientos para los kits de estante siguientes:


- Kit RapidRails en un armario de estantes de cuatro postes
- Kit VersaRails en un armario de estantes de cuatro postes
- El kit de dos postes (montado con una configuración de montaje centrado o montaje al ras, para estantes con una anchura de 3 ó 6 pulgadas)

Para facilitar la solución de problemas y la identificación del estado del sistema, estos kits de estante incluyen un cable de indicador de estado que transfiere la información de los indicadores de estado de dos colores de los paneles frontal y posterior a la parte posterior de la extensión para la administración de cables. Para obtener información adicional sobre estos indicadores, consulte la *Guía del usuario del sistema*.

Antes de llevar a cabo la instalación, lea detenidamente el documento completo.

 **PRECAUCIÓN: No instale componentes del kit de estante que se hayan diseñado para otro sistema. Utilice únicamente el kit de estante para su sistema. Si utiliza un kit de estante para otro sistema, puede causar daños en el sistema, sufrir lesiones corporales o provocar lesiones a terceros.**

#### Requisitos del estante para VersaRails


 **AVISO:** El kit de estante VersaRails lo debe instalar únicamente técnicos de servicio cualificados en un estante que cumpla con las especificaciones siguientes: American National Standards Institute (ANSI)/Electronic Industries Association (EIA) ANSI/EIA-310-D-92, International Electrotechnical Commission (IEC) 297 y Deutsche Industrie Norm (DIN) 41494. Para cada sistema que se vaya a instalar en el estante se precisa un kit de estante.

## Instalación de estante de cuatro postes

Antes de llevar a cabo la instalación, lea detenidamente el procedimiento completo.

### Antes de empezar

Antes de empezar a instalar el sistema en el estante, lea detenidamente “PRECAUCIÓN: Instrucciones de seguridad” en una sección anterior de este documento, así como las instrucciones de seguridad incluidas en el documento *Información del sistema* para obtener información adicional.

 **PRECAUCIÓN: Cuando instale varios sistemas en un estante, realice todos los procedimientos para el sistema actual antes de instalar el siguiente sistema.**

**⚠ PRECAUCIÓN:** Los armarios de estante pueden ser muy pesados y moverse fácilmente con las ruedas. El armario no tiene frenos. Preste extremo cuidado al mover el armario de estantes. Recoja las patas niveladoras al volver a colocar el armario de estantes. Evite inclinaciones largas o pronunciadas para evitar pérdidas de control del armario. Extienda las patas niveladoras de apoyo para evitar que el armario se desplace.

### Información de seguridad importante

Cuando instale el sistema en el estante, tome las precauciones de seguridad que se indican en los siguientes apartados.

**⚠ PRECAUCIÓN:** Debe seguir estrictamente los procedimientos que se explican en esta guía para protegerse a sí mismo y a otras personas que se puedan ver involucradas. El sistema puede tener una envergadura y un peso considerables por lo que son importantes una preparación y planificación adecuadas para evitar lesiones personales de propias y de terceros. Esto es más importante aún cuando se instalan sistemas en la parte alta del estante.

### Patas estabilizadoras del estante

**⚠ PRECAUCIÓN:** La instalación de sistemas en un estante sin haber instalado previamente las patas estabilizadoras delanteras y laterales puede hacer que vuelque el estante, hecho que puede llegar a producir lesiones personales en ciertas circunstancias. Por tanto, instale siempre las patas estabilizadoras antes de instalar los componentes en el estante.

**⚠ PRECAUCIÓN:** Tras instalar sistemas en un estante, nunca extraiga más de un sistema del estante sobre sus ensamblajes deslizantes a la vez. El peso de más de un sistema extendido puede hacer que vuelque el estante y causar algún daño.

Las patas estabilizadoras evitan que vuelque el estante cuando se extrae más de un sistema u otro componente con los ensamblajes deslizantes totalmente extendidos. Consulte la documentación que se facilita con el armario de estantes para obtener instrucciones sobre la instalación y la fijación de las patas estabilizadoras.

### Herramientas y suministros recomendados

Para instalar el sistema en un estante de cuatro postes, necesita las herramientas y material siguientes:

- Un destornillador Phillips del n.º 2 (para instalar los ensamblajes deslizantes VersaRails)
- Cinta adhesiva o rotulador de punta de fieltro, para marcar los orificios de montaje necesarios

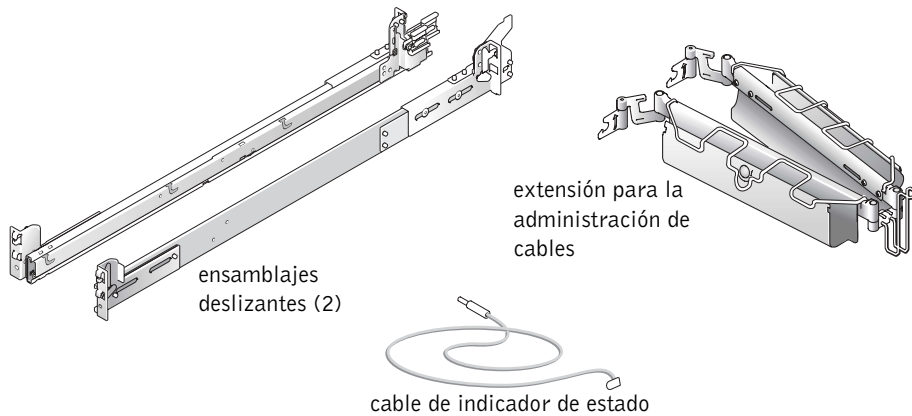


## Contenido del kit de estante RapidRails

El kit de estante RapidRails incluye los siguientes elementos (consulte la Figura 5-1):

- Un par de ensamblajes deslizantes RapidRails
- Una extensión para la administración de cables
- Un cable de indicador de estado
- Abrazaderas (no mostradas en la Figura 5-1)

**Figura 5-1. Contenido del kit de estante RapidRails**



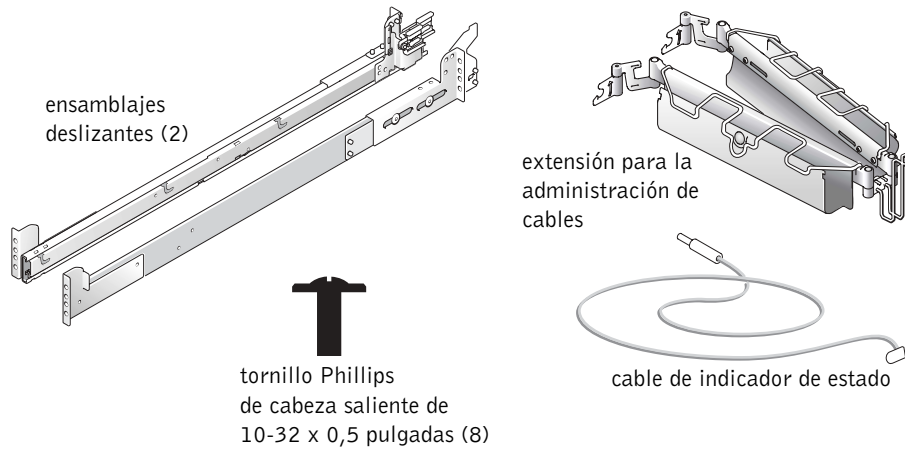
## Contenido del kit de estante VersaRails

El kit de estante VersaRails incluye los siguientes elementos (consulte la Figura 5-2):

- Un par de ensamblajes deslizantes VersaRails
- Una extensión para la administración de cables
- Un cable de indicador de estado
- Ocho tornillos Phillips de cabeza saliente de 10-32 x 0,5 pulgadas
- Abrazaderas (no mostradas en la Figura 5-2)



**NOTA:** Los tornillos no métricos que se describen en las ilustraciones y en los pasos de los procedimientos se identifican por el tamaño y el número de roscas por pulgada. Por ejemplo, un tornillo de cabeza Phillips del n.º 10 con 32 roscas por pulgada se identifica como un tornillo 10-32.

**Figura 5-2. Contenido del kit de estante VersaRails**

## Tareas de instalación

La instalación de un kit de estante implica realizar las siguientes tareas en el orden indicado:

- 1 Desmontaje de las puertas del estante
- 2 Marcado del estante
- 3 Instalación de los ensamblajes deslizantes en el estante:
  - Instalación de RapidRails
  - Instalación de VersaRails
- 4 Instalación del sistema en el estante
- 5 Instalación de la extensión para la administración de cables
- 6 Canalización de cables
- 7 Colocación de las puertas del estante

## Desmontaje de las puertas del estante

Para retirar las puertas, consulte los procedimientos en la documentación suministrada con el armario de estantes.

**⚠ PRECAUCIÓN: Debido al tamaño y al peso de las puertas del armario de estantes, nunca debe intentar montarlas ni desmontarlas sin ayuda.**

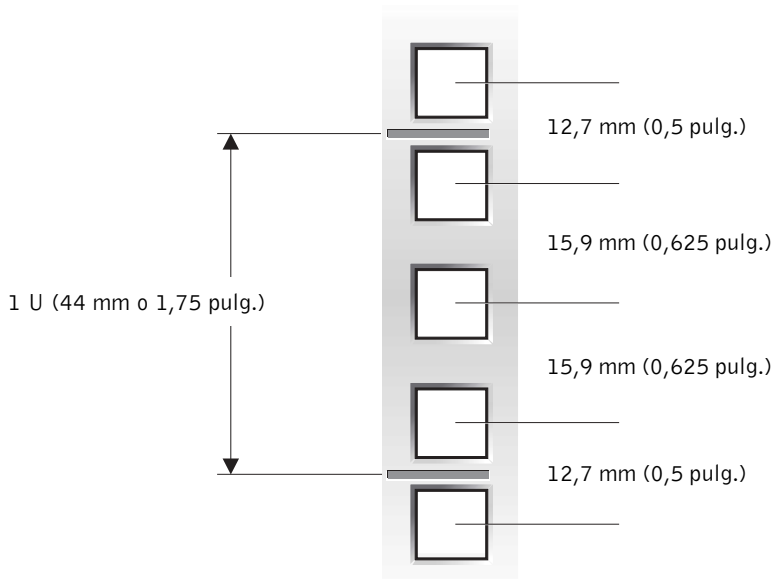
**⚠ PRECAUCIÓN:** Guarde las dos puertas donde no puedan lesionar a nadie si se caen accidentalmente.

## Marcado del estante

Debe dejar 2 U (88 mm o 3,5 pulgadas) de espacio vertical para cada sistema que instale en el estante. Los armarios de estantes que cumplan con los estándares EIA-310 tienen un patrón alterno de tres orificios por unidad de estante con un espacio entre orificios de centro a centro (comenzando en el orificio superior de un espacio de 1 U) de 15,9 mm, 15,9 mm y 12,7 mm (0,625 pulg., 0,625 pulg. y 0,5 pulg.) para los rieles verticales frontal y posterior (consulte la Figura 5-3). Los armarios de estantes pueden tener orificios redondos o cuadrados.

**🔍 NOTA:** Los rieles verticales se pueden marcar con líneas horizontales y números a incrementos de 1 U. Si lo desea, puede anotar el número haciendo una marca en el riel vertical del estante. No es necesario marcar o colocar cinta en el estante. Si elige este método, pase directamente al procedimiento "Instalación de los ensamblajes deslizantes RapidRails".

**Figura 5-3. Una unidad de estante**



**⚠ PRECAUCIÓN:** Si va a instalar más de un sistema, instale los ensamblajes deslizantes de modo que el primer sistema quede instalado en la posición más baja disponible en el estante.

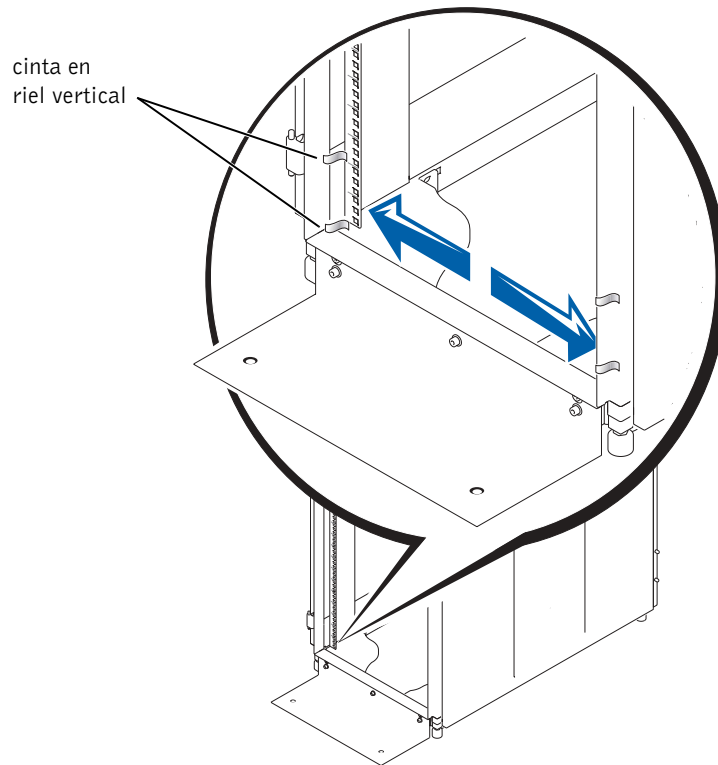
Para marcar el estante, realice los pasos siguientes:

- 1 Coloque una marca en los rieles verticales frontales del estante en los que desee colocar la parte inferior del sistema que está instalando en el armario de estantes.

La parte inferior de cada espacio 1 U se encuentra en medio de la zona metálica más estrecha entre orificios (marcados con una línea horizontal en algunos armarios de estantes; consulte la Figura 5-4).

- 2 Coloque una marca 88 mm (3,5 pulg.) por encima de la marca original (o cuente hasta el sexto orificio en un estante que cumpla los estándares EIA-310) y marque los rieles verticales frontales del estante con un rotulador de punta de fieltro o con cinta adhesiva (si ha contado orificios, coloque una marca justo encima del orificio superior). Esta marca o trozo de cinta indica dónde se va a situar el borde superior del sistema en los rieles verticales (consulte la Figura 5-4).

**Figura 5-4. Marcado de los rieles verticales**

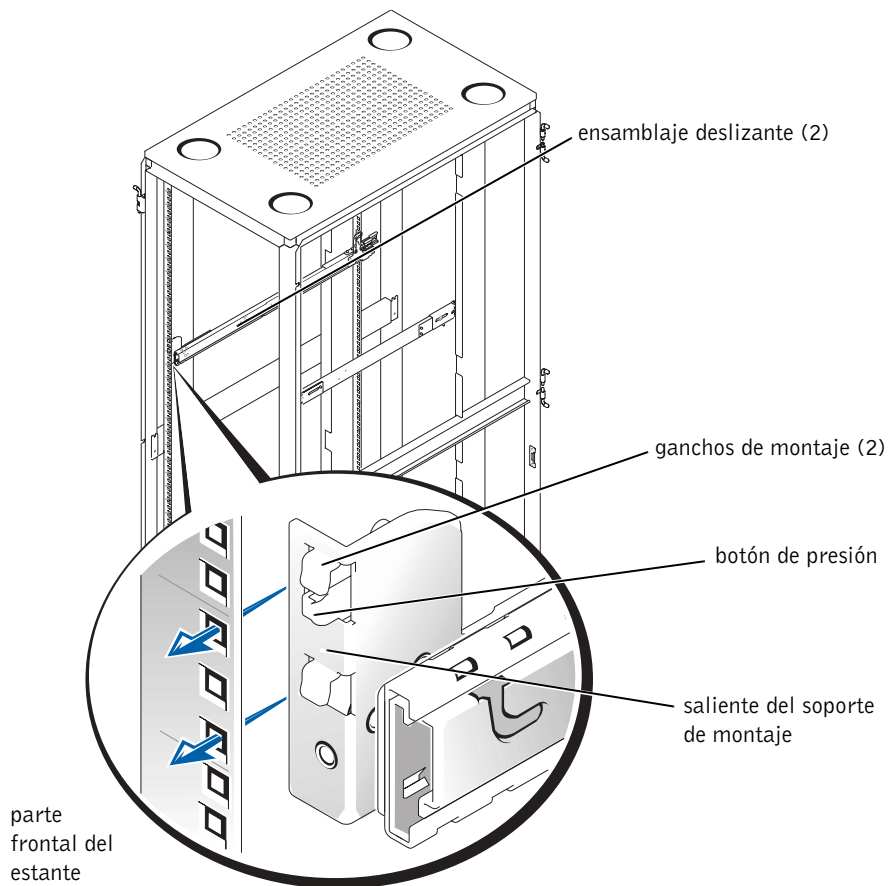


## **Instalación de los ensamblajes deslizantes RapidRails**

- 1** En la parte frontal del armario de estantes, coloque uno de los ensamblajes deslizantes RapidRails de modo que el saliente del soporte de montaje quede situado entre las marcas o la cinta colocada en el estante (consulte la Figura 5-5).

El gancho de montaje superior situado en el saliente del soporte de montaje frontal del ensamblaje deslizante deberá entrar en el orificio superior entre las marcas hechas en los rieles verticales.

- 2** Empuje el ensamblaje deslizante hacia delante hasta que el gancho de montaje superior se introduzca en el orificio cuadrado superior sobre el que ha dibujado una marca en el riel vertical y, a continuación, empuje hacia abajo el saliente del soporte de montaje hasta que los ganchos de montaje se introduzcan en los orificios cuadrados, y el botón de presión salga y emita un clic (consulte la Figura 5-5).

**Figura 5-5. Instalación de los ensamblajes deslizantes RapidRails**

- 3** En la parte posterior del armario, tire hacia atrás del saliente del soporte de montaje hasta que el gancho de montaje superior quede colocado en el orificio cuadrado superior y, a continuación, empuje hacia abajo el saliente hasta que los ganchos de montaje se introduzcan en los orificios cuadrados y el botón de presión salga y emita un clic.
- 4** Repita los pasos del 1 al 3 para el ensamblaje deslizante del otro lateral del estante.
- 5** Asegúrese de que los rieles estén montados en la misma posición en ambos lados del estante.

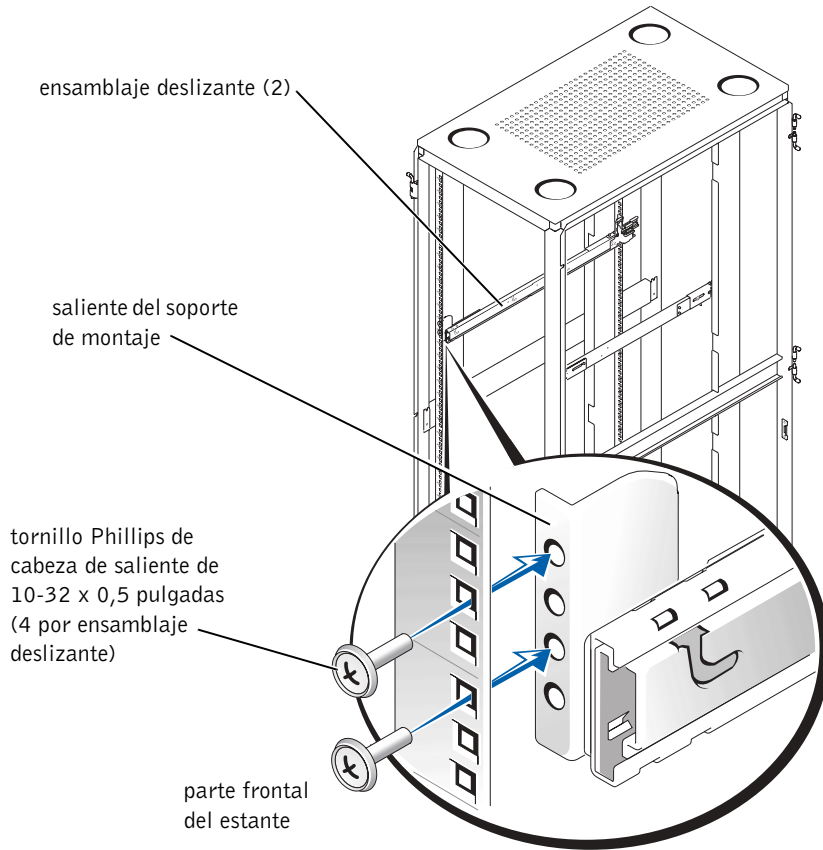
## Instalación de los ensamblajes deslizantes VersaRails

- 1** En la parte frontal del armario de estantes, coloque uno de los ensamblajes deslizantes VersaRails de modo que su saliente del soporte de montaje quede situado entre las marcas o la cinta colocada (o la ubicación numerada) en el estante (consulte la Figura 5-6).

Los cuatro orificios de la parte frontal del soporte de montaje deben alinearse con los cuatro orificios situados entre las marcas realizadas en el riel vertical frontal.


- 2** Coloque dos tornillos Phillips de cabeza saliente de 10-32 x 0,5 pulg. en el orificio superior del saliente de montaje y en el tercer orificio contando desde la parte superior para sujetar el ensamblaje deslizante al riel vertical frontal (consulte la Figura 5-6).
- 3** En la parte posterior del armario, tire hacia atrás del saliente del soporte de montaje hasta que los orificios de montaje queden alineados con los orificios correspondientes del riel vertical posterior.
- 4** Coloque dos tornillos Phillips de cabeza saliente de 10-32 x 0,5 en el orificio superior del saliente de montaje posterior y en el tercer orificio contando desde la parte superior para fijar el ensamblaje deslizante al riel vertical posterior.
- 5** Repita los pasos del 1 al 4 para el ensamblaje deslizante del otro lateral del estante.
- 6** Asegúrese de que los ensamblajes deslizantes están montados en la misma posición en los rieles verticales en cada lado del estante.


**Figura 5-6. Instalación de los ensamblajes deslizantes VersaRails**





## Instalación del sistema en el estante

 **PRECAUCIÓN:** Si va a instalar más de un sistema, instale el primero en la posición más baja que haya disponible en el estante.

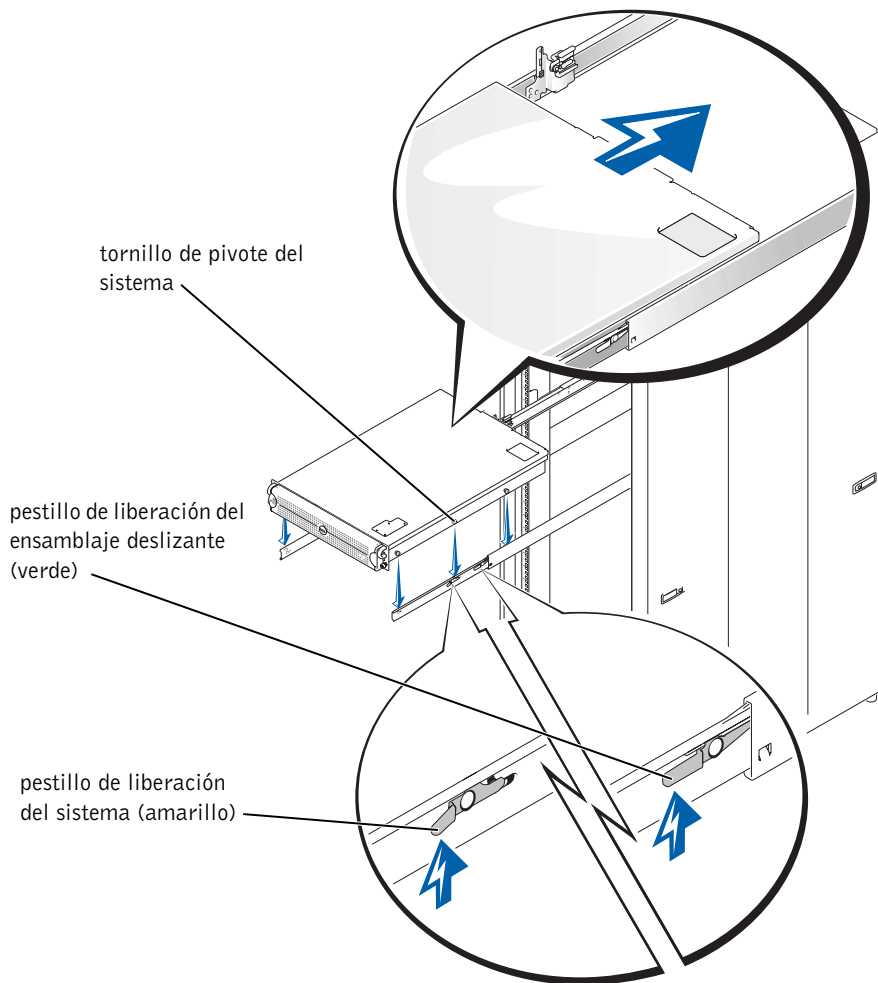
 **PRECAUCIÓN:** Nunca extraiga más de un componente del estante a la vez.

- 1 Tire de los dos ensamblajes deslizantes hacia afuera del estante hasta que queden totalmente extendidos.

 **PRECAUCIÓN:** Debido al tamaño y el peso del sistema, no intente nunca instalar el sistema en los ensamblajes deslizantes sin ayuda.

- 2 Levante el sistema hasta su posición en la parte delantera de los ensamblajes deslizantes (consulte la Figura 5-7).
- 3 Coloque una mano en la parte inferior delantera del sistema y la otra en la parte inferior trasera.
- 4 Incline la parte posterior del sistema hacia abajo mientras alinea los tornillos de pivote posteriores situados en los laterales del sistema con las ranuras posteriores de los ensamblajes deslizantes.
- 5 Coloque los tornillos de pivote posteriores en sus ranuras.


**Figura 5-7. Instalación del sistema en el estante (RapidRails o VersaRails)**




- 6** Baje la parte frontal del sistema y coloque los tornillos de pivote frontal y central en sus ranuras (la ranura central está justo detrás del pestillo amarillo de liberación del sistema [consulte la Figura 5-7]).

Cuando estén correctamente colocados todos los tornillos de pivote, el pestillo amarillo de cada ensamblaje deslizante bloquea el sistema en dicho ensamblaje con un clic.

- 7 Presione el pestillo de liberación verde del ensamblaje deslizante situado en el lateral de cada ensamblaje deslizante para deslizar el sistema completamente hacia el interior del estante (consulte la Figura 5-7).
- 8 Apriete y gire los tornillos mariposa cautivos situados a cada lado del panel frontal del chasis para sujetar el sistema al estante.

 **NOTA:** Utilice el pestillo amarillo de liberación del sistema siempre que desee retirar el sistema de los ensamblajes deslizantes.

## Instalación de la extensión para la administración de cables

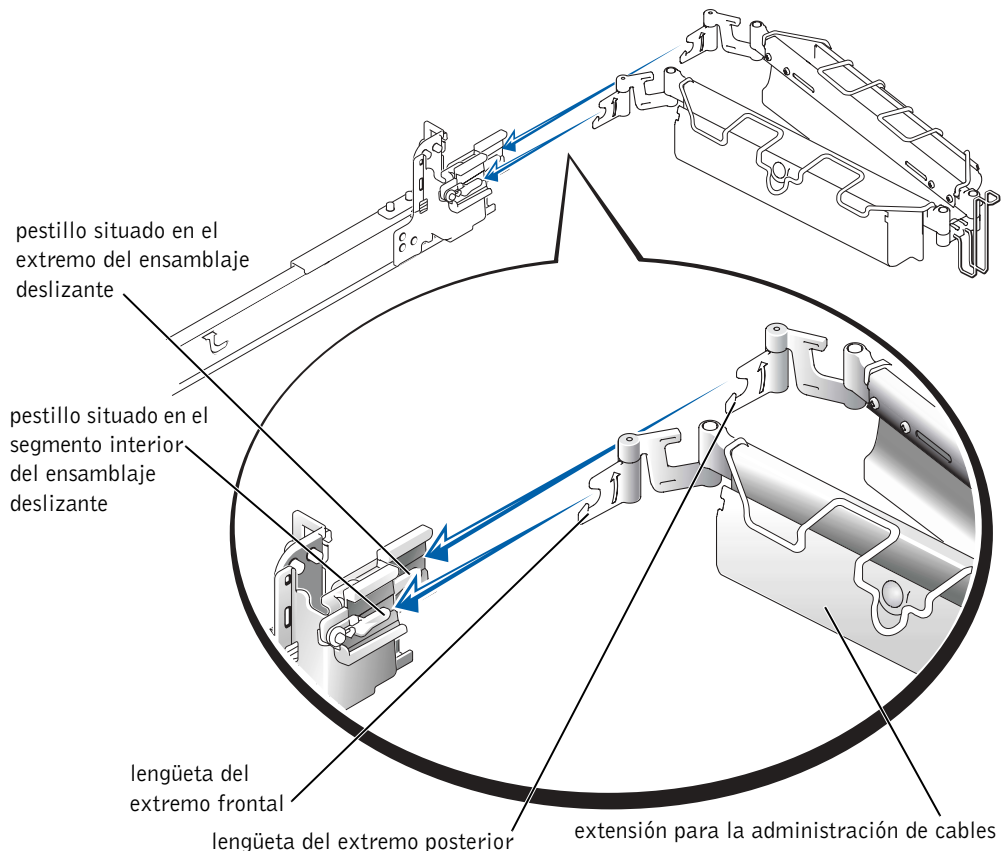
 **AVISO:** La extensión para la administración de cables sólo se puede instalar en el lado derecho del armario de estantes (visto desde la parte posterior).

Para instalar la extensión para la administración de cables en el sistema, siga estos pasos:

- 1 Sitúese frente a la parte posterior del armario de estantes y localice el pestillo del extremo del ensamblaje deslizante.
- 2 Presione la lengüeta del extremo posterior de la extensión para la administración de cables en el pestillo del extremo del ensamblaje deslizante (consulte la Figura 5-8).  
El pestillo emite un clic al encajar en su sitio.
- 3 Presione la lengüeta del extremo frontal de la extensión para la administración de cables en el pestillo correspondiente del segmento interno del ensamblaje deslizante (consulte la Figura 5-8).

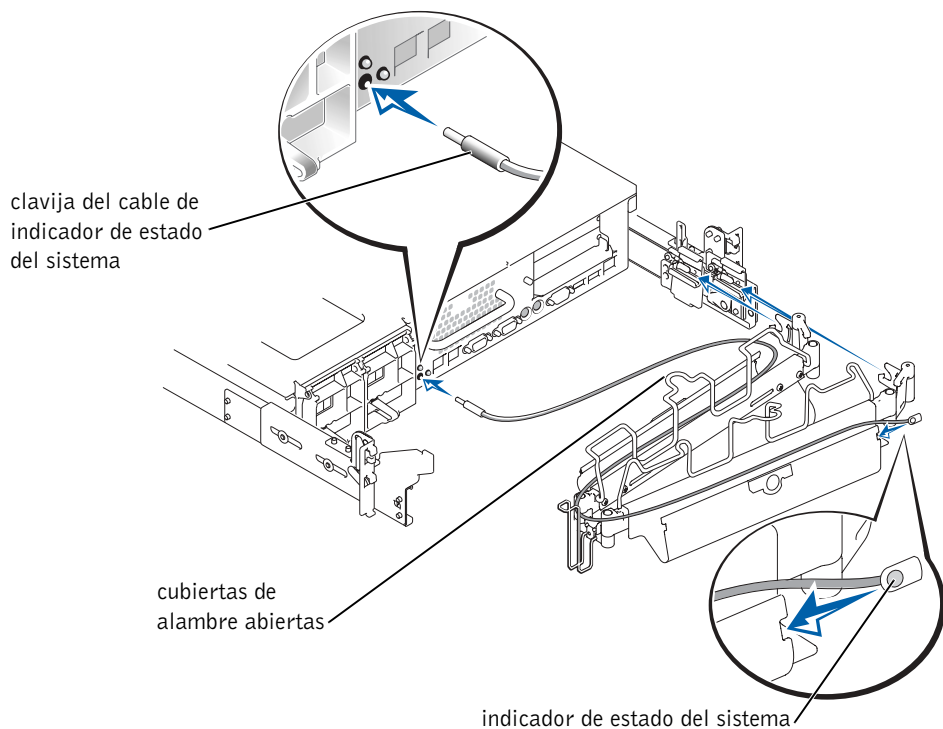
El pestillo emite un clic al encajar en su sitio.

**Figura 5-8. Instalación de la extensión para la administración de cables**

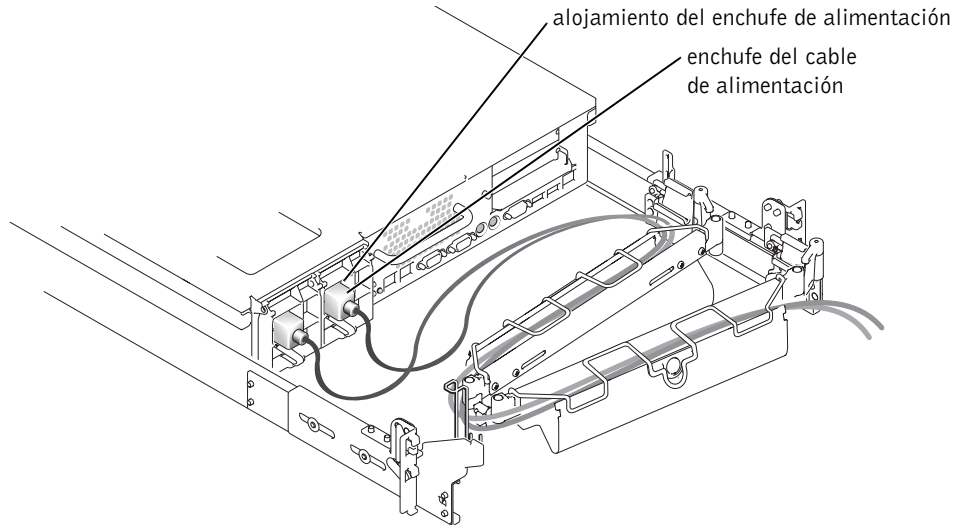


- 4** Instale el enchufe del cable de indicador de estado del sistema en su conector (consulte la Figura 5-9).
- 5** Abra las cubiertas de alambre de la extensión para la administración de cables levantando el centro del cable sobre la parte superior del botón circular repujado en la parte frontal delantera de la extensión y levantando el cable sobre la parte superior del botón circular similar situado en la parte posterior de la extensión.  
La cubierta de alambre se abre para permitir que los cables se tiendan en la extensión.
- 6** Canalice el extremo del indicador de estado del sistema del cable a través de la extensión para la administración de cables e instale el indicador en su ranura situada en la parte posterior de la extensión para la administración de cables (consulte la Figura 5-9).

**Figura 5-9. Instalación de la extensión para la administración de cables**



- 7** Conecte los cables de alimentación a sus receptáculos del panel posterior (consulte la Figura 5-10).

**Figura 5-10. Canalización de los cables de alimentación**

**⚠ PRECAUCIÓN:** Deje cierta holgura en cada cable conforme los canaliza alrededor de las bisagras de la extensión para la administración de cables.

### Canalización de cables

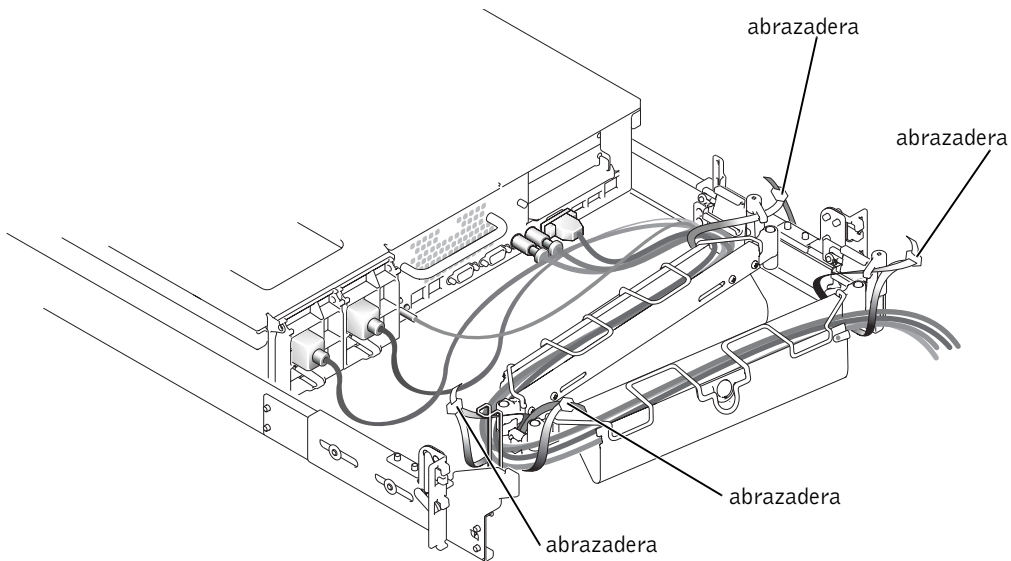
- 1 Conecte los conectores de cables de E/S a sus respectivos conectores situados en el panel posterior del sistema.  
Para obtener más detalles sobre las conexiones de cables, consulte la *Guía de instalación y solución de problemas* y la *Guía del usuario* de su sistema.
- 2 Canalice los cables de alimentación y de E/S a través de la extensión para la administración de cables. Para ello, utilice cuatro abrazaderas que tengan suficiente holgura (dos en el medio y una en cada extremo de la extensión para la administración de cables). No apriete completamente las abrazaderas (consulte la Figura 5-11).  
Deje que los cables queden algo flojos en la extensión para la administración de cables para evitar que se dañen.
- 3 Fije los cables en la extensión para la administración de cables:
  - a Después de conectar los cables al sistema, desenrosque los tornillos mariposa que sujetan la parte delantera del sistema al riel vertical delantero.
  - b Deslice el sistema hacia adelante hasta extraerlo completamente.

- c Canalice los cables a lo largo de la extensión para la administración de cables, realice los ajustes de holgura necesarios en los cables en las posiciones de las bisagras, fije los cables a la extensión para la administración de cables con las abrazaderas y cierre las cubiertas de alambre sobre la extensión para la administración de cables.

**NOTA:** Al extraer el sistema completamente, los ensamblajes deslizantes quedarán bloqueados. Para volver a introducir el sistema en el estante, presione el pestillo de liberación del lateral del ensamblaje deslizante y, a continuación, deslice el sistema completamente hasta el interior del estante.

- 4 Deslice el sistema dentro y fuera del estante para comprobar que los cables están correctamente canalizados y no quedan doblados, estirados o pinzados con el movimiento de la extensión para la administración de cables.
- 5 Apriete las abrazaderas lo suficiente para garantizar que la holgura permita que el cable no esté ni demasiado tenso ni demasiado suelto, sino que mantenga los cables en su sitio conforme el sistema se introduzca y se saque del estante.

**Figura 5-11. Canalización de cables**



## Colocación de las puertas del estante

Consulte los procedimientos para volver a colocar las puertas en la documentación suministrada con el estante.


 **PRECAUCIÓN: debido al tamaño y al peso de las puertas del armario de estantes, nunca debe intentar montarlas ni desmontarlas sin ayuda.**

Así queda completada la instalación del estante de su sistema en un armario de estantes de cuatro postes.

## Instalación de estante de dos postes

El kit de estante de dos postes se utiliza para instalar un sistema en un estante de relevo de estructura abierta de dos postes, como los que se encuentran en las instalaciones de equipos de telecomunicaciones. Es posible colocar los estantes de dos postes con una anchura de 3 y 6 pulgadas con una separación entre orificios universal. Puede instalar este kit en una configuración de montaje centrado o al ras. El kit de dos postes incorpora ensamblajes deslizantes que permiten la extracción del sistema del estante para su reparación.

Debe fijar de forma adecuada el estante de relevo de estructura abierta de dos postes al suelo, al techo o a la pared y, si procede, a otros estantes adyacentes, mediante dispositivos de fijación para el suelo y la pared especificados o aprobados por el fabricante del estante o por estándares del sector. Antes de iniciar la instalación, consulte la documentación de instalación de estantes de relevo de estructura abierta de dos postes del fabricante para consultar las advertencias de seguridad.

 **PRECAUCIÓN: No intente instalar el sistema en un estante de relevo de estructura abierta de dos postes que no se haya fijado en su ubicación de forma segura. Si no sigue esta precaución, puede dañar el sistema, sufrir lesiones corporales o provocar lesiones a terceros.**

Consulte la sección “PRECAUCIÓN: Instrucciones de seguridad”, situada al principio de este documento, para obtener información adicional sobre seguridad relacionada con la instalación del estante.



## Tareas de instalación del estante de dos postes

La instalación de un kit de estantes de dos postes incluye las siguientes tareas en el orden indicado:

- 1 Marcado del estante
- 2 Instalación de los ensamblajes deslizantes en el estante:
  - Montaje centrado
  - Montaje al ras
- 3 Instalación del sistema en el estante
- 4 Instalación de la extensión para la administración de cables
- 5 Canalización de cables

## Herramientas y suministros recomendados

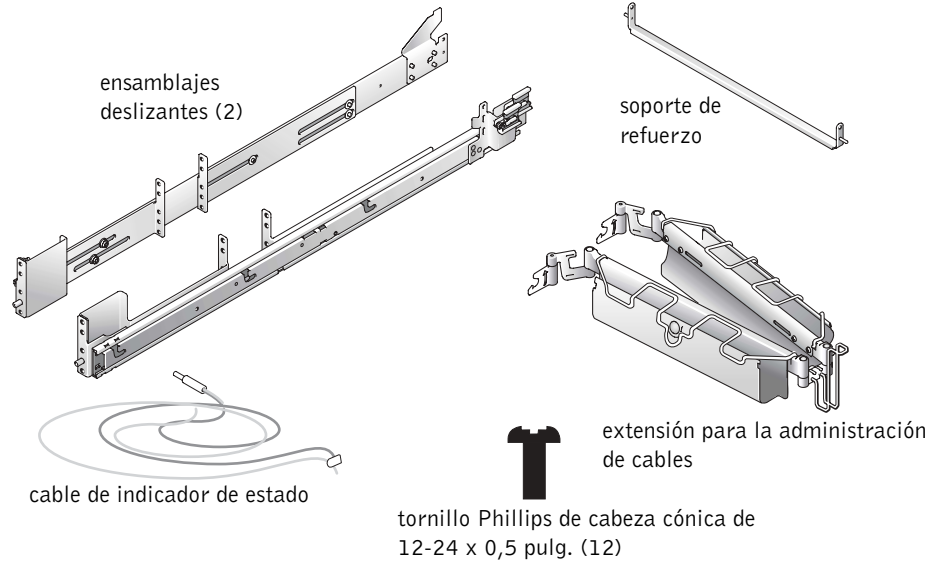
Para instalar el sistema en un estante de relevo de estructura abierta de dos postes necesita las herramientas y los suministros siguientes:

- Destornillador Phillips del n.º 2
- Llave de 11/32 pulgadas (si se cambia a una configuración de montaje al ras)
- Cinta adhesiva o rotulador de punta de fieltro para marcar los orificios de montaje

## Contenido del kit de estantes

El kit de estante de dos postes incluye los siguientes elementos (consulte la Figura 5-12):

- Un par de ensamblajes deslizantes (de dos postes)
- Un soporte de refuerzo
- Una extensión para la administración de cables
- Un cable de indicador de estado
- Doce tornillos Phillips de cabeza cónica de 12-24 x 0,5 pulgadas
- Abrazaderas (no mostradas en la Figura 5-12)

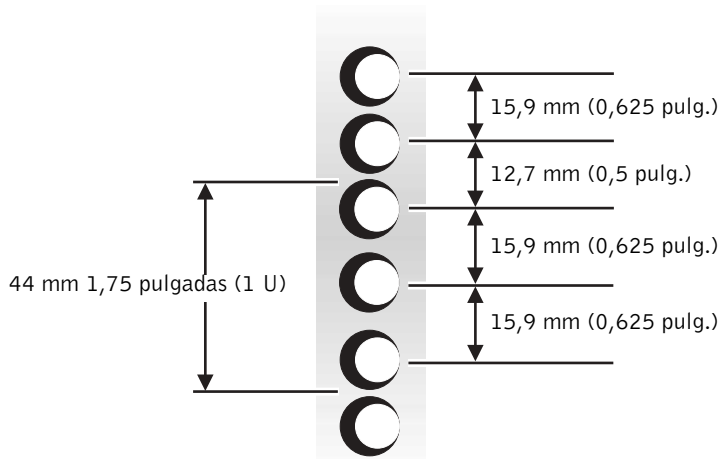
**Figura 5-12. Componentes del kit de estante de dos postes****Marcado del estante**

Debe dejar 2 U (88 mm o 3,5 pulgadas) de espacio vertical para cada sistema que monte en el estante de dos postes.

**Estantes con separación entre orificios universal**

Los estantes de dos postes estándar del sector con separación entre orificios universal tienen un patrón alterno de tres orificios por unidad de estante con un espacio entre orificio de centro a centro (comenzando en el orificio superior de un espacio de 1 U ) de 15,9 mm, 15,9 mm y 12,7 mm (0,625 pulgadas, 0,625 pulgadas y 0,5 pulgadas) para la columna vertical frontal y posterior de los orificios (consulte la Figura 5-13).

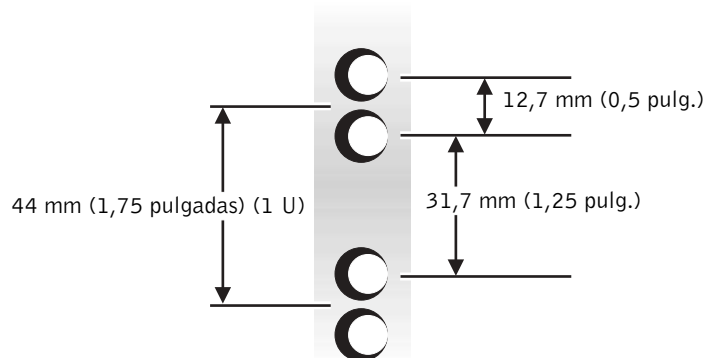
**Figura 5-13. Separación entre los orificios universal en un estante de relevo de estructura abierta de dos postes**



### **Estantes con separación entre orificios ancha**

Algunos estantes de dos postes con separación entre orificios ancha tienen un patrón alterno de dos orificios por unidad de estante con un espacio entre orificios de centro a centro (comenzando en el orificio superior de un espacio de 1 U) de 31,7 mm, 12,7 mm (1,25 pulgadas y 0,5 pulgadas) para la columna vertical frontal y posterior de los orificios (consulte la Figura 5-14).

**Figura 5-14. Separación entre los orificios ancha en un estante de relevo de estructura abierta de dos postes**



Para marcar el estante, realice los pasos siguientes:

- 1 Coloque una marca en los rieles verticales frontales del estante en los que desee colocar la parte inferior del sistema que está instalando en el estante de dos postes.

La parte inferior de cada espacio de 1 U se encuentra en el centro de la zona metálica más estrecha entre los orificios.

**NOTA:** Si su estante tiene una separación entre orificios ancha, vaya al paso 3.

- 2 Haga una marca 88 milímetros (3,5 pulgadas) por encima de la marca original realizada o cuente seis orificios en un estante con separación entre orificios universal (consulte la Figura 5-13).

Cada 1 U (44 mm o 1,75 pulgadas) de espacio vertical en un estante con separación entre orificios universal tiene tres orificios con separación de centro a centro entre orificios (empezando por la parte superior de un espacio de 1U) de 0,625, 0,625 y 0,5 pulgadas (consulte la Figura 5-13).


**NOTA:** Si su estante tiene una separación entre orificios universal, el procedimiento de marcaje del estante ha finalizado.

- 3 Haga una marca de 88 milímetros (3,5 pulgadas) por encima de la marca original realizada o cuente cuatro orificios en un estante con separación entre orificios ancha (consulte la Figura 5-14).

Cada 1 U (44 mm, o 1,75 pulgadas) de espacio vertical en un estante con una separación entre orificios ancha tiene dos orificios con separación de centro a centro entre los orificios (empezando por la parte superior de un espacio de 1 U) de 31,7 mm (1,25 pulgadas) (consulte la Figura 5-14).

## Instalación de los ensamblajes deslizantes en el estante

Puede instalar los ensamblajes deslizantes en un estante de relevo de estructura abierta de dos postes con separación entre orificios universal (consulte la Figura 5-13) o con separación entre orificios ancha (consulte la Figura 5-14). Puede instalar los ensamblajes deslizantes de 2 U en una configuración de montaje centrado o al ras.

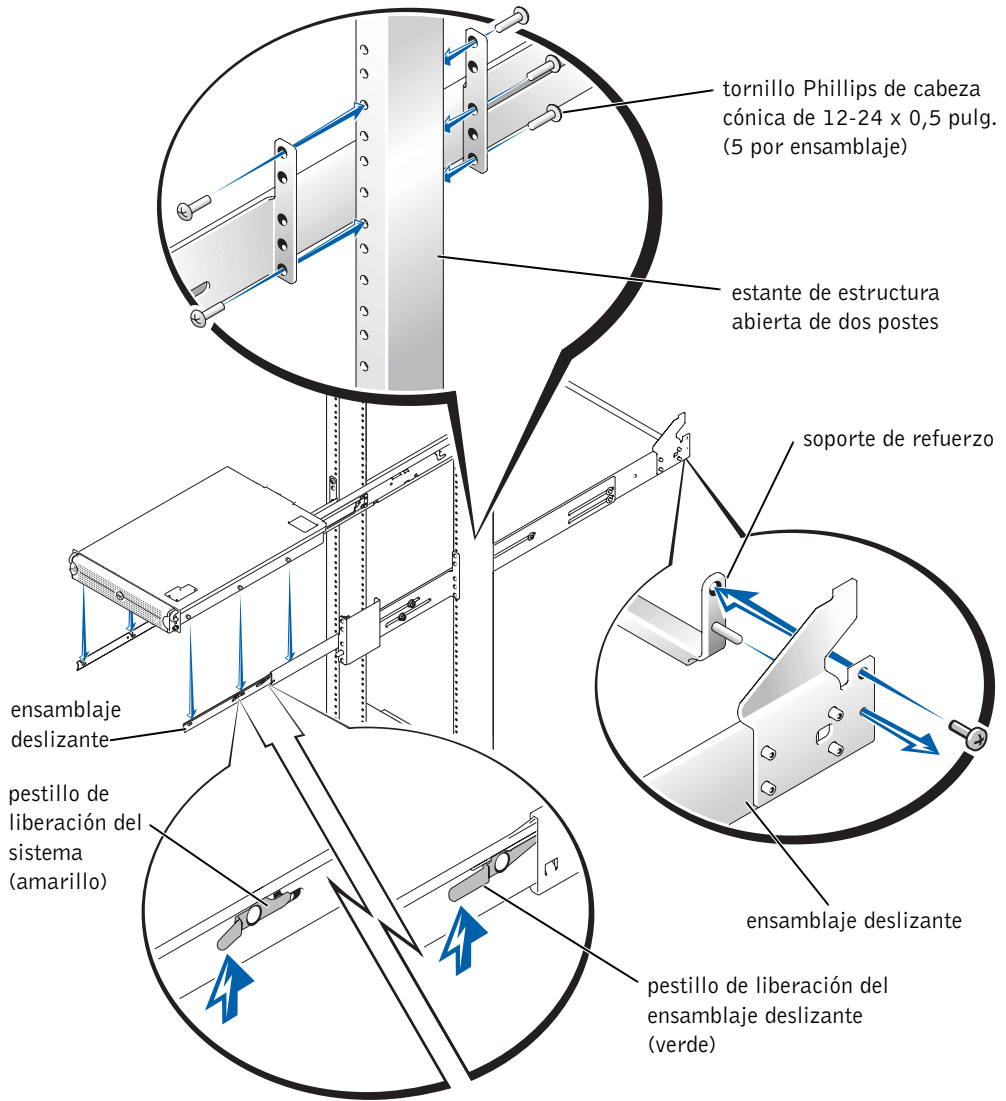
 **PRECAUCIÓN: No intente instalar otro sistema utilizando este kit de estante. Utilice únicamente el kit de estante diseñado para su sistema. Si utiliza un kit de estante para otro sistema, pueden causarse daños en el sistema, sufrir lesiones corporales o provocar lesiones a terceros.**

### Montaje centrado

El kit de estante de dos postes se entrega con los soportes configurados para el montaje centrado. Para completar la instalación, realice los pasos siguientes:

- 1 Localice el ensamblaje deslizante derecho y presione el soporte posterior hacia la parte posterior del ensamblaje (consulte la Figura 5-15).
- 2 Coloque el ensamblaje deslizante derecho en el punto marcado en el estante de dos postes, presione el soporte posterior hacia adelante contra el estante vertical de dos postes, fije los soportes de montaje centrado frontal y posterior con dos tornillos Phillips de cabeza cónica de 12-24 x 0,5 pulgadas y fije el soporte de montaje centrado posterior al estante con tres tornillos Phillips de cabeza cónica de 12-24 x 0,5 pulgadas (consulte la Figura 5-15).
- 3 Repita los pasos 1 y 2 para instalar el ensamblaje deslizante izquierdo en el estante.
- 4 Instale el soporte de refuerzo entre los extremos posteriores de los ensamblajes deslizantes y fije el soporte con un tornillo Phillips de cabeza cónica de 12-24 x 0,5 pulgadas en cada ensamblaje deslizante (consulte la Figura 5-15).

**Figura 5-15. Instalación de los ensamblajes deslizantes para una configuración de montaje centrado**



## Montaje al ras

El kit de estante de dos postes se entrega con los soportes configurados para el montaje centrado. Para preparar los ensamblajes deslizantes para el montaje al ras en el estante de dos postes, siga estos pasos:

- 1 Localice los dos ensamblajes deslizantes y colóquelos, uno al lado del otro, en una superficie lisa, con los extremos frontales hacia sí. Coloque ambos ensamblajes deslizantes de forma que los soportes centrales queden hacia arriba (consulte la Figura 5-16).

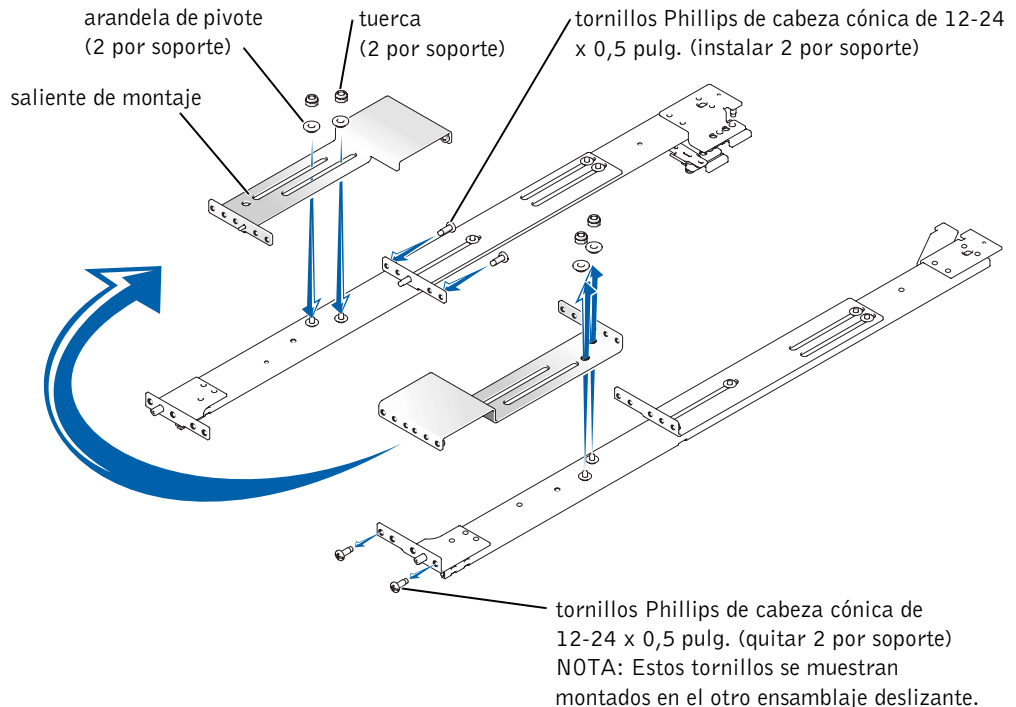


**NOTA:** Para preparar los ensamblajes deslizantes para el montaje al ras, retire el soporte de montaje frontal, gírelo 180 grados y vuelva a colocarlo en el ensamblaje deslizante opuesto.

- 2 Con un destornillador Phillips del n.º 2 y una llave de 11/32 pulgadas, quite los dos tornillos Phillips de cabeza cónica de 12-24 x 0,5 pulgadas, las dos tuercas y las dos arandelas de pivote de cada soporte central (consulte la Figura 5-16).
- 3 Retire el soporte frontal de ambos ensamblajes deslizantes.
- 4 Coloque el soporte de uno de los ensamblajes deslizantes en los tornillos roscados del ensamblaje deslizante opuesto, con el soporte girado 180 grados, de modo que el saliente de montaje quede hacia delante (consulte la Figura 5-16).
- 5 Fije cada soporte de montaje centrado frontal (con sus tuercas y arandelas de pivote) apretándolos con el dedo en sus ensamblajes deslizantes opuestos utilizando las dos arandelas de pivote y las dos tuercas retiradas en el paso 2 (consulte la Figura 5-16).

El soporte unido se convierte en el nuevo soporte posterior extendido.

**Figura 5-16. Rotación del soporte de montaje frontal para el montaje al ras**

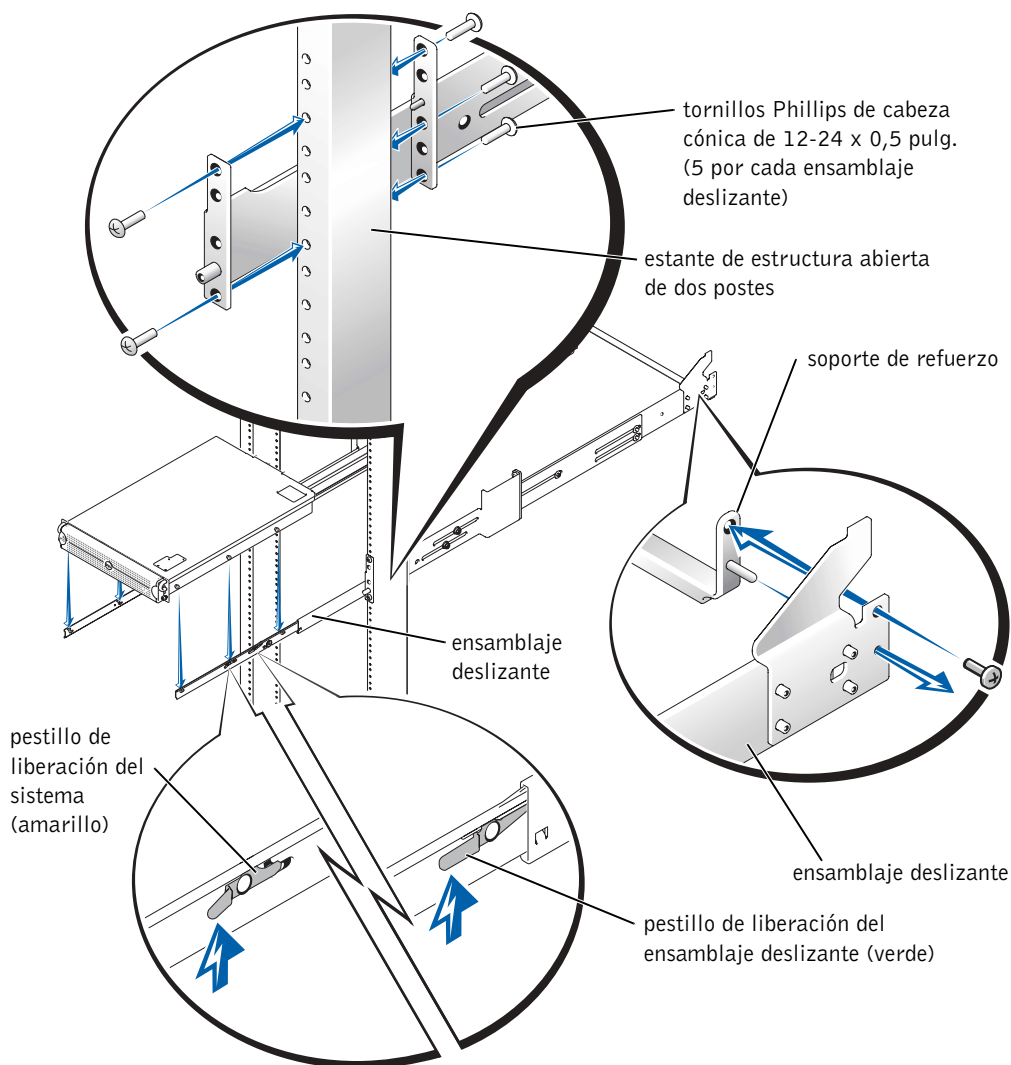


- 6** Repita los pasos 4 y 5 para configurar el otro ensamblaje deslizante.
- 7** Sujetando el ensamblaje deslizante izquierdo en su sitio en el punto marcado en el estante de dos postes, ajuste el soporte posterior extendido contra el estante vertical de dos postes y fíjelo con tres tornillos Phillips de cabeza cónica de 12-24 x 0,5 pulgadas (consulte la Figura 5-17).
- 8** Fije el soporte frontal del ensamblaje deslizante al riel de dos postes con dos tornillos Phillips de cabeza cónica de 12-24 x 0,5 pulgadas (consulte la Figura 5-17).
- 9** Realice los pasos 7 y 8 para instalar el ensamblaje deslizante derecho en el estante.
- 10** Utilice una llave o un destornillador para tuercas hexagonales de 11/32 pulgadas para apretar firmemente las tuercas de los soportes de montaje de ambos ensamblajes deslizantes que antes apretó con los dedos.





- 11** Instale el soporte de refuerzo entre los extremos posteriores de los ensamblajes deslizantes y fije el soporte con un tornillo Phillips de cabeza cónica de 12-24 x 0,5 pulgadas en cada ensamblaje deslizante (consulte la Figura 5-17).

**Figura 5-17. Instalación de los ensamblajes deslizantes para una configuración de montaje al ras**




## Instalación del sistema en el estante

 **PRECAUCIÓN:** Debido al tamaño y el peso del sistema, no intente nunca instalarlo sin ayuda.

 **NOTA:** El procedimiento para instalar un sistema en un estante es idéntico tanto para los ensamblajes deslizantes de montaje al ras como de montaje centrado.

**1** Extraiga completamente los ensamblajes deslizantes.

 **PRECAUCIÓN:** Debido al tamaño y al peso del sistema, no intente nunca instalarlo en los ensamblajes deslizantes sin ayuda.

**2** Levante el sistema hasta que quede en su sitio (consulte la Figura 5-17).

**3** Coloque una mano en la parte inferior delantera del sistema y la otra en la parte inferior trasera.

**4** Incline la parte posterior del sistema hacia abajo mientras alinea los tornillos de pivote posteriores situados en los laterales del sistema con las ranuras posteriores de los ensamblajes deslizantes.


**5** Coloque los tornillos de pivote posteriores en sus ranuras.

**6** Baje la parte frontal del sistema y coloque los tornillos de pivote frontal y central en sus ranuras (la ranura central está justo detrás del pestillo amarillo de liberación del sistema) (consulte la Figura 5-17).

Cuando estén correctamente colocados todos los tornillos de pivote, el pestillo amarillo de cada ensamblaje deslizante bloquea el sistema en el ensamblaje con un clic.

**7** Presione el pestillo de liberación verde del ensamblaje deslizante situado en el lateral de cada ensamblaje deslizante para deslizar el sistema completamente hacia el interior del estante (consulte la Figura 5-17).

**8** Apriete los tornillos mariposa cautivos en cada lado del panel frontal del chasis para sujetar el sistema al estante.

 **NOTA:** Utilice este pestillo amarillo de liberación del sistema siempre que desee retirar el sistema de los ensamblajes deslizantes.

## **Instalación de la extensión para la administración de cables**

Consulte el apartado "Instalación de la extensión para la administración de cables" en la sección "Instalación de estante de cuatro postes" que aparece anteriormente en este documento.

## **Canalización de cables**

Consulte el apartado "Canalización de cables" en la sección "Instalación de estante de cuatro postes" que aparece anteriormente en este documento.

Ha completado la instalación del kit de estante en un estante de dos postes.



# Índice

## C

cables, 5-19  
canalización de cables, 5-18,  
5-31  
contenido enumerado  
  kit de dos postes, 5-21  
  kit RapidRails, 5-5  
  kit VersaRails, 5-5

## E

extensión para administración  
  de cables  
  canalizar cables, 5-19, 5-31  
  instalar, 5-15, 5-31

## H

herramientas  
  kits de cuatro postes, 5-4  
  kits de dos postes, 5-21

## I

instalación  
  ensamblajes deslizantes de dos  
  postes, 5-25  
  ensamblajes deslizantes  
  RapidRails, 5-9

ensamblajes deslizantes  
  VersaRails, 5-11  
  extensión para administración  
  de cables, 5-31  
instalación del sistema  
  estante de dos postes, 5-30  
instalación en estante  
  sistema, 5-13, 5-14  
instrucciones de  
  seguridad, 5-1

## K

kit de cuatro postes  
  canalizar cables, 5-18  
  contenido del kit  
  RapidRails, 5-5  
  contenido del kit  
  VersaRails, 5-5  
ensamblajes deslizantes  
  RapidRails, 5-9  
ensamblajes deslizantes  
  VersaRails, 5-11  
herramientas, 5-4  
instalar extensión para  
  administración de  
  cables, 5-15  
instalar sistema, 5-13  
marcar estante, 5-7  
tareas, 5-6

kit de dos postes  
  canalizar cables, 5-31  
  contenido, 5-21  
  herramientas, 5-21  
  instalar ensamblajes  
  deslizantes, 5-25  
  instalar extensión para  
  administración de  
  cables, 5-31  
  instalar sistema, 5-30  
  marcar estante, 5-22  
  montaje al ras, 5-27  
  montaje centrado, 5-25  
  soporte de refuerzo, 5-21,  
  5-29  
  tareas, 5-21

kit, contenido  
  RapidRails, 5-5  
  VersaRails, 5-6

## M

marcado del estante  
  kit de dos postes, 5-22  
  kits de cuatro postes, 5-7

## **P**

- patas estabilizadoras para el estante, 5-4
- precauciones para el montaje del estante, 5-3
- puertas
  - colocar, 5-20
  - desmontar, 5-6

## **R**

- RapidRails, contenido del kit, 5-5
- rieles verticales
  - marcar, 5-7
  - una unidad de estante, 5-7

## **S**

- sistema, instalar
  - estante de cuatro postes, 5-13
- soporte de refuerzo, 5-21
  - instalar, 5-25, 5-29

## **T**

- tareas
  - kit de cuatro postes, 5-6
  - kit de dos postes, 5-21

## **U**

- unidad de estante, 5-7

## **V**

- VersaRails, contenido del kit, 5-5
- VersaRails, requisitos del estante, 5-3





Printed in the U.S.A.  
Imprimé aux Etats-Unis.  
Gedruckt in U.S.A.  
Impreso en EE.UU.



07W2 26A00

P/N 7W226 Rev. A00

